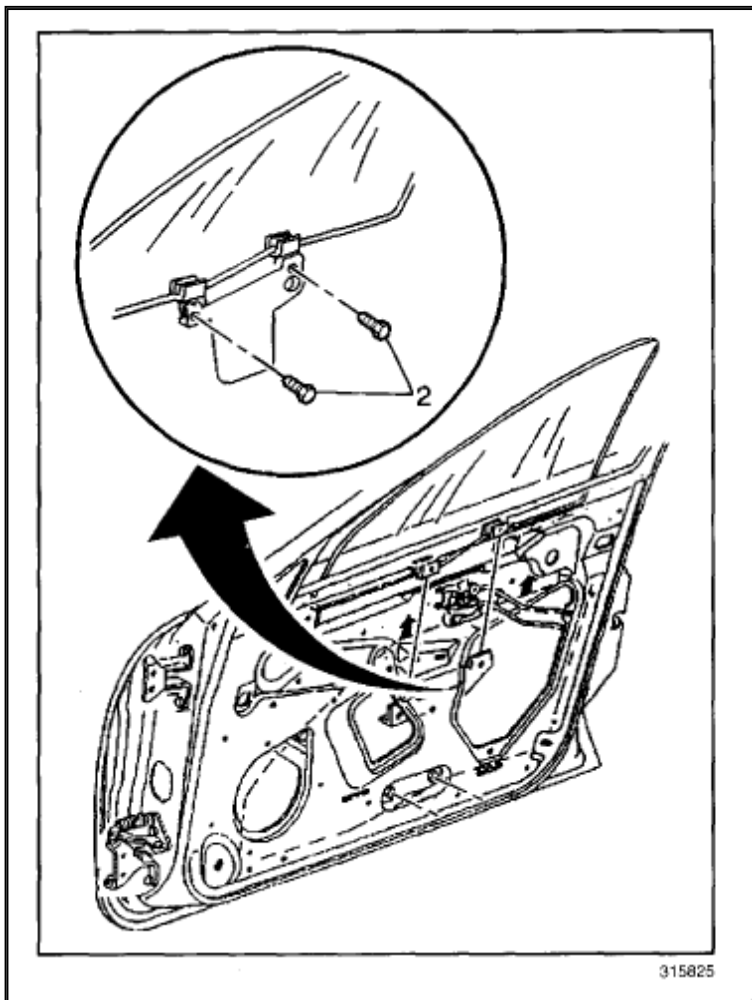


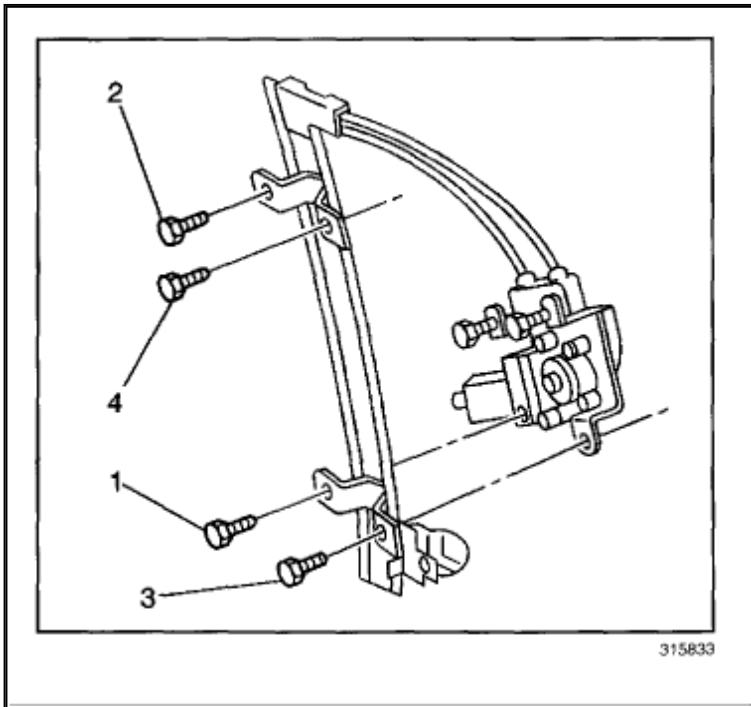
1999 Buick Century V6-3100 3.1L VIN M SFI[Vehicle Level](#) → [Windows and Glass](#) → [Front Door Window Regulator](#) → [Service and Repair](#) ←**Service and Repair**[Notes](#)**REMOVAL PROCEDURE**

Zoom

Sized for Print

1. Remove the trim panel.
2. Remove the water deflector.
3. Raise the window far enough in order to gain access through the door inner panel to the window to regulator bolts (2).
4. Remove the window to regulator bolts.
5. Raise the window to the full up position.

6. Tape the window in the full up position.
7. Disconnect the electrical connector.

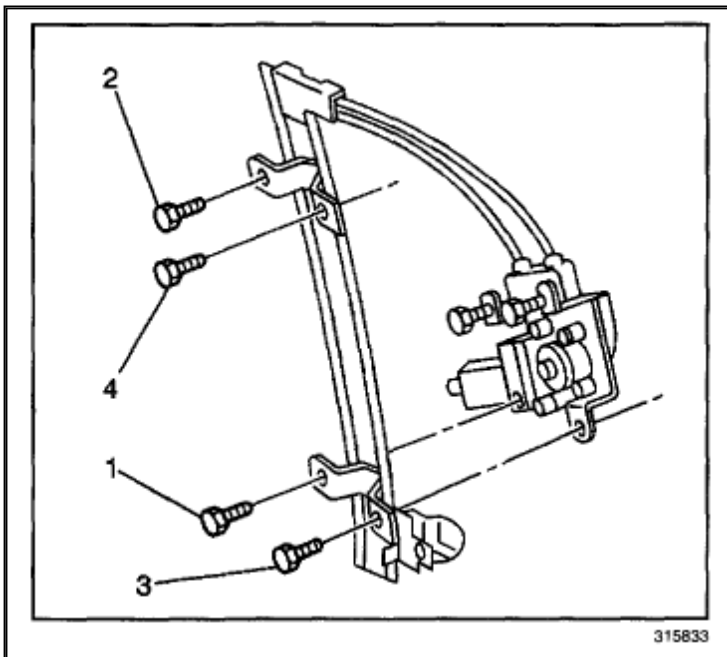


Zoom

Sized for Print

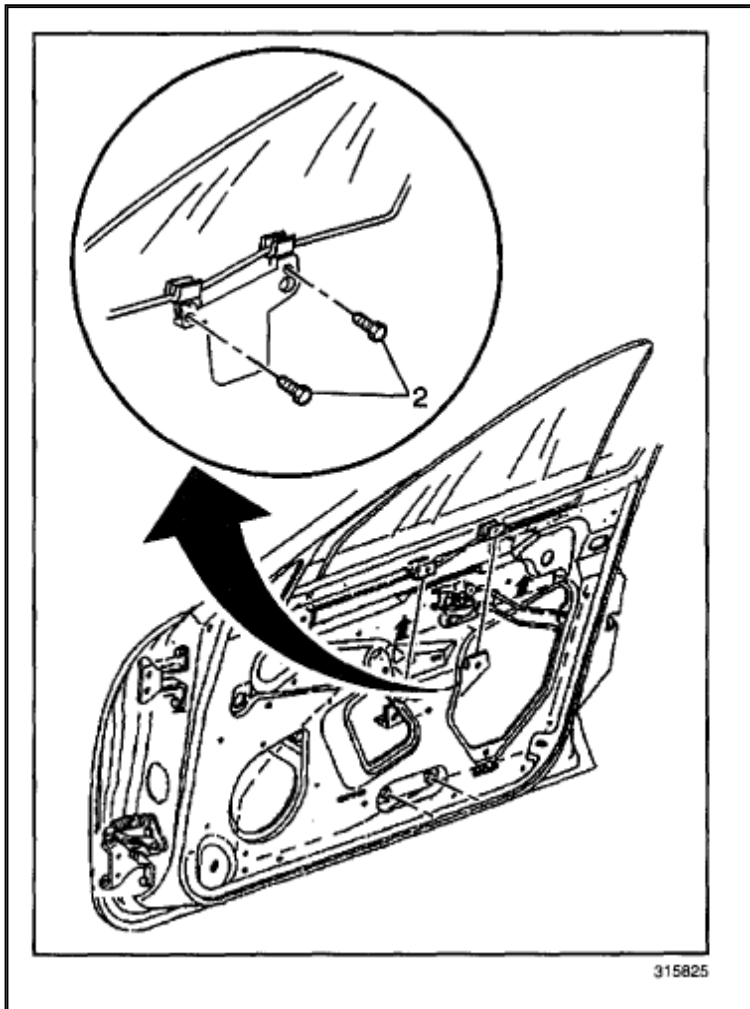
8. Remove the regulator mounting bolts (1,2,3,4).
9. Remove the regulator from the door.

INSTALLATION PROCEDURE



[Zoom](#)[Sized for Print](#)

1. Install the regulator to the door. **NOTE:** Refer to Fastener Notice in Service Precautions. **IMPORTANT:** In order to ensure proper orientation of the window regulator to the door, tighten the window regulator bolts in the specified sequence (1,2,3,4).
2. Install the regulator mounting bolts. **Tighten** Tighten the window regulator bolts to **10 N.m (89 lb in)**.
3. Install the electrical connector.
4. Remove the tape.
5. Lower the window far enough in order to gain access through the door inner panel for the bolts.

[Zoom](#)[Sized for Print](#)

6. Install the window to regulator bolts (2). **Tighten** Tighten the window to regulator bolts to **10 N.m (89 lb in)**.
7. Install the water deflector.
8. Install the trim panel.

© 2010 ALLDATA LLC. All rights reserved.
[Terms of Use](#)