

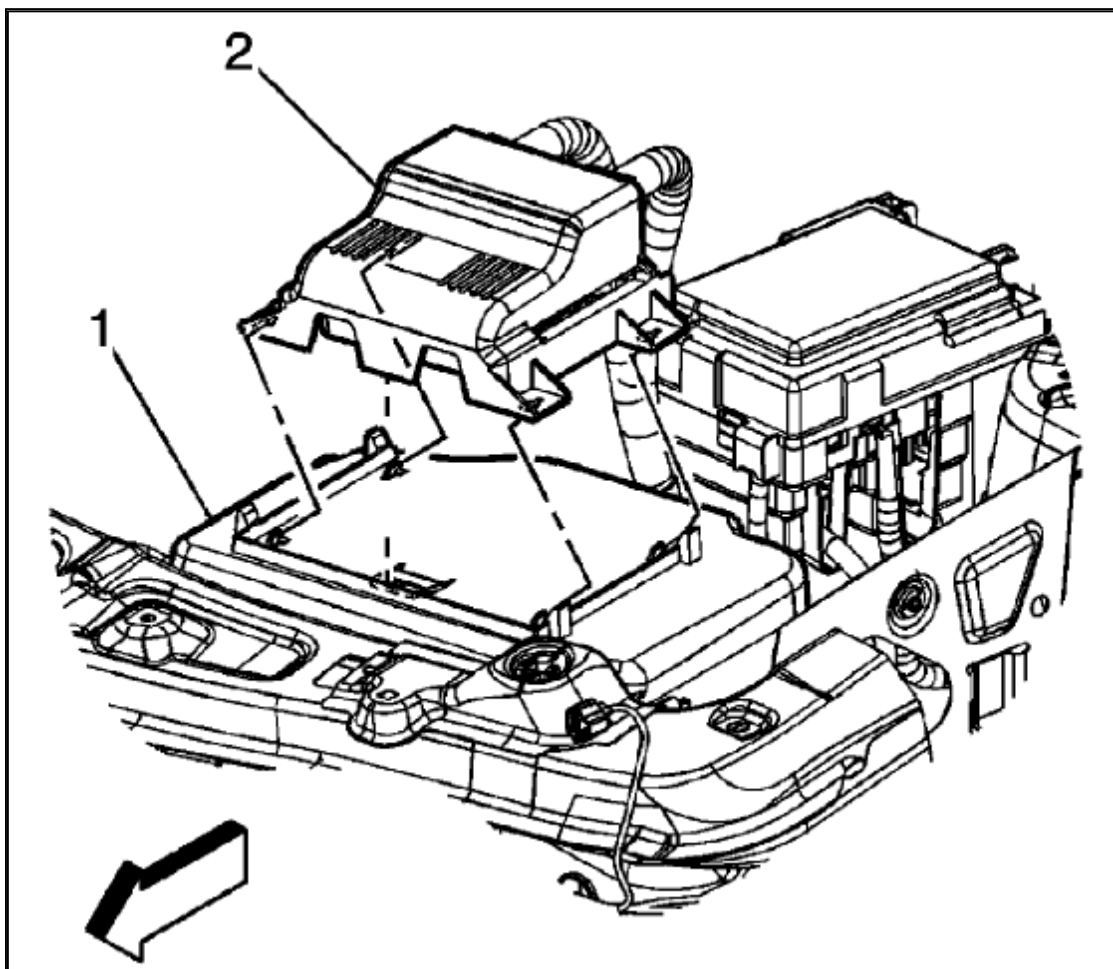
**2007 Suzuki Truck XL-7 2WD V6-3.6L**

Vehicle Level → Starting and Charging → Battery → Service and Repair → Removal and Replacement ←

**Removal and Replacement**

[Notes](#)

**Battery Replacement**

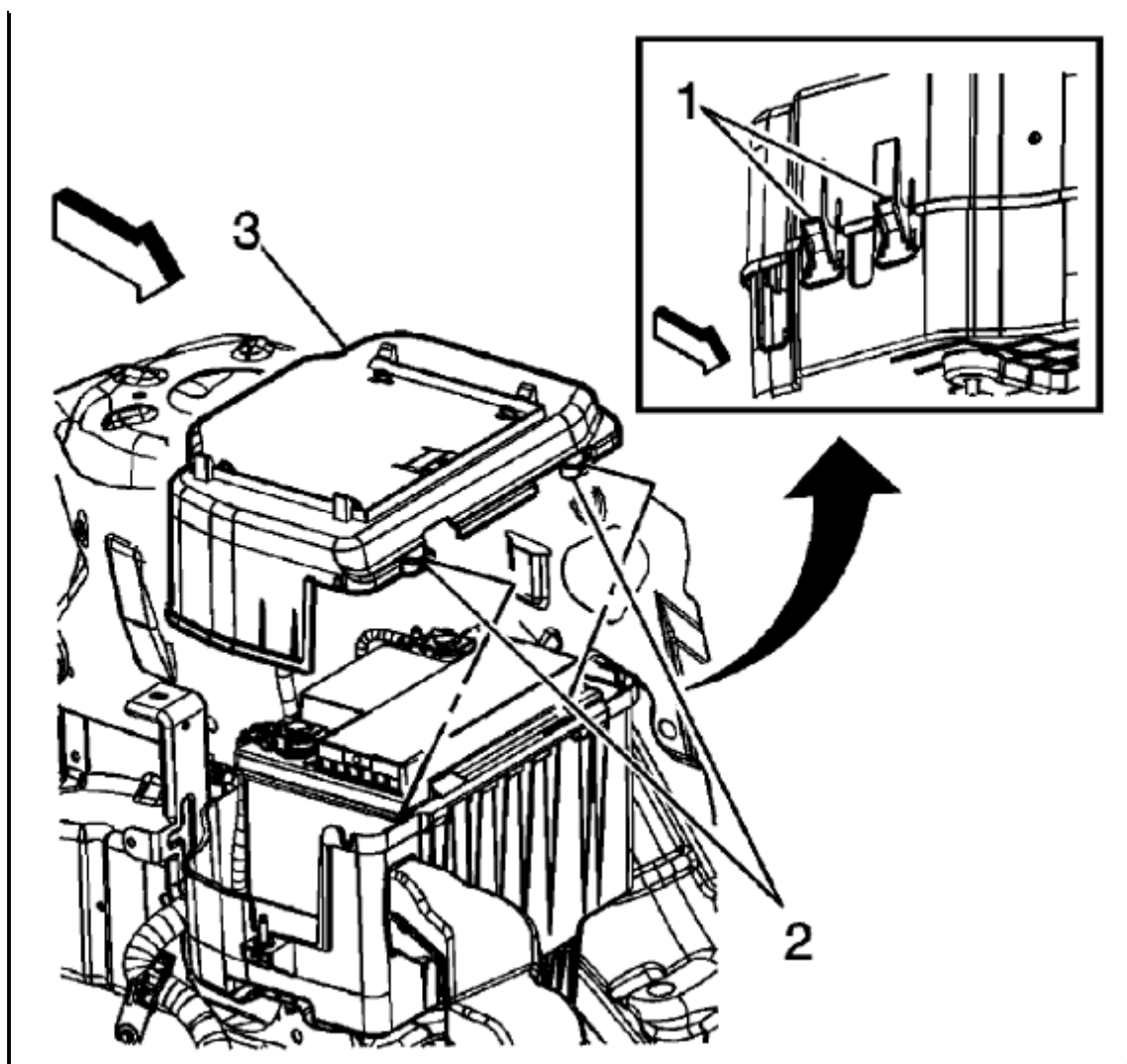


Zoom

Sized for Print

**Removal Procedure**



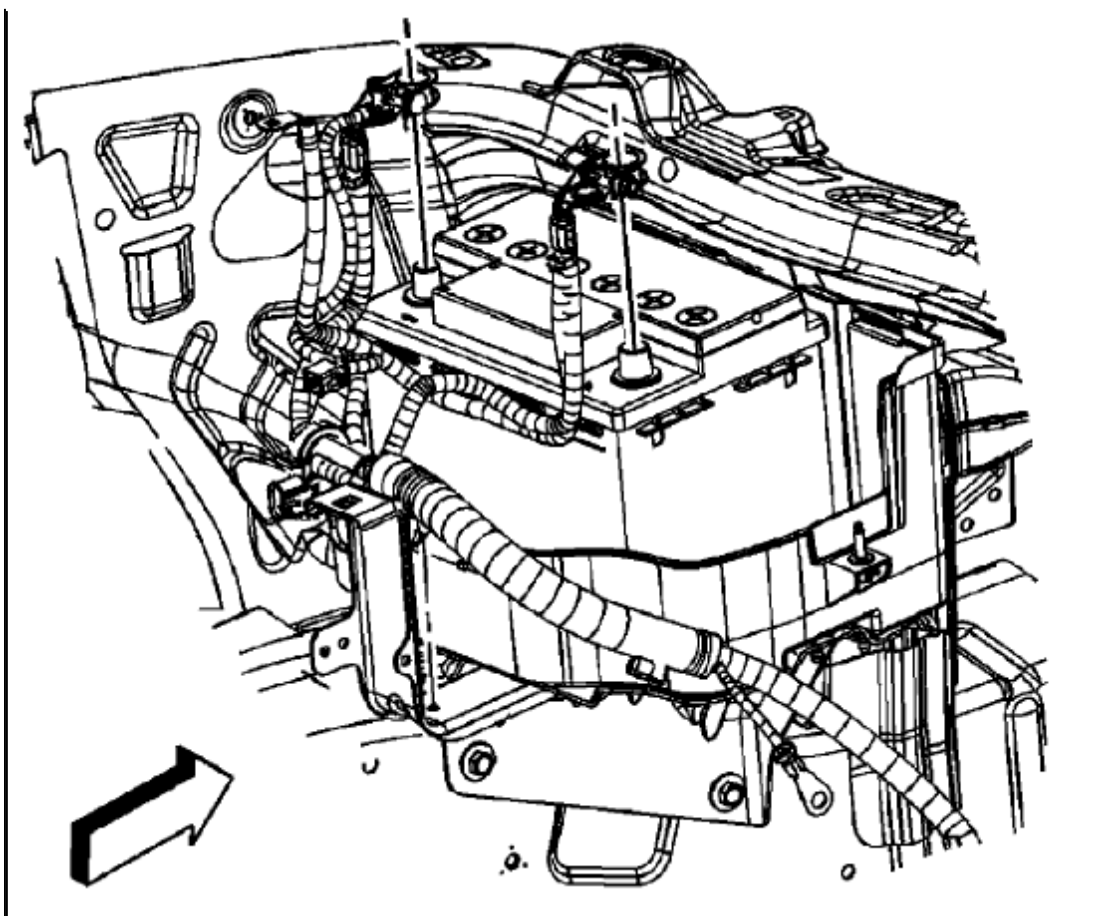


Zoom

Sized for Print

1. Remove the powertrain control module (PCM) (2) from the battery box cover (1) and relocate to the side.
2. Release the locking tab (1) on the side of the battery box.
3. Release the alignment tabs (2) on the front of the battery box.



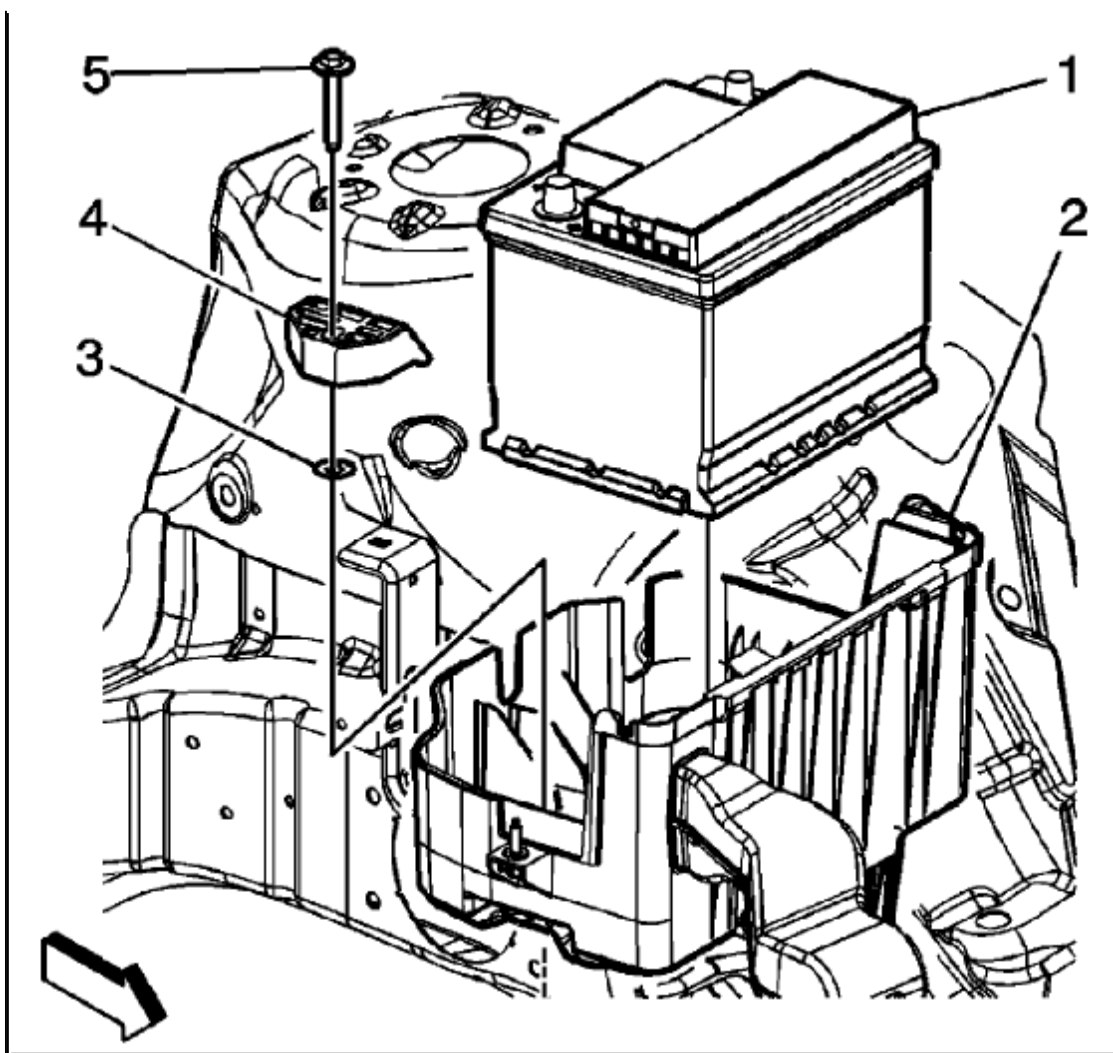


Zoom

Sized for Print

4. Remove the battery box lid (3).



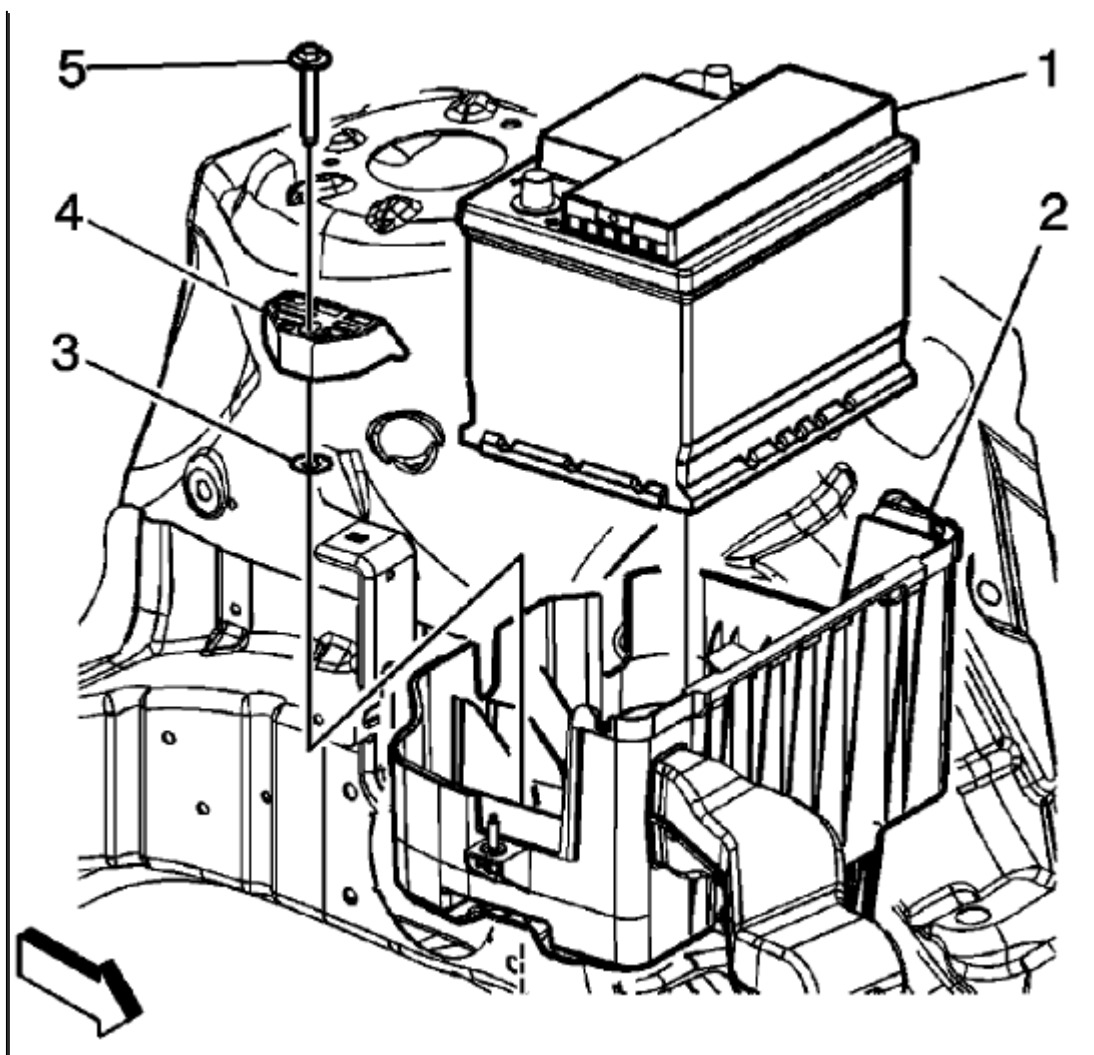


Zoom

Sized for Print

5. Disconnect the positive and negative [battery cables](#). Refer to [Battery Negative Cable Disconnection and Connection].
6. Remove the battery hold down bolt (5), battery hold down (4), and washer (3).
7. Remove the battery (1).





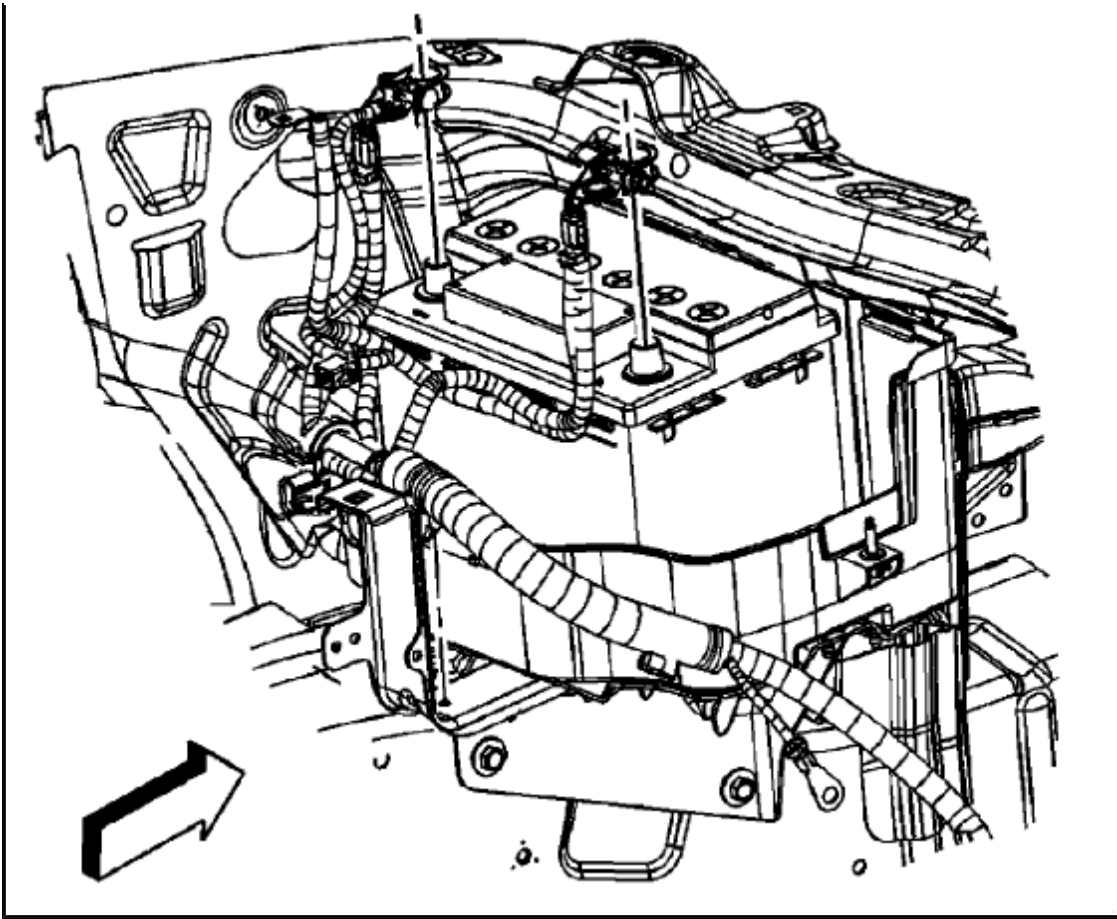
Zoom

Sized for Print

### Installation Procedure

1. Position the battery (1) in the battery box (2).
2. Install the washer (3) and battery hold down (4). **CAUTION: Refer to [Fastener Notice].**



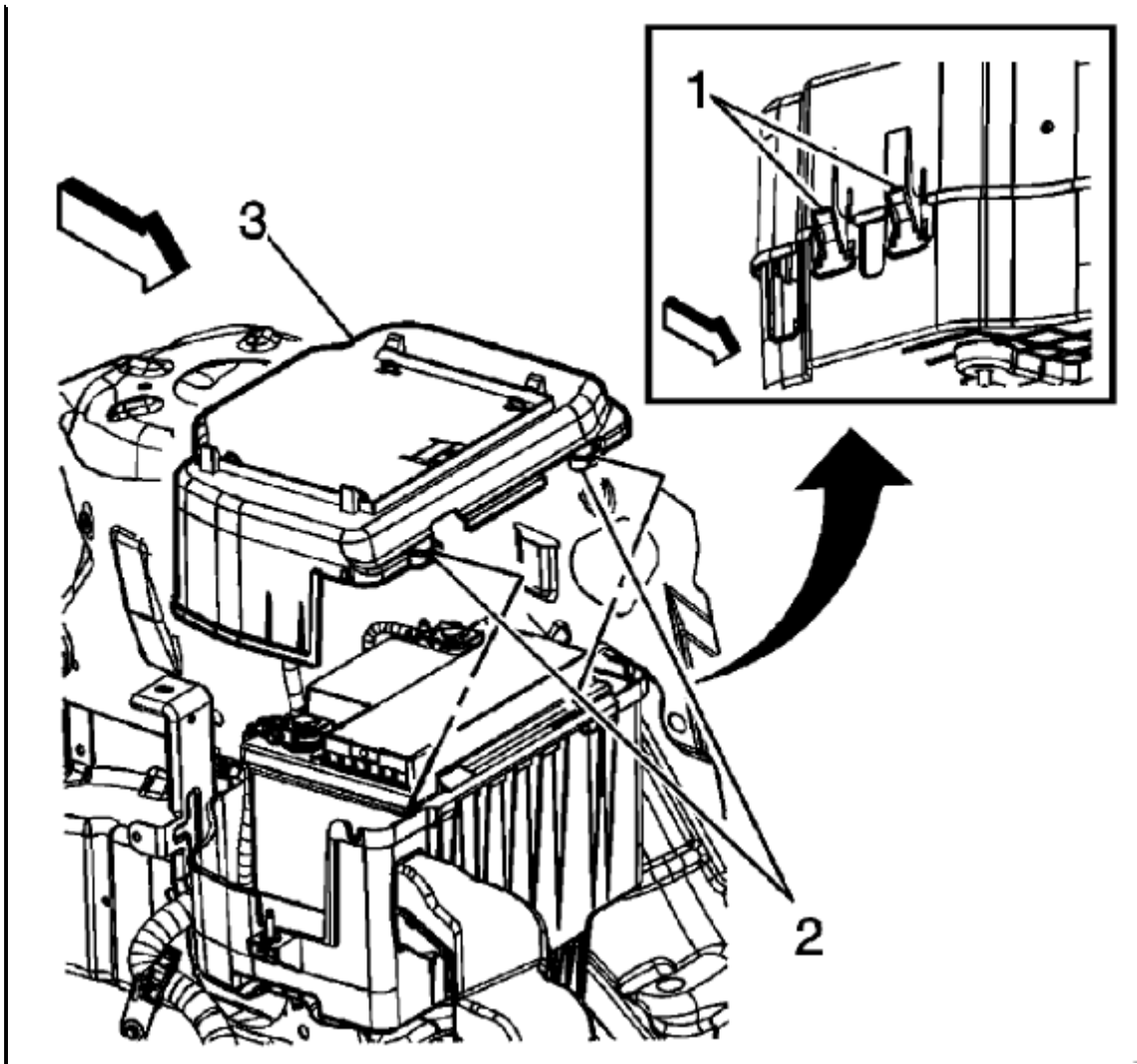


Zoom

Sized for Print

3. Install the hold down bolt (5). **Tightening torque** Tighten the hold down bolt to **15 N.m (11 lb.ft)** .



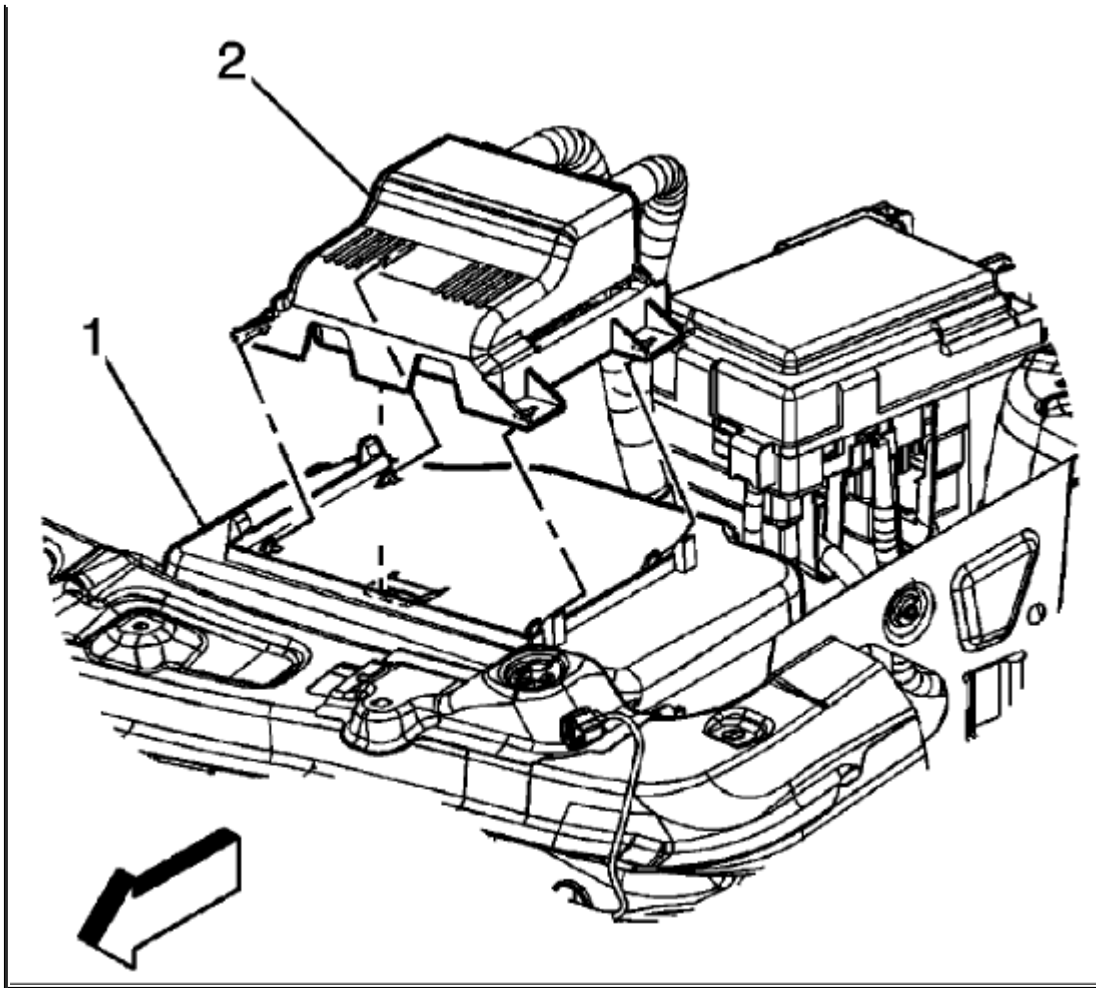


Zoom

Sized for Print

4. Install the positive and negative [battery cables](#). Refer to [Battery Negative Cable Disconnection and Connection].
5. Position the battery lid (3) so that the alignment tabs (2) are in position.





Zoom

Sized for Print

6. Lock the locking tabs (1) on the side of the battery box.
7. Install the PCM (2) on the battery box cover (1).

© 2010 ALLDATA LLC. All rights reserved.  
[Terms of Use](#)