

2001 Lincoln Town Car V8-4.6L VIN W

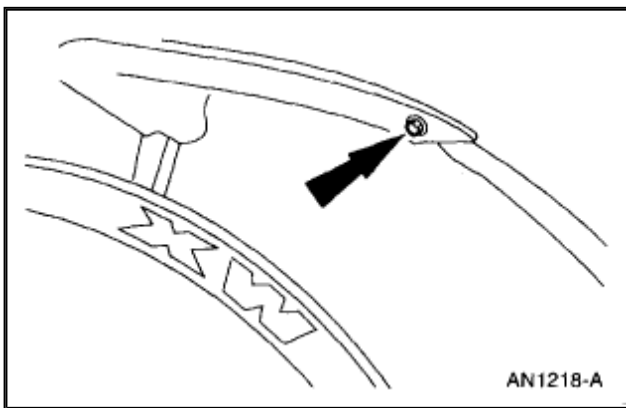
[Vehicle Level](#) → [Body and Frame](#) → [Bumper](#) → [Rear Bumper Cover / Fascia](#) → [Service and Repair](#) ←

Service and Repair

[Notes](#)

**BUMPER - REAR BUMPER, COVER - ISOLATOR**

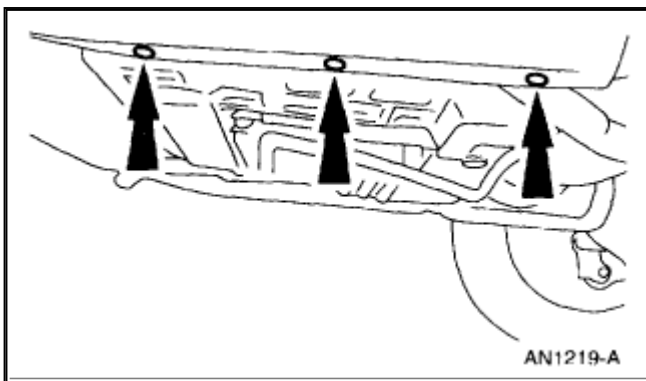
**Removal**



Zoom

Sized for Print

1. Remove the screw from each side.



Zoom

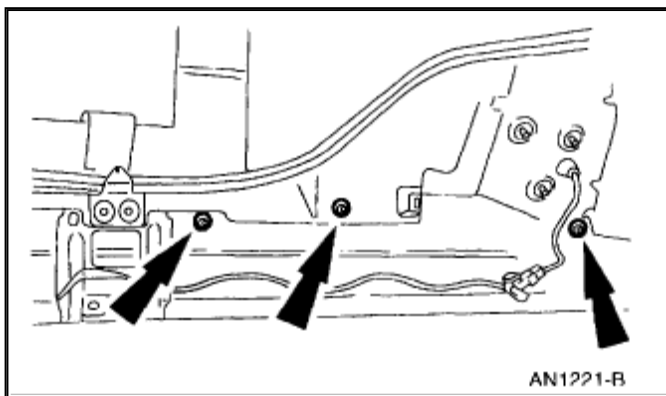
Sized for Print

2. Remove the three pushpins from each side.

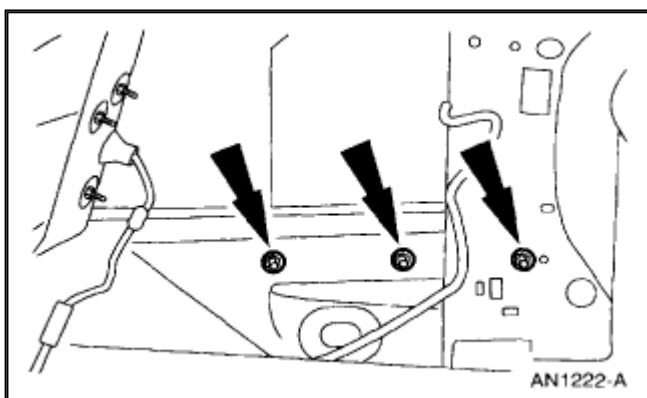


[Zoom](#)[Sized for Print](#)

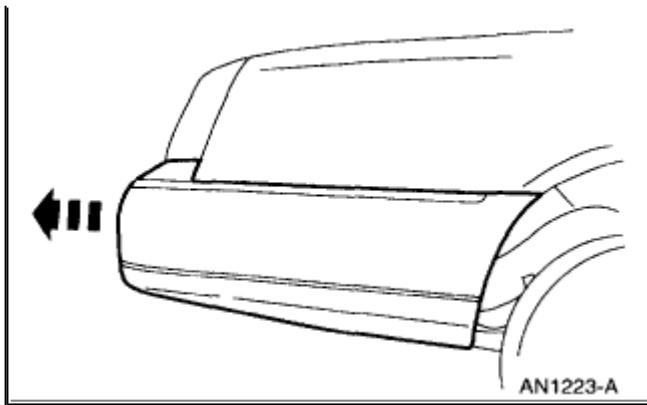
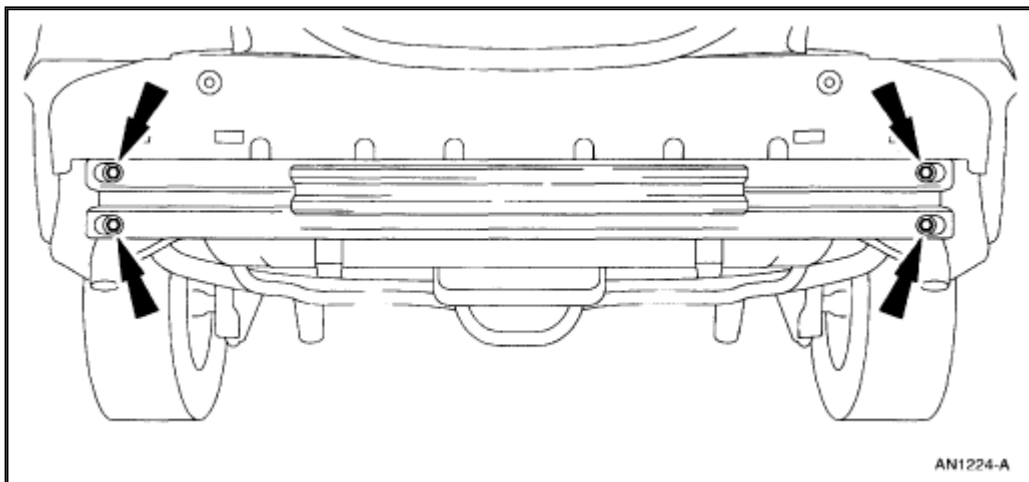
3. Remove the bolts.
4. Remove the RH and LH luggage compartment trim.

[Zoom](#)[Sized for Print](#)

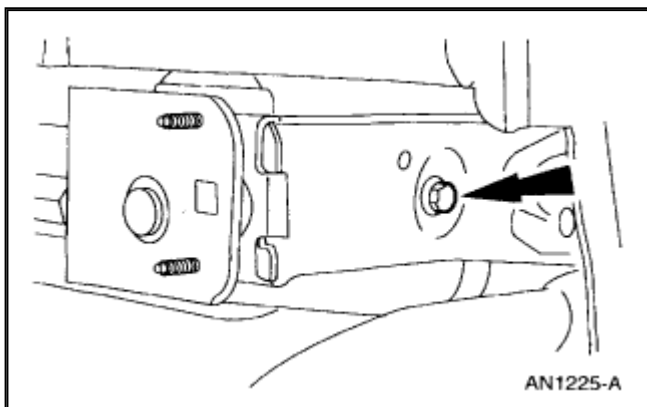
5. Remove the three nuts from each side.

[Zoom](#)[Sized for Print](#)

6. Remove the three nuts.

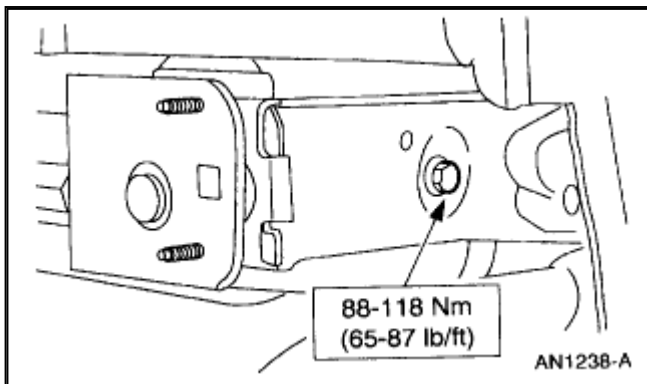
[Zoom](#)[Sized for Print](#)[Zoom](#)[Sized for Print](#)

7. Remove the rear [bumper](#) cover (17K835).
8. Remove the nuts and remove the rear [bumper](#) (17906).

[Zoom](#)[Sized for Print](#)

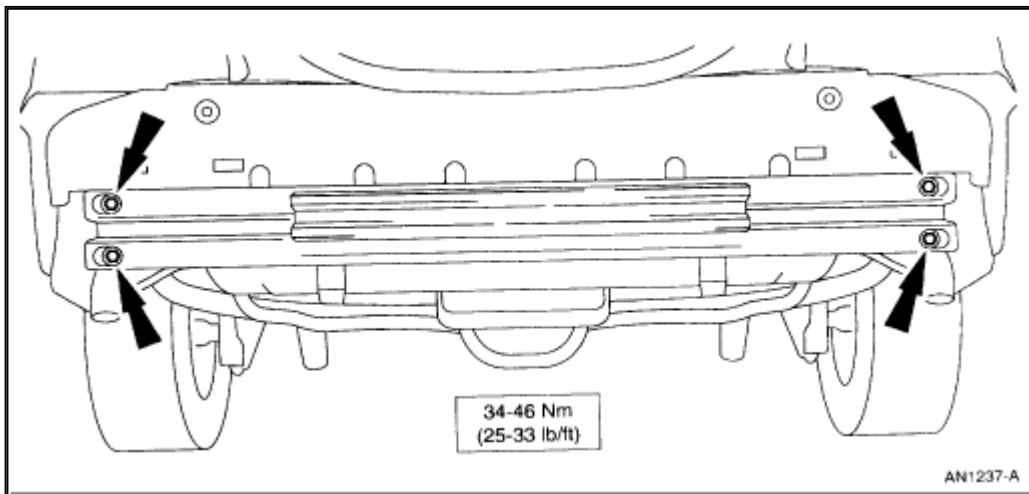
- Remove the bolt and remove the rear bumper isolator and bracket (17787).

### Installation



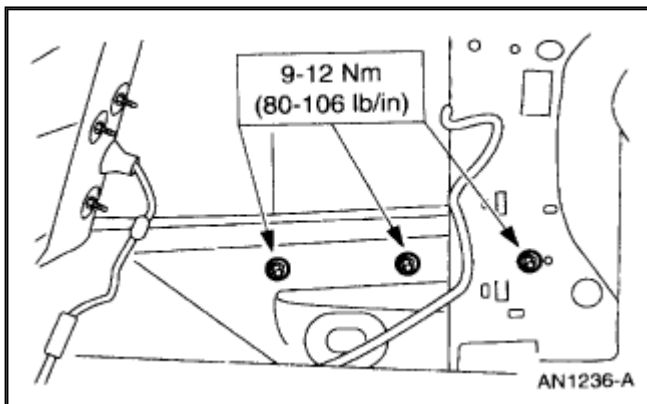
Zoom

Sized for Print



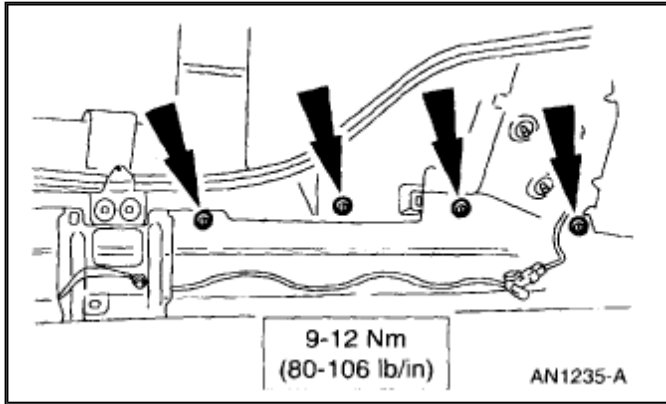
Zoom

Sized for Print



Zoom

Sized for Print



Zoom

Sized for Print

1. Follow the Removal procedure in reverse order.

© 2010 ALLDATA LLC. All rights reserved.  
[Terms of Use](#)