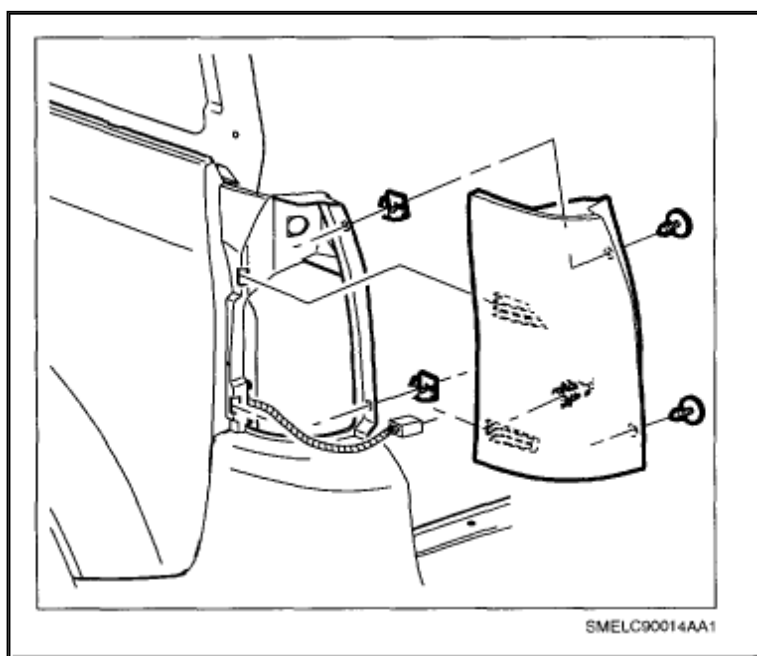
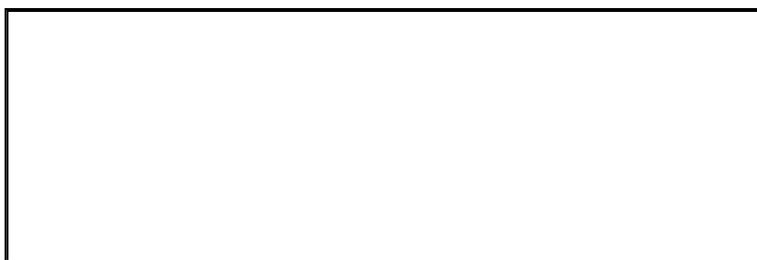


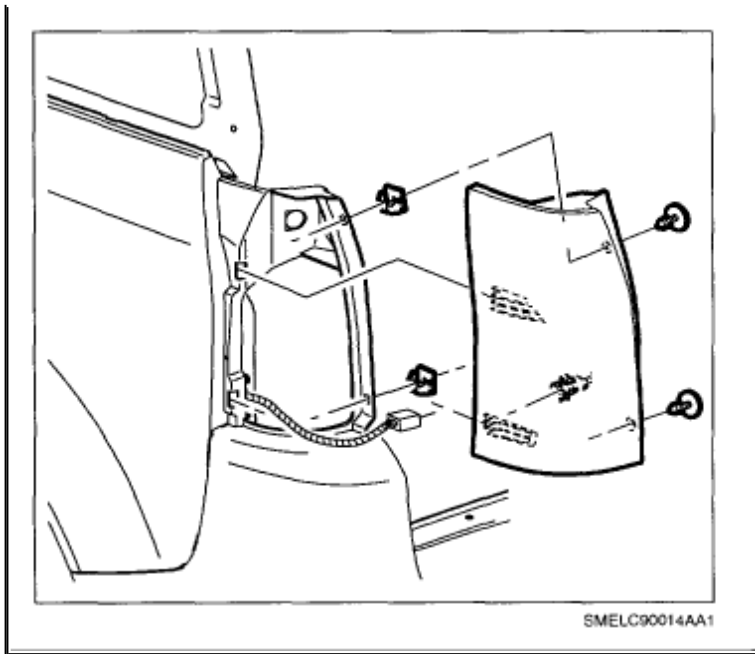
**2003 Saturn Truck VUE V6-3.0L VIN B**[Vehicle Level](#) → [Lighting and Horns](#) → [Tail Lamp](#) → [Service and Repair](#) ←**Service and Repair**[Notes](#)**TAIL LAMP ASSEMBLY****REMOVAL**

Zoom

Sized for Print

1. Remove tail lamp housing to body fasteners.
2. Carefully slide tail lamp housing rearward away from vehicle.
3. Disconnect tail lamp housing electrical connector.
4. Remove tail lamp housing.

**INSTALLATION**

[Zoom](#)[Sized for Print](#)

1. Connect tail lamp housing electrical connector.
2. Align tail lamp housing with vehicle.
3. Install tail lamp housing to body fasteners. **Torque:** Tail Lamp Housing to Body Fasteners: **2.5 N.m (22 in-lbs)**