

[Home](#) | [Account](#) | [Contact ALLDATA](#) | [Log Out](#) | [Help](#)

PAUL REDEHOFT

[Select Vehicle](#) | [New TSBs](#) | [Technician's Reference](#) | Component Search:

OK

 [Conversion Calculator](#)**2002 Honda Civic DX Sedan L4-1668cc 1.7L SOHC MFI**

[Vehicle Level](#) → [Body and Frame](#) → [Interior Moulding / Trim](#) → [Trim Panel](#) → [Service and Repair](#) → [Trim Removal/Installation - Door Area](#) ←

Trim Removal/Installation - Door Area[Notes](#)**Trim Removal/Installation - Door Area****Special Tools Required**

KTC trim tool set SOJATP2014

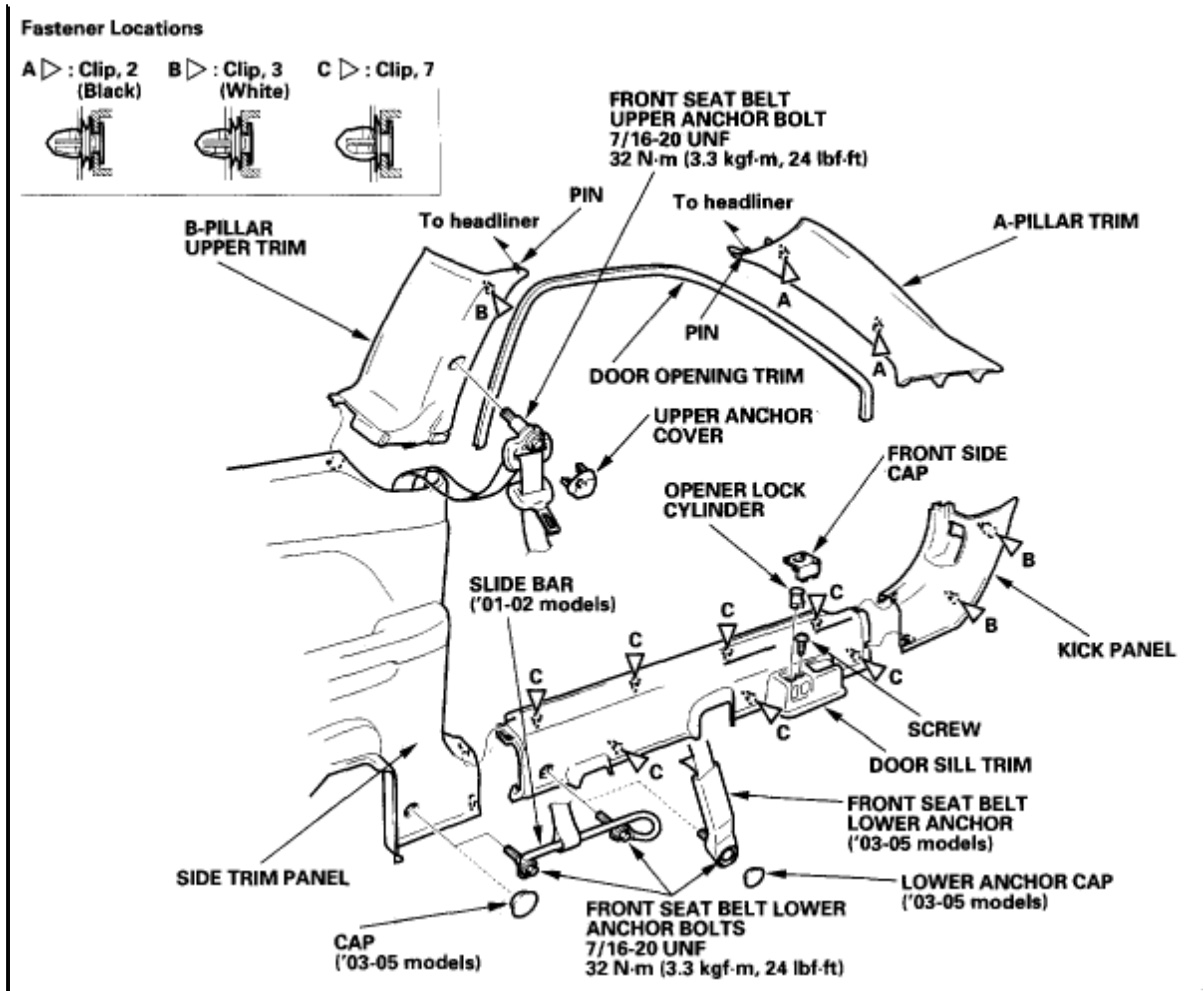
2-door**NOTE:**

- Put on gloves to protect your hands.
- Use the appropriate tool from the KTC trim tool set to avoid damage when prying components.
- Take care not to bend or scratch the trim and panels.

1. Remove the trim as shown:

- To remove the door sill trim and B-pillar upper trim, remove the side trim panel as necessary.
- To remove the front side cap and opener lock cylinder, refer to trunk lid opener/fuel fill door opener replacement.





Zoom

Sized for Print

2. Install the parts in the reverse order of removal, and note these items:

- Replace any damaged clips.
- Apply liquid thread lock to the anchor bolts before installation.
- Before installing the anchor bolts, make sure there are no twists or kinks in the seat belts.

Special Tools Required

KTC trim tool set SOJATP2014

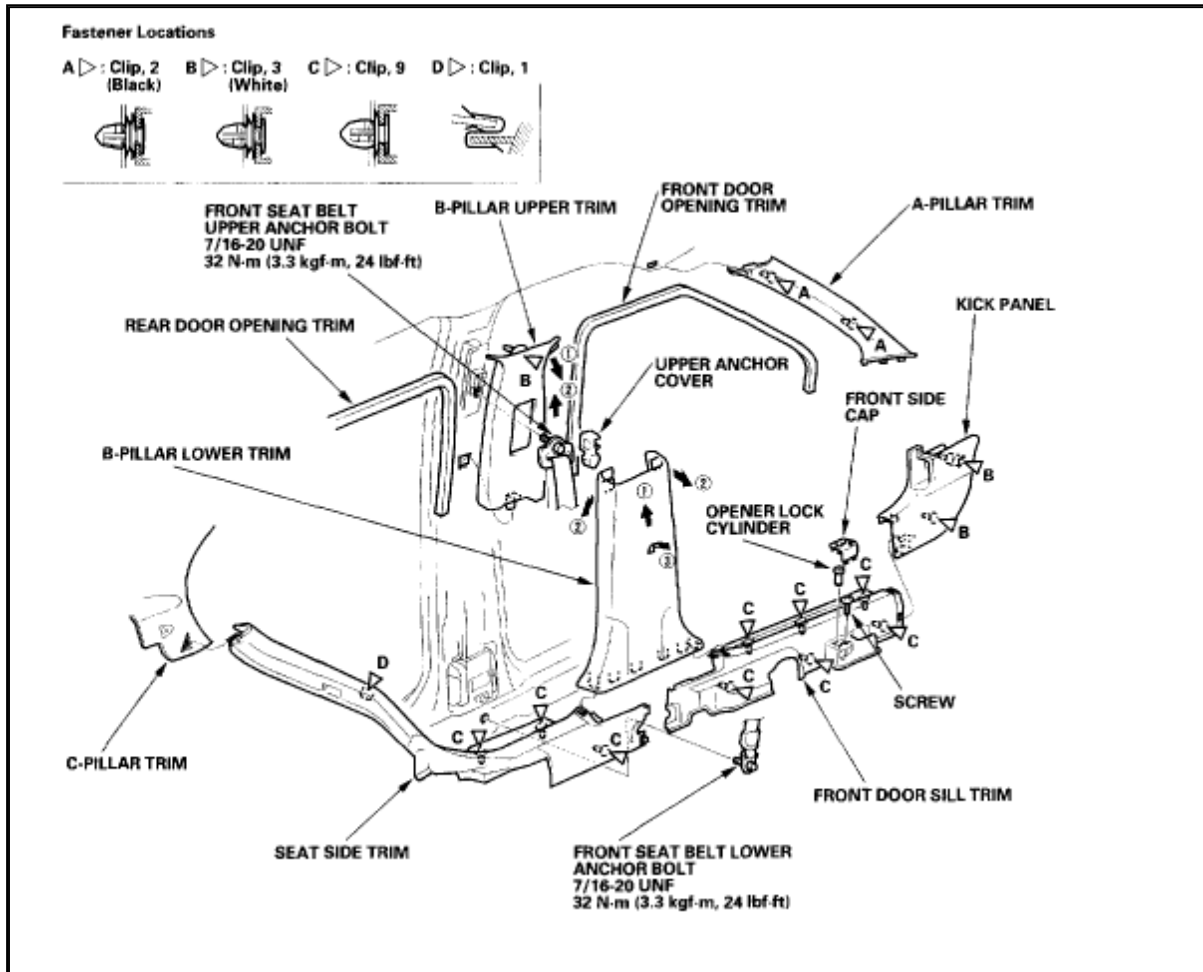
4-door

NOTE:

- Put on gloves to protect your hands.
- Use the appropriate tool from the KTC trim tool set to avoid damage when prying components.
- Take care not to bend or scratch the trim and panels.

1. Remove the trim as shown:

- To remove the driver's kick panel, remove the footrest.
- To remove the seat side trim, remove the rear seat side bolster.
- To remove the front side cap and opener lock cylinder, refer to trunk lid opener/fuel fill door opener replacement.



Zoom

Sized for Print

2. Install the parts in the reverse order of removal, and note these items:

- Replace any damaged clips.
- Apply liquid thread lock to the anchor bolts before installation.
- Before installing the anchor bolts, make sure there are no twists or kinks in the seat belts.