

Select Vehicle | New TSBs | Technician's Reference Component Search:

OK

Conversion Calculator

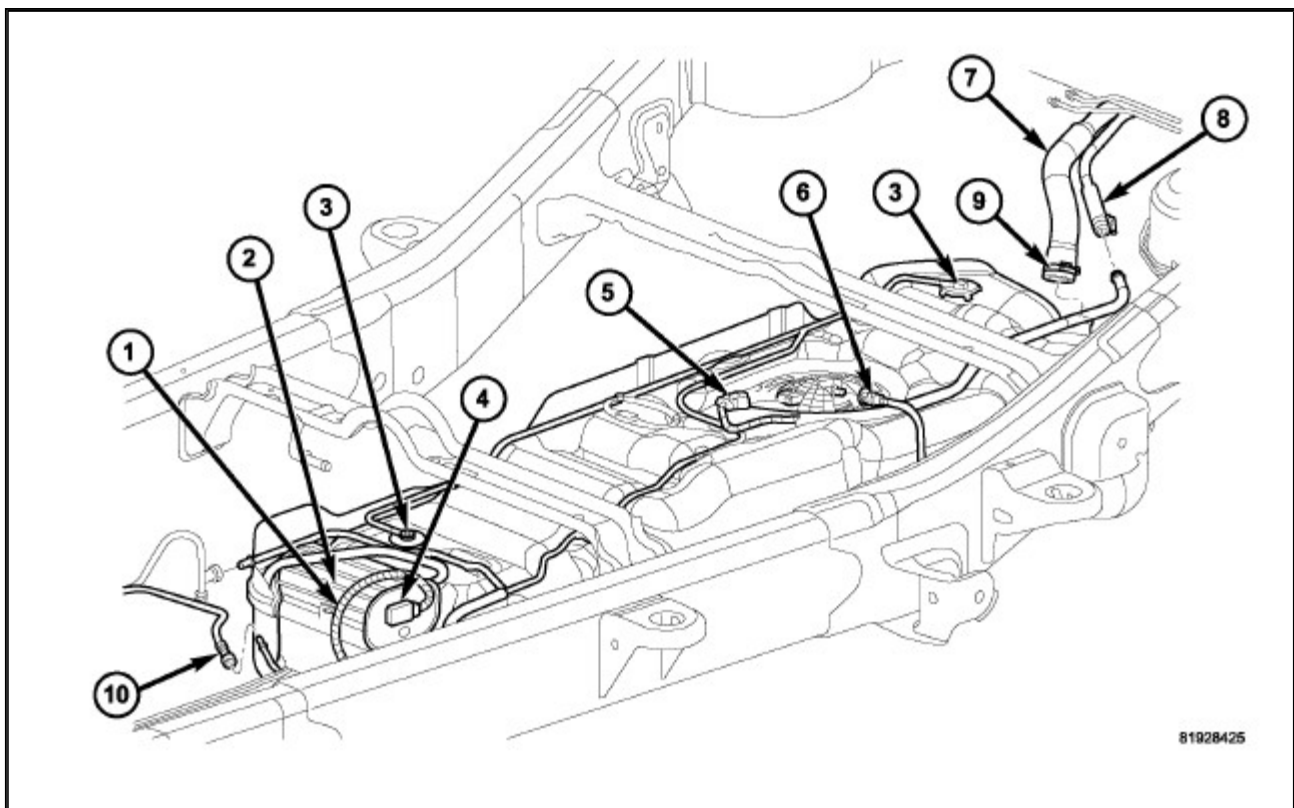
2009 Dodge Truck RAM 1500 Truck 4WD V8-5.7L

Vehicle Level → Powertrain Management → Fuel Delivery and Air Induction → Fuel Tank → Service and Repair → Removal and Replacement → Fuel Tank - Installation ←

Fuel Tank - Installation

[Notes](#)

INSTALLATION

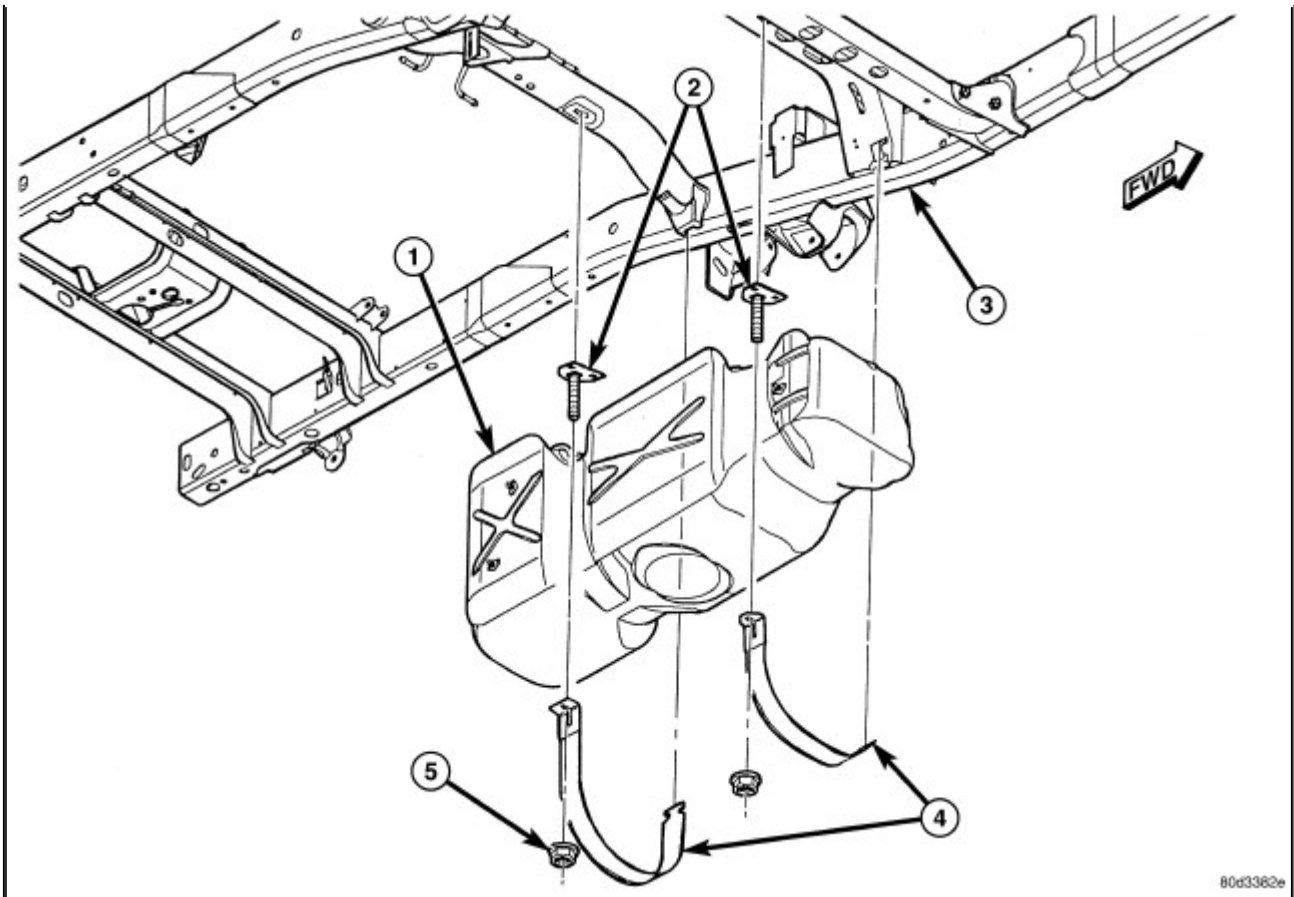


81928425

Zoom

Sized for Print

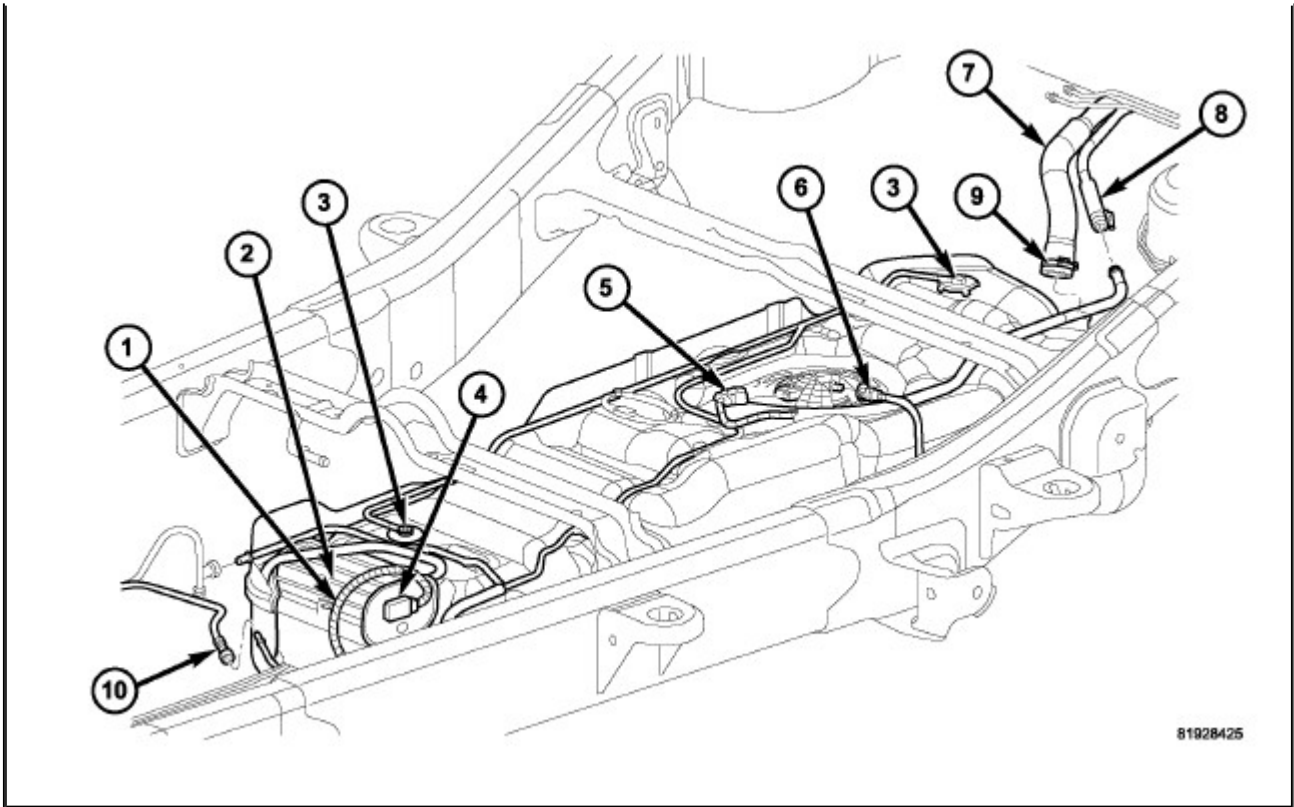
1. If fuel pump module installation is necessary [See: Fuel Pump\Service and Repair\Fuel Pump Module - Installation](#)
2. Secure the fuel tank onto a suitable hydraulic jack with a fuel tank adapter.
3. Raise and position the fuel tank leaving room to make the connections at the top of the fuel tank.
4. Connect the [fuel supply line](#) (6) to the fuel pump module.
5. Connect the [electrical connector](#) (5) to the fuel pump module.



Zoom

Sized for Print

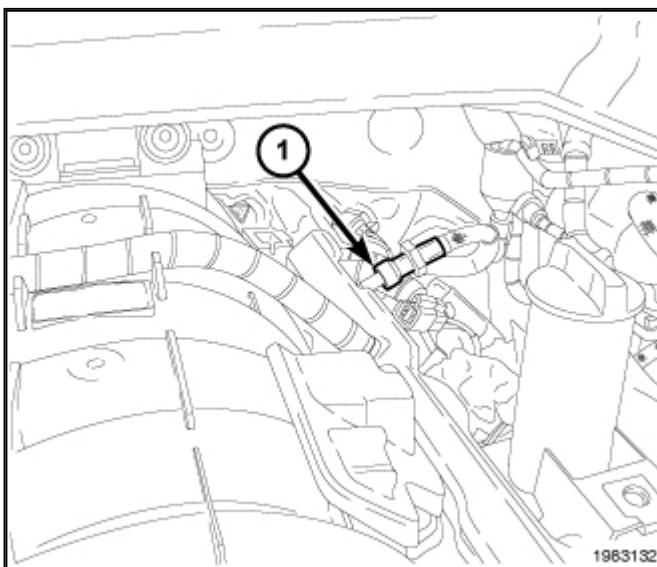
6. Raise the fuel tank (1) until snug to the body.
7. Install the fuel tank straps (4).
8. Install the strap nuts (5) and tighten to 41 Nm (30 ft. lbs.).
9. Remove the hydraulic jack.



Zoom

Sized for Print

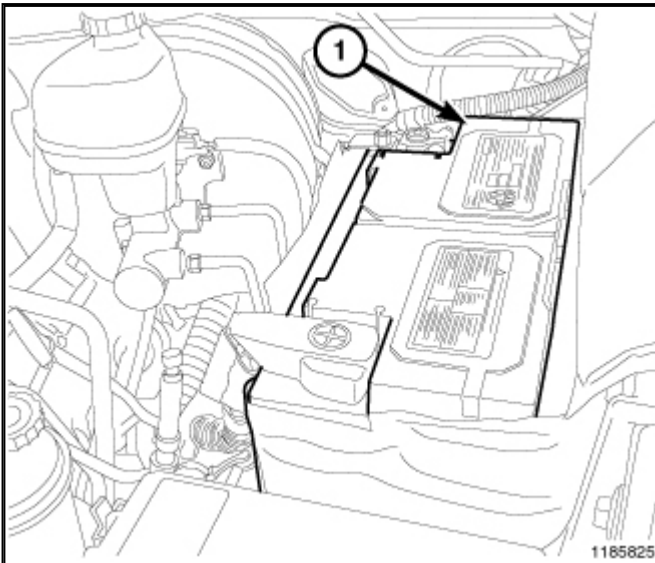
10. Connect the electrical connector to the ESIM switch (4).
11. Connect the quick-connect fitting at the front of the fuel tank (10).
12. Connect the quick-connect fitting (8) at the rear of the fuel tank.
13. Connect the fill hose (7) at the rear of the fuel tank and securely tighten the fill hose retaining clamp (9).



Zoom

Sized for Print

14. Connect the fuel line quick-connect fitting at the [fuel rail](#) (1).



Zoom

Sized for Print

15. Connect the negative battery cable (1).
16. Fill the fuel tank.
17. Start the engine and check for leaks at all fuel tank connections.