

[Select Vehicle](#) | [New TSBs](#) | [Technician's Reference](#) Component Search:

OK

[Conversion Calculator](#)**2002 Chevy Truck S10/T10 Blazer 2WD V6-4.3L VIN W**[Vehicle Level](#) → [Heating and Air Conditioning](#) → [Evaporator Core](#) → [Service and Repair](#) ←

Service and Repair

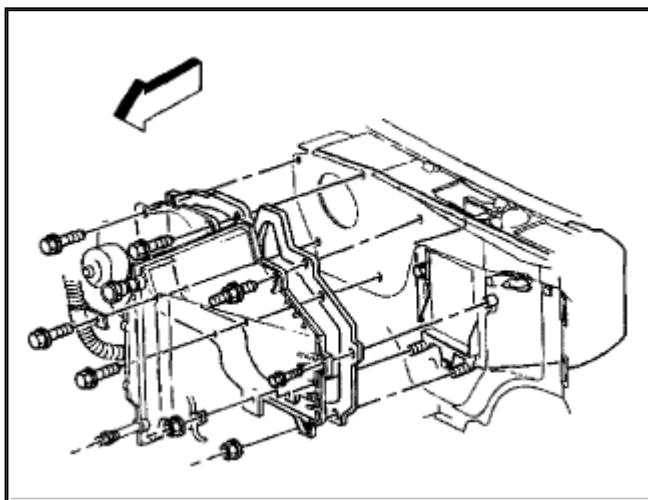
[Notes](#)

EVAPORATOR CORE REPLACEMENT

TOOLS REQUIRED

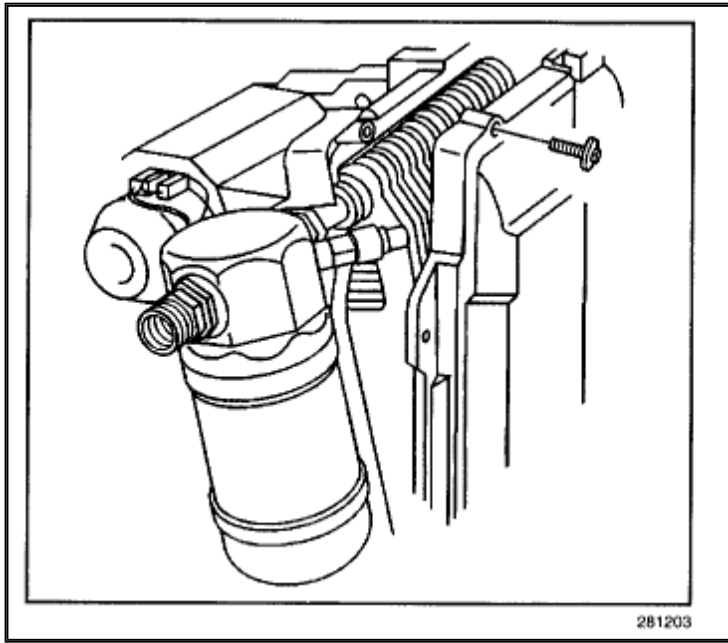
J 39400-A Halogen Leak Detector

REMOVAL PROCEDURE

[Zoom](#)[Sized for Print](#)

1. Disconnect the underhood lamp electrical connector, if equipped.
2. Remove the hood.
3. Remove the PCM.
4. Remove the coolant recovery tank.
5. Disconnect the electrical connectors from the grille mounted lamps, if equipped.
6. Remove the right front headlamp assembly.
7. Remove the front bumper.
8. Remove the right wheelhouse panel.
9. Disconnect the radio antenna cable.
10. Disconnect the electrical connector for the horn.
11. Remove the right fender.
12. Remove the [blower motor resistor](#).
13. Remove the accumulator.
14. Remove the evaporator tube.

15. Remove the evaporator and blower module heat shield mounting screws.
16. Remove the evaporator and blower module heat shield. **IMPORTANT:** Retain the evaporator and blower module heat shield mounting bracket for installation.
17. Remove the evaporator and blower module mounting bolts and nuts.
18. Remove the evaporator and blower module from the vehicle.

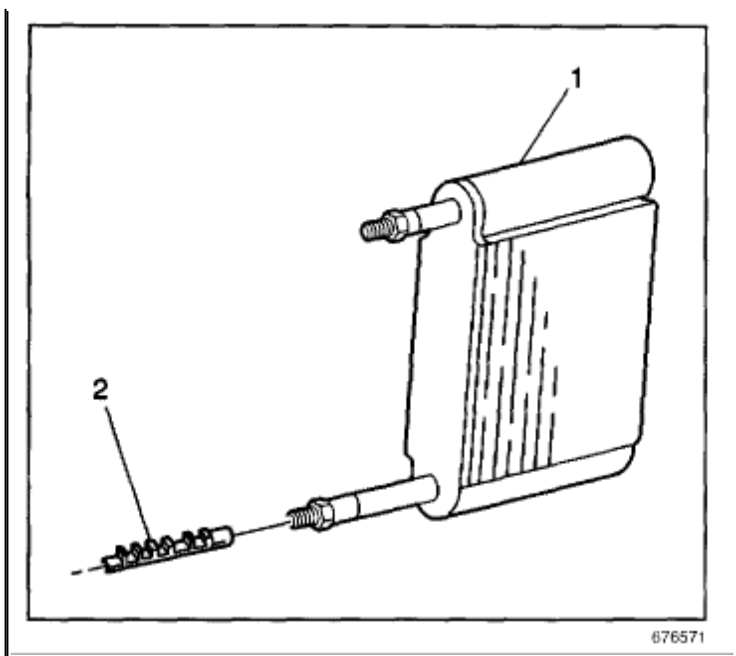


Zoom

Sized for Print

19. Remove the 6 retaining screws holding the [evaporator case](#) section to the blower case section.
20. Separate the [evaporator case](#) section from the blower case section.
21. Remove the evaporator core from the blower case section.
22. Inspect the seals and replace as necessary.



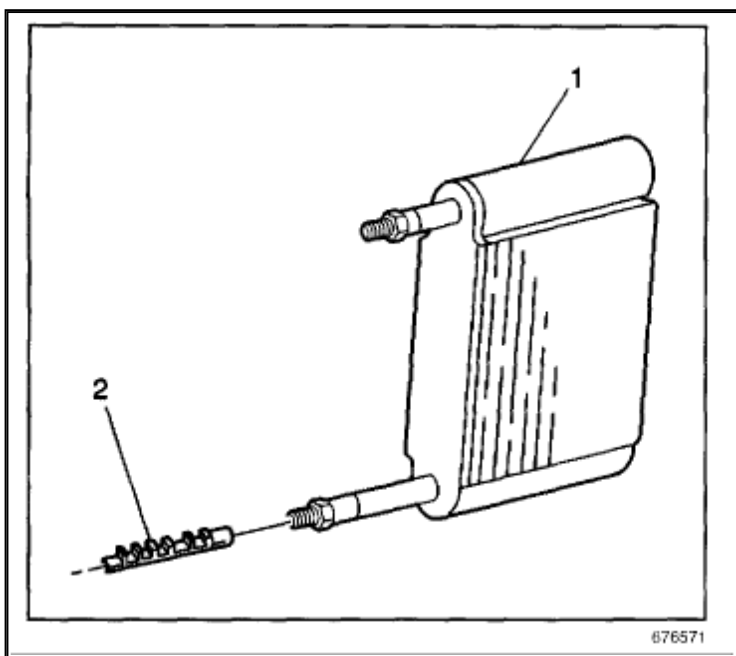


Zoom

Sized for Print

23. Remove the expansion (orifice) tube (2) from the evaporator (1).

INSTALLATION PROCEDURE

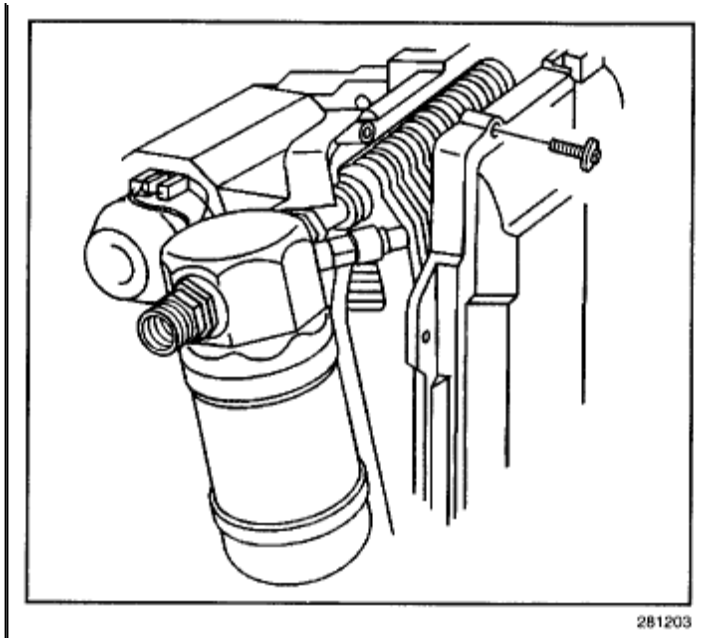


Zoom

Sized for Print

1. Install the expansion (orifice) tube (2) to the evaporator (1).

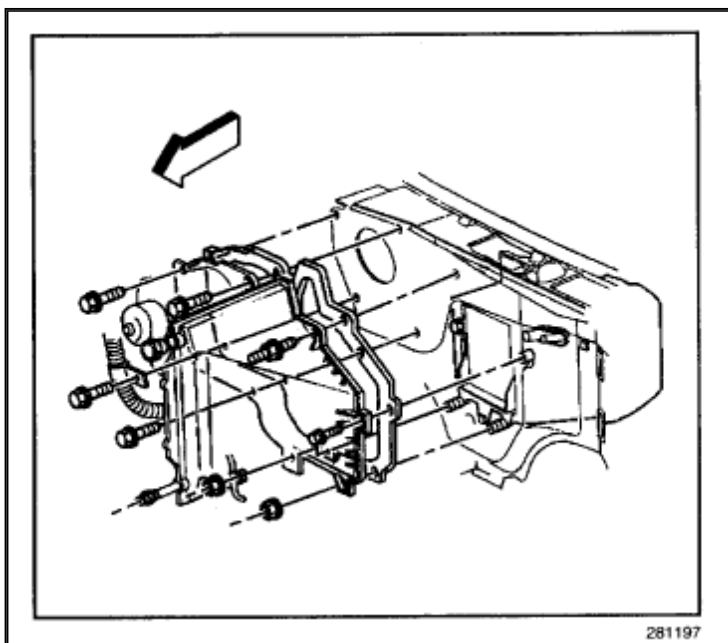




Zoom

Sized for Print

2. Install the evaporator core to the blower case section. **IMPORTANT:** Ensure that the seal is in place between the 2 case sections.
3. Assemble the [evaporator case](#) section to the blower case section. **NOTE:** Refer to Fastener Notice in Service Precautions.
4. Install the 6 retaining screws. **Tighten** Tighten the screws to **1.9 N.m (17 lb in)** . **IMPORTANT:** Ensure that the evaporator and blower module to the cowl seal is in place.



Zoom

Sized for Print

5. Install the evaporator and blower module to the vehicle. **IMPORTANT:** Install the evaporator and blower module heat shield mounting bracket with the evaporator and blower module mounting nuts.
6. Install the evaporator and blower module mounting fasteners. **Tighten** Tighten the to **4.5 N.m (40 lb in)** .
7. Install the evaporator and blower module heat shield.
8. Install the evaporator and blower module heat shield mounting screws. **Tighten** Tighten the screws to **2.2 N.m (19 lb in)** .
9. Install the evaporator tube.
10. Install the accumulator.
11. Install the [blower motor resistor](#).
12. Install the right fender.
13. Connect the electrical connector for the horn.
14. Install the radio antenna cable.
15. Install the right wheelhouse panel.
16. Install the front bumper.
17. Install the right front headlamp assembly.
18. Connect the electrical connectors to the grille mounted lamps.
19. Install the coolant recovery tank.
20. Install the PCM.
21. Install the hood.
22. Connect the underhood lamp electrical connector.
23. Evacuate and recharge the A/C system. Refer to [Refrigerant](#) Recovery and Recharging
24. Leak test the fittings components using the J 39400-A.