

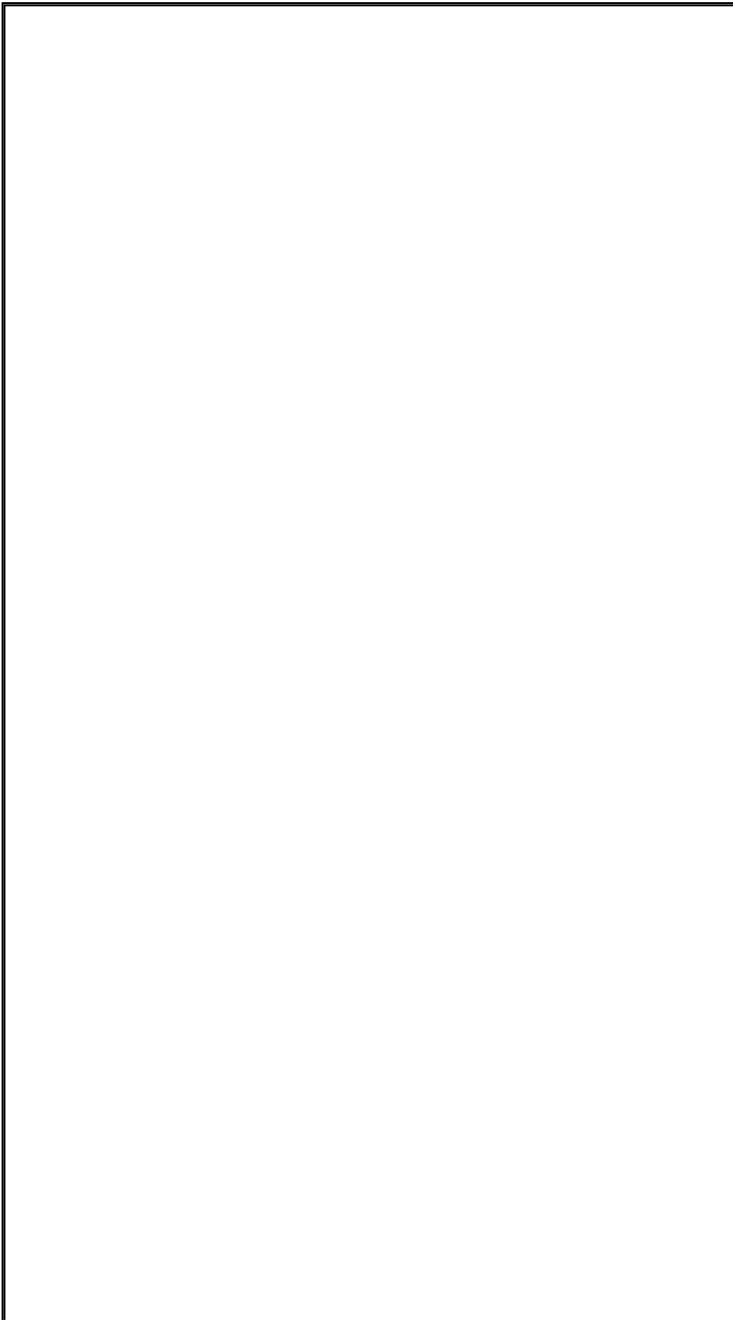
2007 Ford Truck Expedition 2WD V8-5.4L

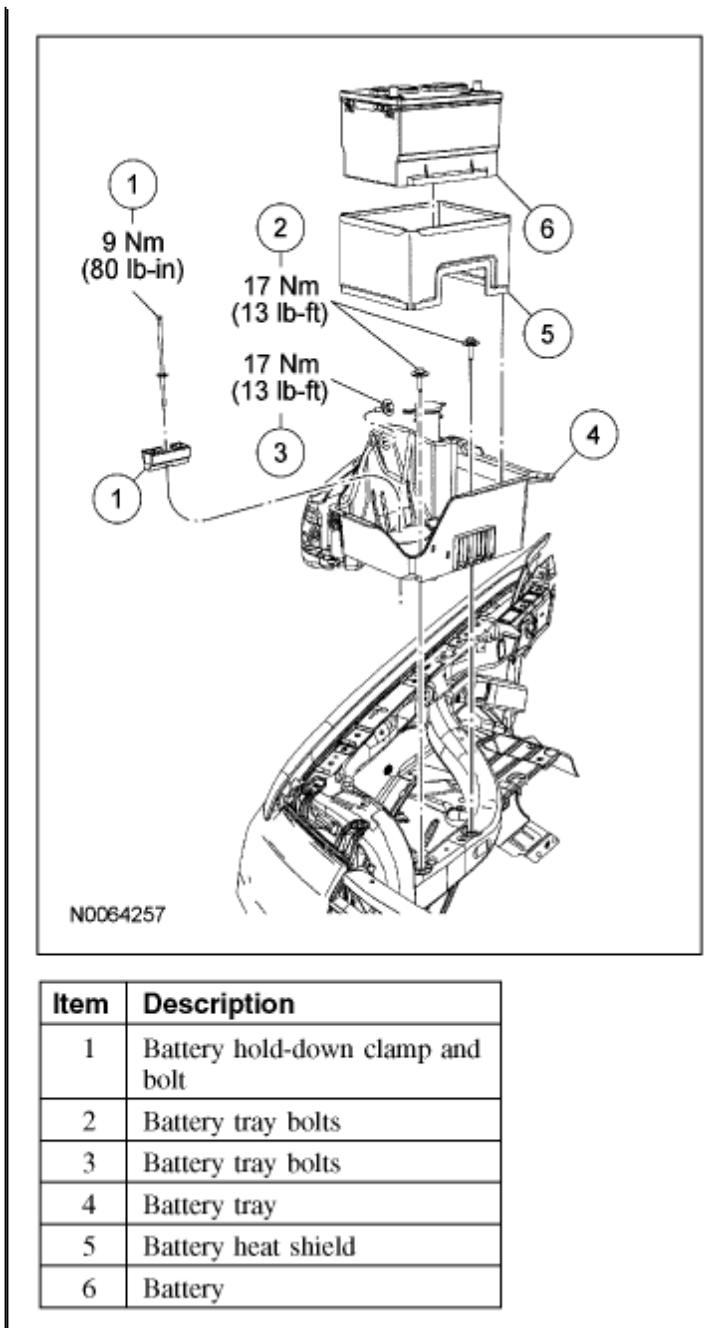
[Vehicle Level](#) → [Starting and Charging](#) → [Battery](#) → [Service and Repair](#) → [Battery](#) ←

Battery

[Notes](#)

BATTERY





Zoom

Sized for Print

Exploded View

Removal and Installation

1. Disconnect the [battery cables](#).
2. Loosen and remove the battery hold-down bolt and clamp.
 - To install, tighten to **9 Nm (80 lb-in)** .

3. **WARNING: When lifting a battery, excessive pressure on the end walls could cause acid to leak out through the vent caps, resulting in personal injury, or damage to the vehicle or battery. Lift with a battery carrier. Failure to follow these instructions may result in personal injury.** Remove the battery and the heat shield.
4. To install, reverse the removal procedure.

© 2010 ALldata LLC. All rights reserved.

[Terms of Use](#)