

Select Vehicle | New TSBs | Technician's Reference Component Search:

OK

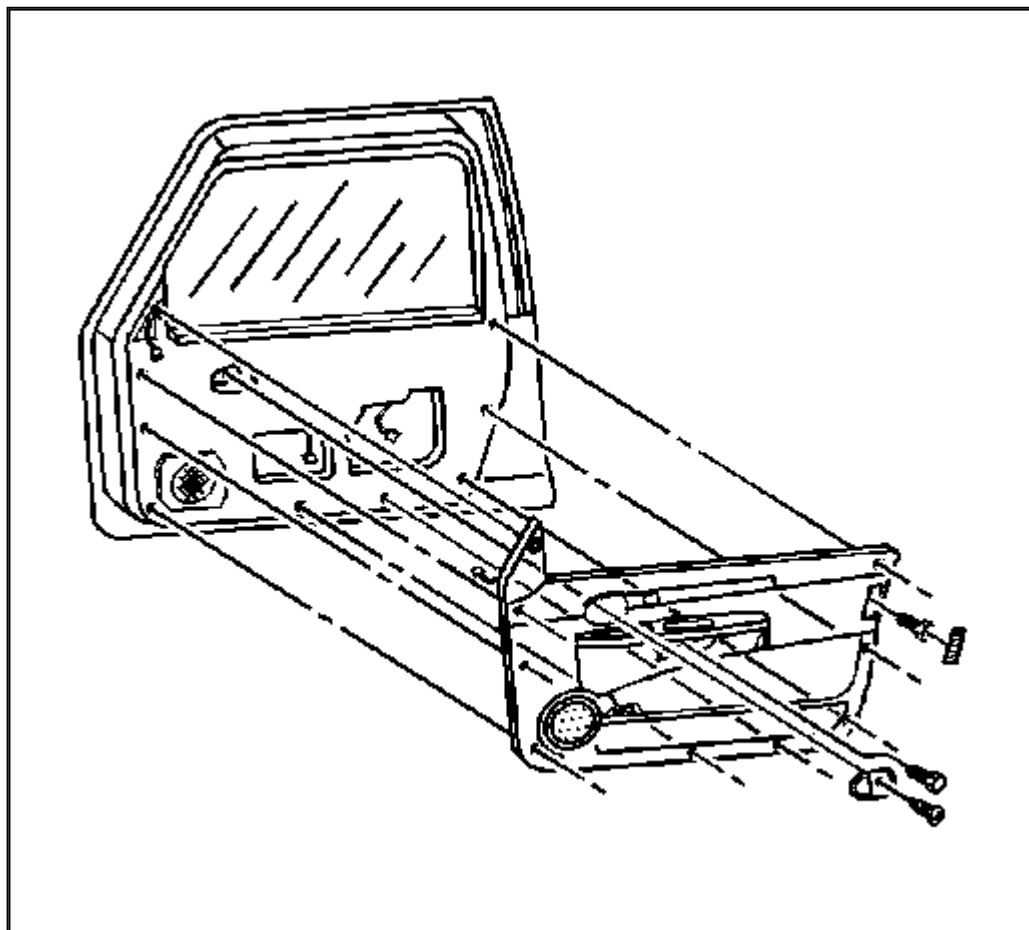
Conversion Calculator

2002 Buick Truck Rendezvous V6-3.4L VIN E

[Vehicle Level](#) → [Body and Frame](#) → [Doors, Hood and Trunk](#) → [Front Door Panel](#) → [Service and Repair](#)
→ [Front Door Panel Replacement](#) → [Trim Panel Replacement - Side Front Door \(Rendezvous\)](#) ←

Trim Panel Replacement - Side Front Door (Rendezvous)[Notes](#)**[Trim Panel](#) Replacement - Side Front Door (Rendezvous)****Tools Required**

J 38778 Door Trim Pad and Garnish Clip Remover

Removal Procedure

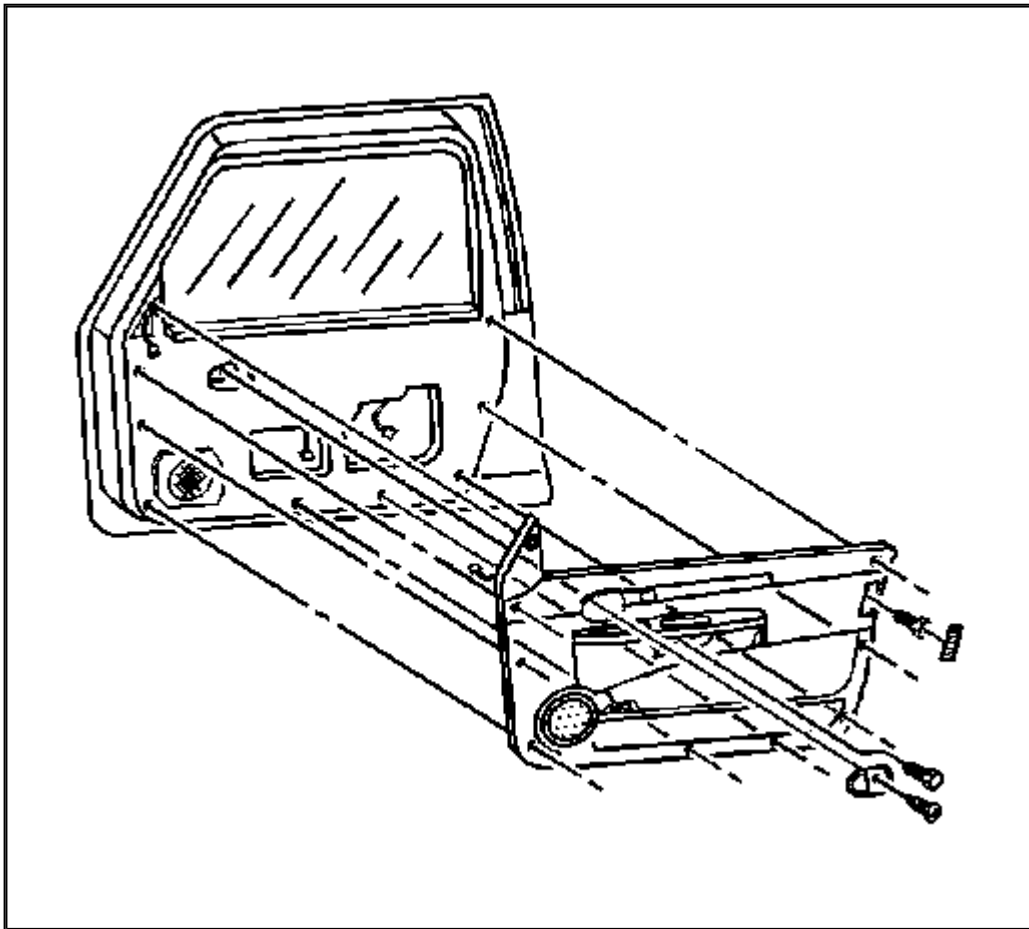
Zoom

Sized for Print

1. Open the door.

2. Disconnect the power window switch assembly.
 3. Remove the screws from the front door [trim panel](#)
 4. Use the J 38778 to remove the trim panel.
-
1. Reposition the electrical harness connectors.
 2. Remove the [trim panel](#) from the vehicle.

Installation Procedure



Zoom

Sized for Print

Important: Before installing the front door [trim panel](#), discard the old trim panel retainers and replace with NEW trim panel retainers.

1. Install the new retainers to the front door [trim panel](#).
2. Route the electrical connectors through the [trim panel](#).
3. Align the [trim panel](#) to the door inner panel, guiding the door handle through the trim panel.
4. Install the upper edge of the [trim panel](#) to the top edge of the inner door panel, pressing down firmly until the trim panel is fully seated.
5. Install the [trim panel](#) by firmly pressing the retainer clips until the clips are fully seated around the perimeter of the trim panel. **Notice:** Refer to Fastener

Notice in Cautions and Notices.

6. Install the screws to the front door [trim panel](#). **Tighten the screws to 2 N.m (18 lb in).**
7. Connect the power window switch.

© 2010 ALLDATA LLC. All rights reserved.
[Terms of Use](#)