

1998 Saturn SL1 L4-1.9L SOHC VIN 8

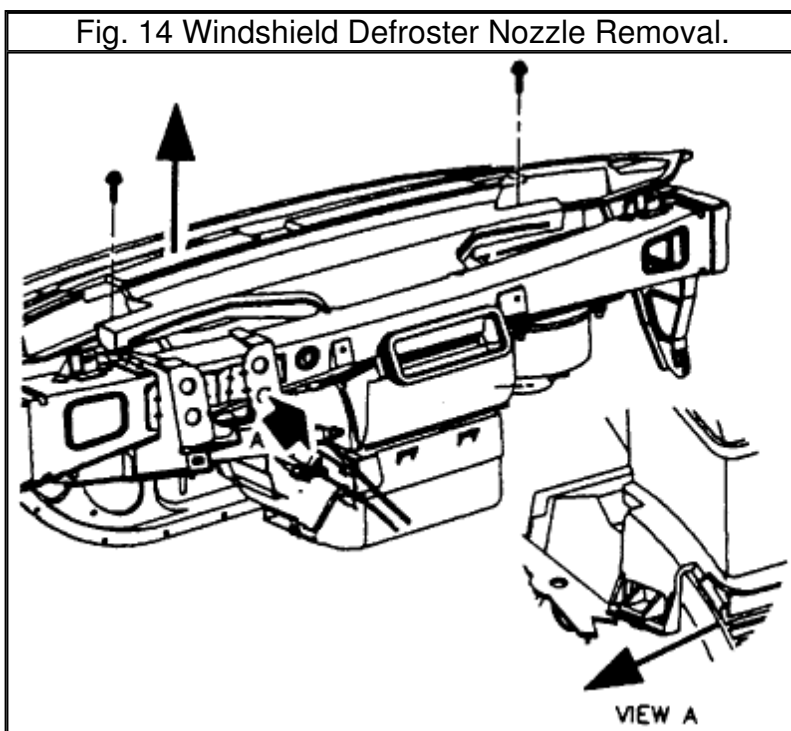
[Vehicle Level](#) → [Heating and Air Conditioning](#) → [Blower Motor Resistor](#) → [Service and Repair](#) ←

Service and Repair

[Notes](#)

REMOVAL

1. Disable the Supplemental Inflatable Restraint (**SIR**) system.

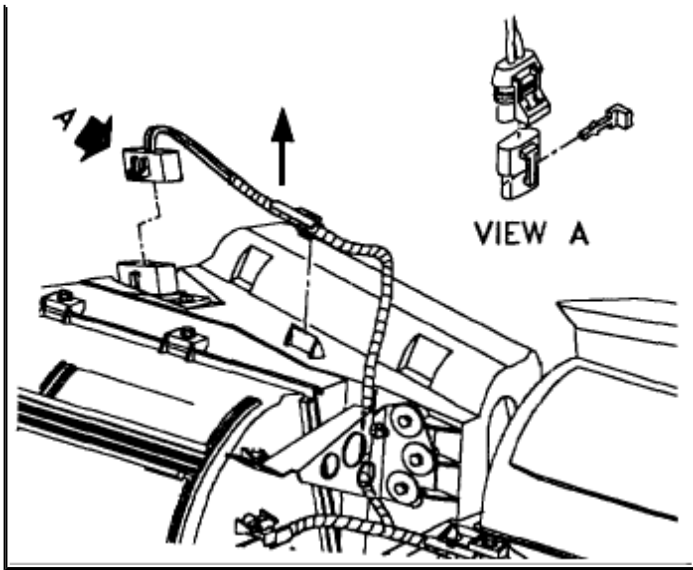


Zoom

Sized for Print

2. Remove screws and unsnap windshield defroster duct from mode valve assembly. Lift up on defroster duct and move it to the right. This will allow access to resistor assembly.

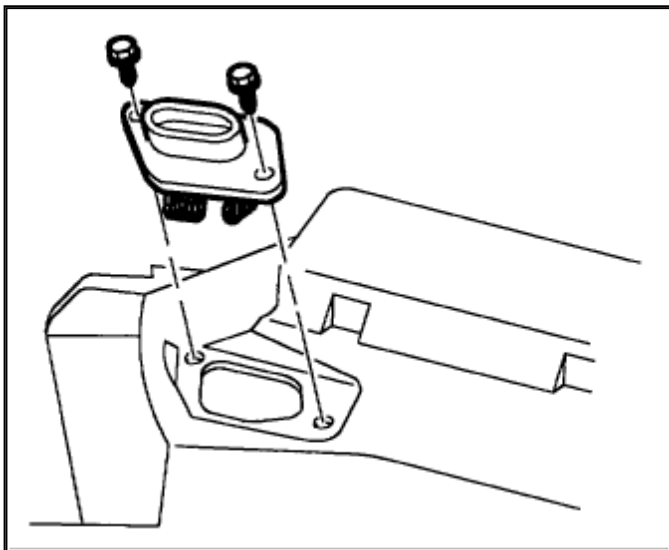




Zoom

Sized for Print

3. Disconnect blower motor resistor connector.



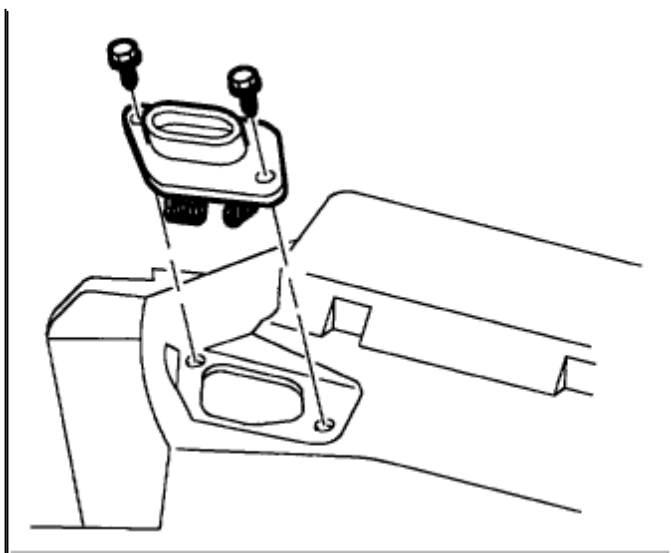
Zoom

Sized for Print

4. Remove screws and blower motor resistor.

INSTALLATION

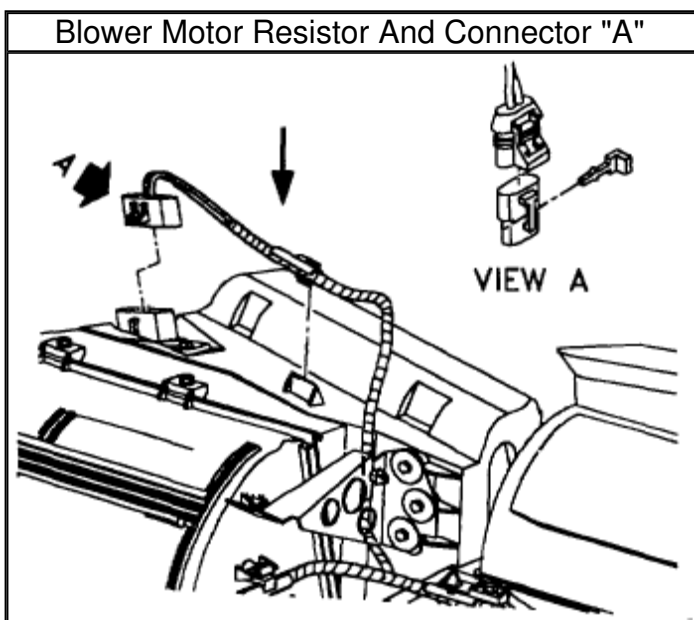




Zoom

Sized for Print

1. Install blower motor resistor and screws.

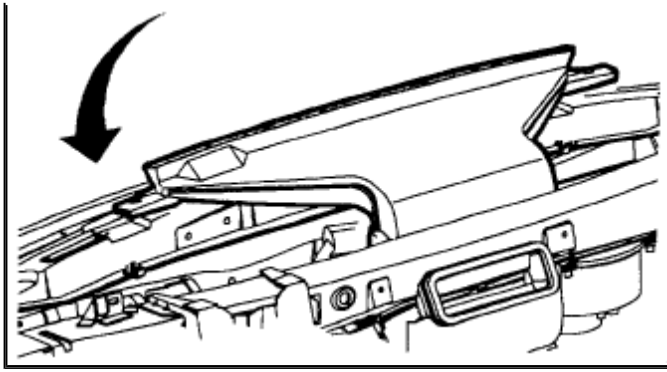


Zoom

Sized for Print

2. Connect blower motor resistor connector.



[Zoom](#)[Sized for Print](#)

3. Move defroster duct to the left. Install windshield defroster duct onto the mode valve assembly and install screws. **Torque: 2.2 N.m (20 in-lbs)**
4. Enable SIR system.

© 2010 ALLDATA LLC. All rights reserved.
[Terms of Use](#)