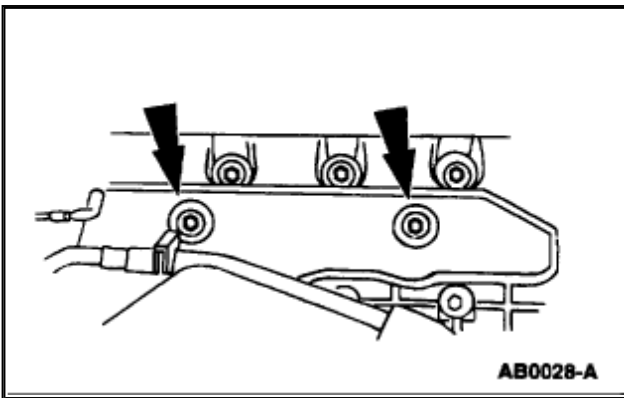


2002 Lincoln Continental V8-4.6L DOHC VIN V[Vehicle Level](#) → [Powertrain Management](#) → [Ignition System](#) → [Ignition Coil](#) → [Service and Repair](#) ←**Service and Repair**[Notes](#)**REMOVAL**

1. Disconnect the battery ground cable.

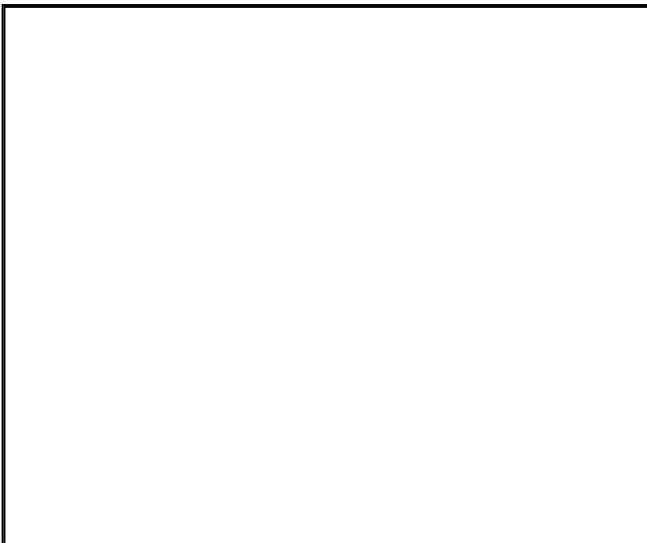


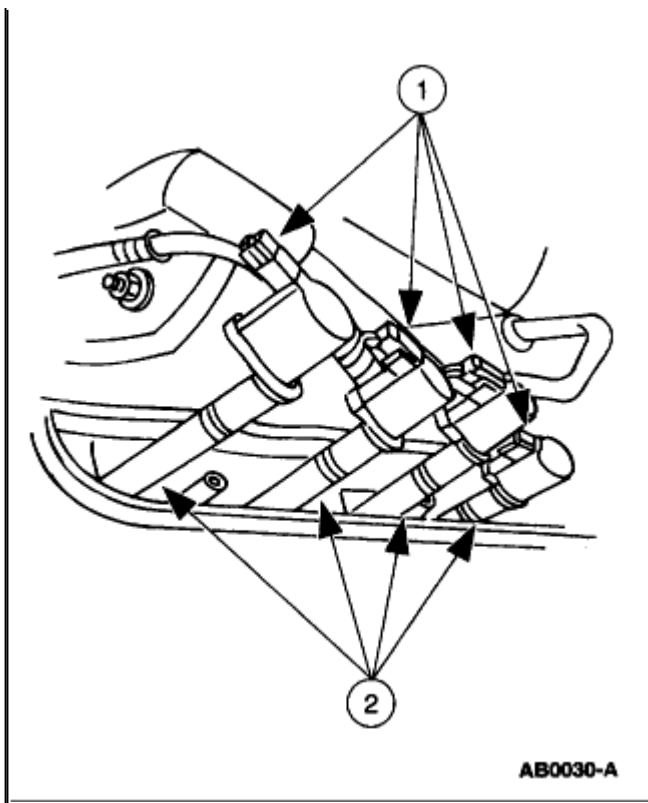
Zoom

Sized for Print

2. Remove the RH [spark plug](#) cover.

- Remove the bolts from the RH [spark plug](#) cover.
- Remove the [spark plug](#) cover.





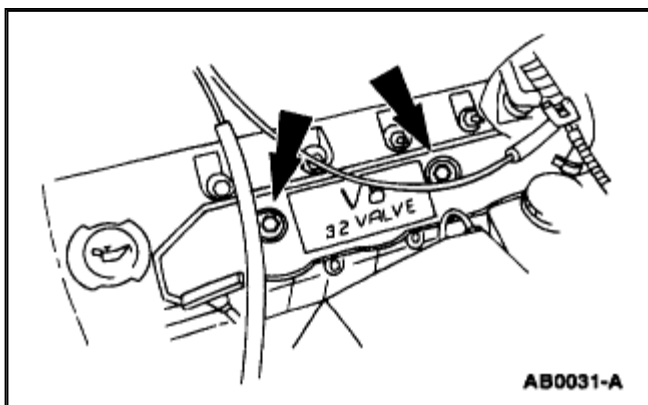
Zoom

Sized for Print

3. Remove the RH ignition coils.

1 Disconnect the connectors from the ignition coils.

2 Remove the ignition coils from the [spark plugs](#).

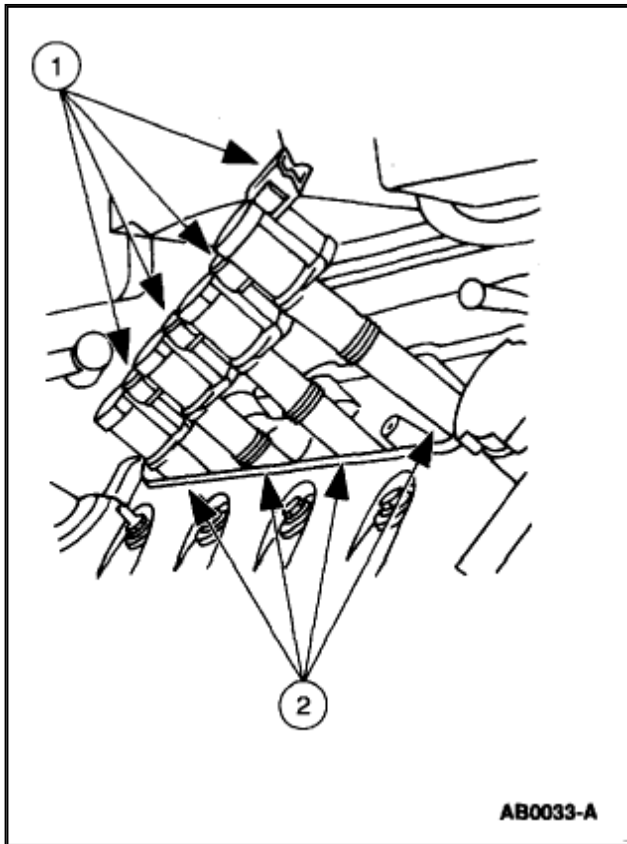


Zoom

Sized for Print

4. Remove the LH [spark plug](#) cover.

- Remove the bolts from the LH [spark plug](#) cover.
- Remove the [spark plug](#) cover.



Zoom

Sized for Print

5. Remove the LH ignition Coils.

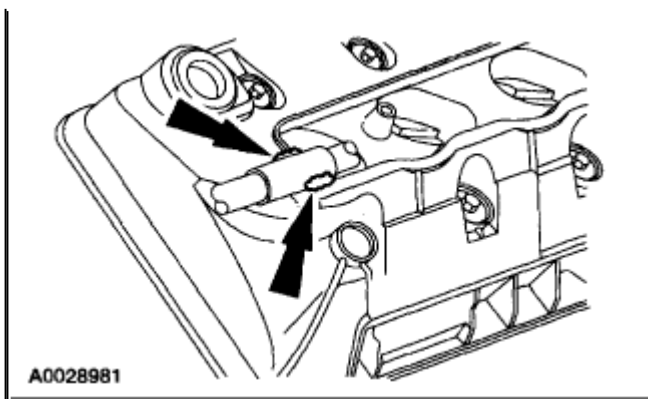
1 Disconnect the connectors from the ignition coils.

2 Remove the ignition coils from the [spark plugs](#).

6. Inspect the ignition coil for cracks, carbon tracking and dirt.

INSTALLATION

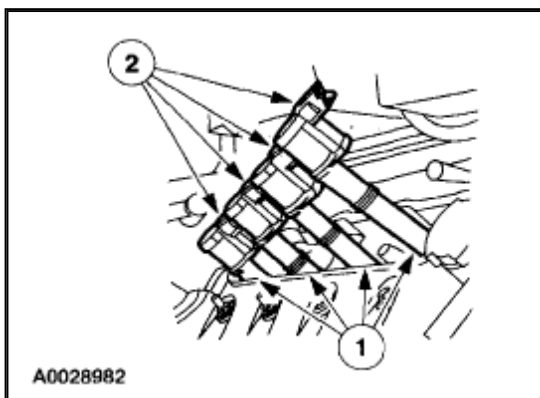




Zoom

Sized for Print

1. Remove the existing sealant in the "T" joints formed by the [spark plug](#) cover, wiring harness grommet and the cam cover on each side of the engine.



Zoom

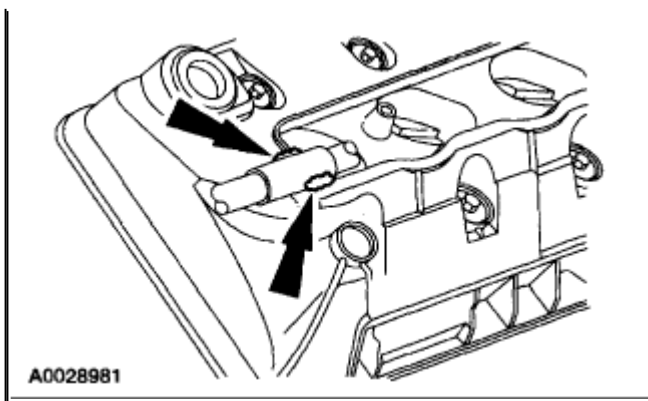
Sized for Print

2. Install the LH ignition coils.
1. Install the ignition coils on the [spark plugs](#).
2. Connect the electrical connectors.

NOTE: Apply silicone brake caliper grease and dielectric compound to the inside of the ignition coil boots.

3. Place the wiring harness grommet in the cam cover groove.

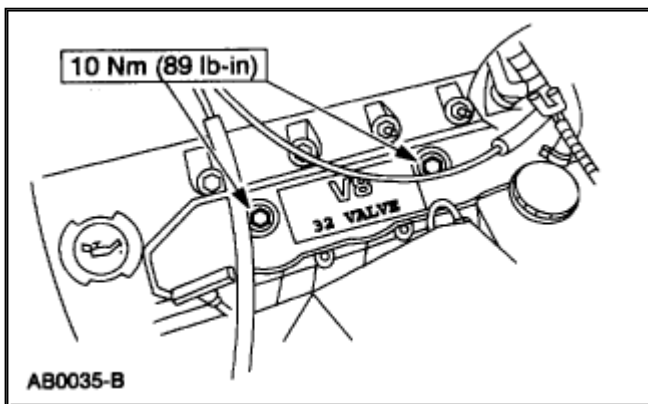




Zoom

Sized for Print

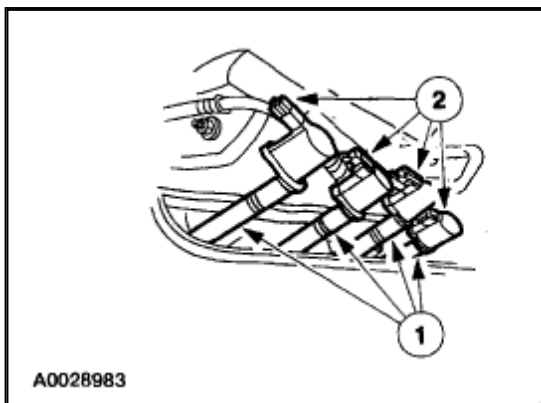
4. Apply a **3 mm (0.12 in)** diameter by **10 mm (0.4 in)** long bead of silicone sealer to the two "T" joints created by the wiring harness grommet, cam cover and [spark plug](#) cover mating surfaces.



Zoom

Sized for Print

5. Install the LH [spark plug](#) cover.
 - Position the [spark plug](#) cover on the cam cover.
 - Install and tighten the bolts.



A0028983

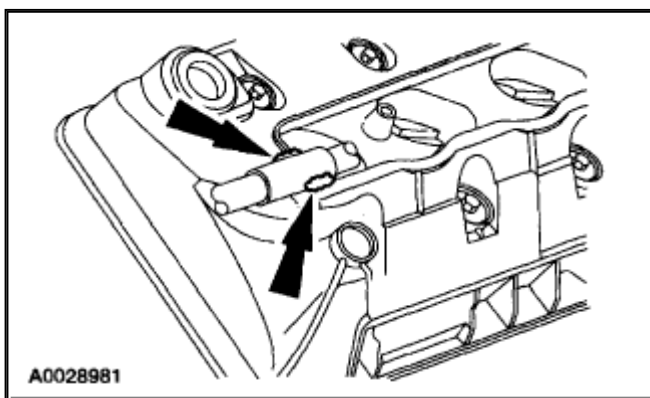
[Zoom](#)[Sized for Print](#)

6. Install the RH ignition coils.

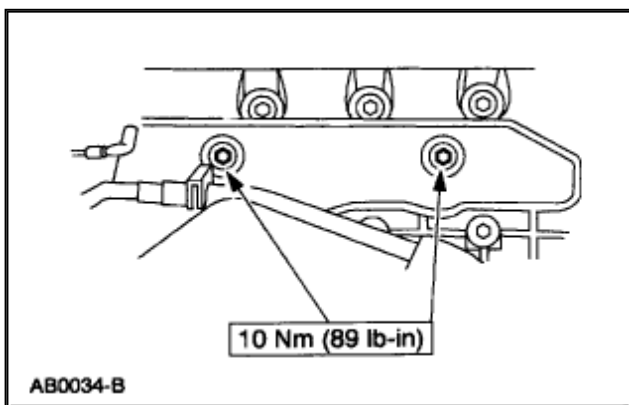
- 1 Install the ignition coils on the [spark plugs](#).
- 2 Connect the electrical connectors.

NOTE: Apply silicone brake caliper grease and dielectric compound to the inside of the ignition coil boots.

7. Place the wiring harness grommet in the cam cover groove.

[Zoom](#)[Sized for Print](#)

8. Apply a **3 mm (0.12 in)** diameter by **10 mm (0.4 in)** long bead of silicone sealer to the two "T" joints created by the wiring harness grommet, cam cover and [spark plug](#) cover mating surfaces.

[Zoom](#)[Sized for Print](#)

9. Install the RH [spark plug](#) cover.
 - Position the [spark plug](#) cover on the cam cover.
 - Install and tighten the bolts.
10. Connect the battery ground cable.

© 2010 ALldata LLC. All rights reserved.
[Terms of Use](#)