

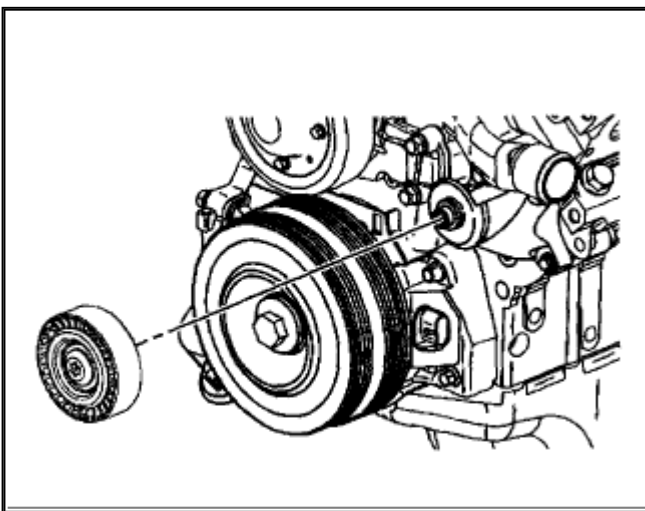
2003 Buick Park Avenue Ultra V6-3.8L SC VIN 1

[Vehicle Level](#) → [Engine, Cooling and Exhaust](#) → [Engine](#) → [Idler Pulley](#) → [Service and Repair](#) → [Drive Belt Idler Pulley - Lower](#) ←

Drive Belt Idler Pulley - Lower

[Notes](#)

[Drive Belt](#) **Idler Pulley Replacement (Lower)**
Removal Procedure

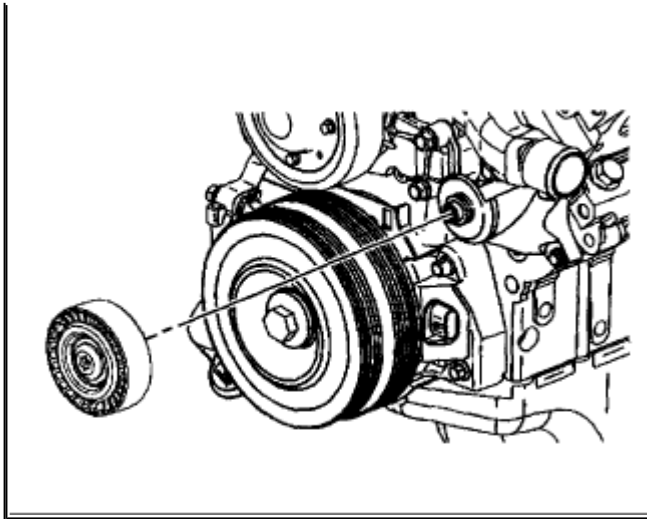


Zoom

Sized for Print

1. Remove the supercharger [drive belt](#).
2. Remove the [drive belt](#) idler pulley bolt.
3. Remove the [drive belt](#) idler pulley. **Installation Procedure**





Zoom

Sized for Print

1. Install the [drive belt](#) idler pulley. **Notice:** Refer to Fastener Notice in Service Precautions.
2. Install the [drive belt](#) idler pulley bolt.
 - Tighten the [drive belt](#) idler pulley bolt to **50 Nm (37 ft. lbs.)**.
3. Install the supercharger [drive belt](#).