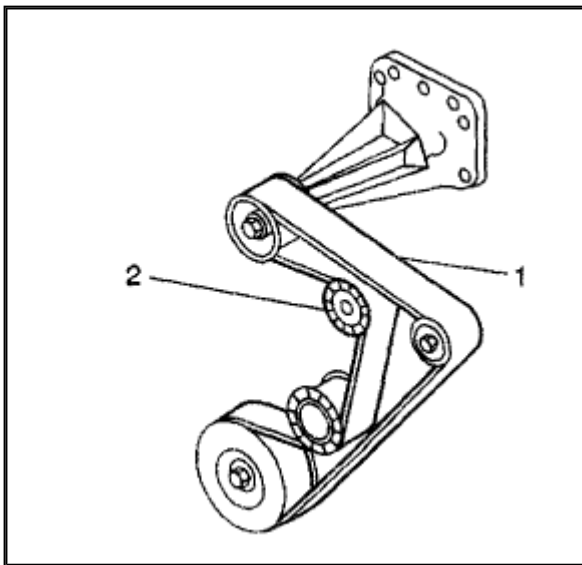


2003 Buick Park Avenue Ultra V6-3.8L SC VIN 1[Vehicle Level](#) → [Engine, Cooling and Exhaust](#) → [Engine](#) → [Drive Belt](#) → [Service and Repair](#) ↗**Service and Repair**[Notes](#)**Drive Belt Replacement
Removal Procedure**

The supercharged 3800 engine uses two drive belts. The outer belt drives the supercharger. The inner belt drives the generator, power steering pump, coolant pump and air conditioning compressor. All driven accessories are rigidly mounted to the engine. Drive belt tension is maintained by the spring loaded belt tensioners. Each belt has its own tensioner.

A belt squeak when the engine is started or stopped is normal and has no effect on belt durability. The drive belt tensioner can control belt tension over a broad range of belt lengths due to stretching.

1. Remove the battery.

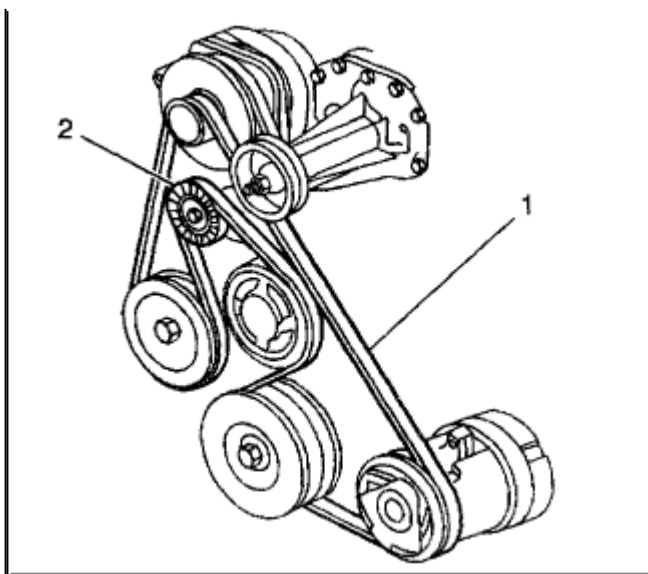


Zoom

Sized for Print

2. Rotate the tensioner (2) counterclockwise to remove the drive belt (1).
3. Remove the supercharger belt (1) from the engine.

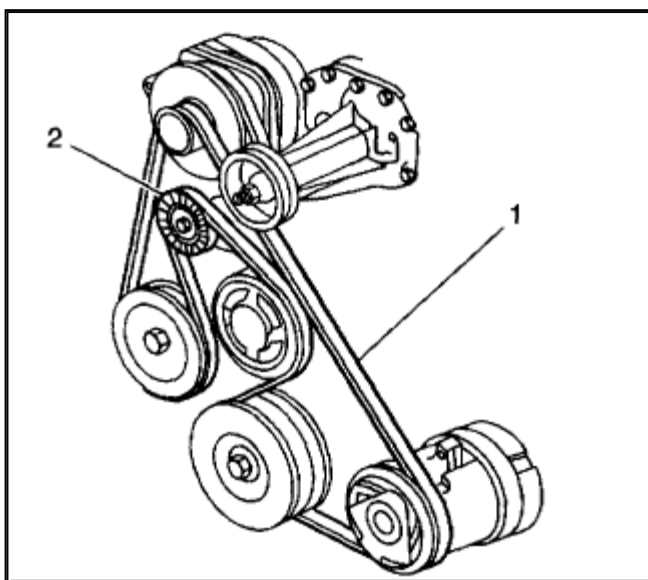




Zoom

Sized for Print

4. Rotate the tensioner (2) counterclockwise to remove the drive belt (1).
5. Remove the accessory belt (1) from the engine. **Installation Procedure**

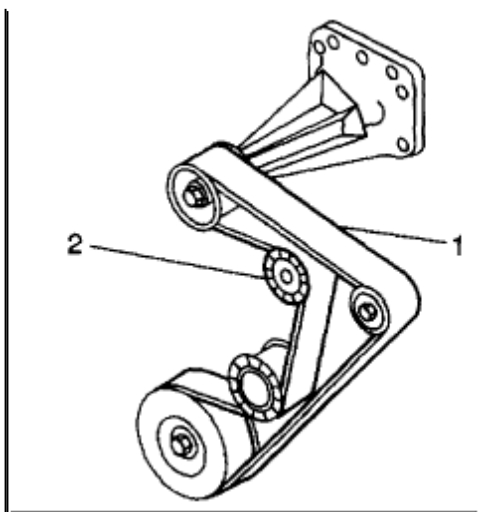


Zoom

Sized for Print

1. Position the accessory drive belt (1) to the pulleys.
2. Rotate the tensioner (2) counterclockwise to install the drive belt (1).





Zoom

Sized for Print

3. Position the supercharger drive belt (1) to the pulleys.
4. Rotate the tensioner (2) counterclockwise to install the drive belt (1).
5. Install the battery.