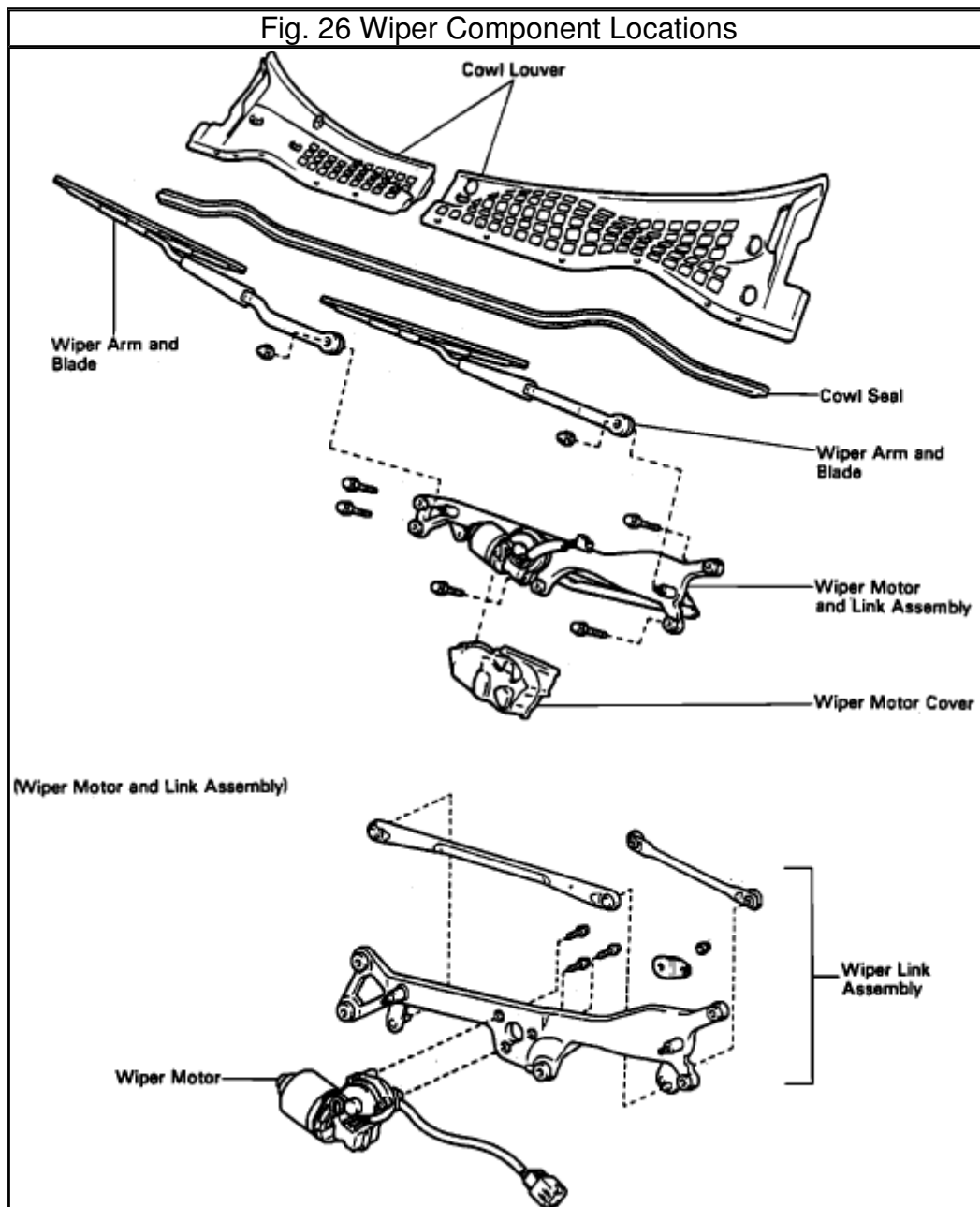


1995 Lexus SC 300 L6-3.0L (2JZ-GE)

Vehicle Level → Wiper and Washer Systems → Wiper Motor → Service and Repair ←

Service and Repair

[Notes](#)



Zoom

Sized for Print

1. Disconnect battery ground cable and disable airbag system as described under **MAINTENANCE PROCEDURE/AIRBAG SYSTEM DISARMING**.
2. Remove [wiper arm](#) and blade assemblies, **Fig. 26**.
3. Remove hood to cowl seal and cowl louver.
4. Remove five set bolts, then disconnect electrical connector.
5. Raise front side of wiper motor and link assembly up and remove wiper motor and link assembly.
6. Remove wiper motor cover.
7. Reverse procedure to install, **torque** four bolts to 48 in. lb.