

[Home](#) | [Account](#) | [Contact ALLDATA](#) | [Log Out](#) | [Help](#)

PAUL REDEHOFT

[Select Vehicle](#) | [New TSBs](#) | [Technician's Reference](#) Component Search:

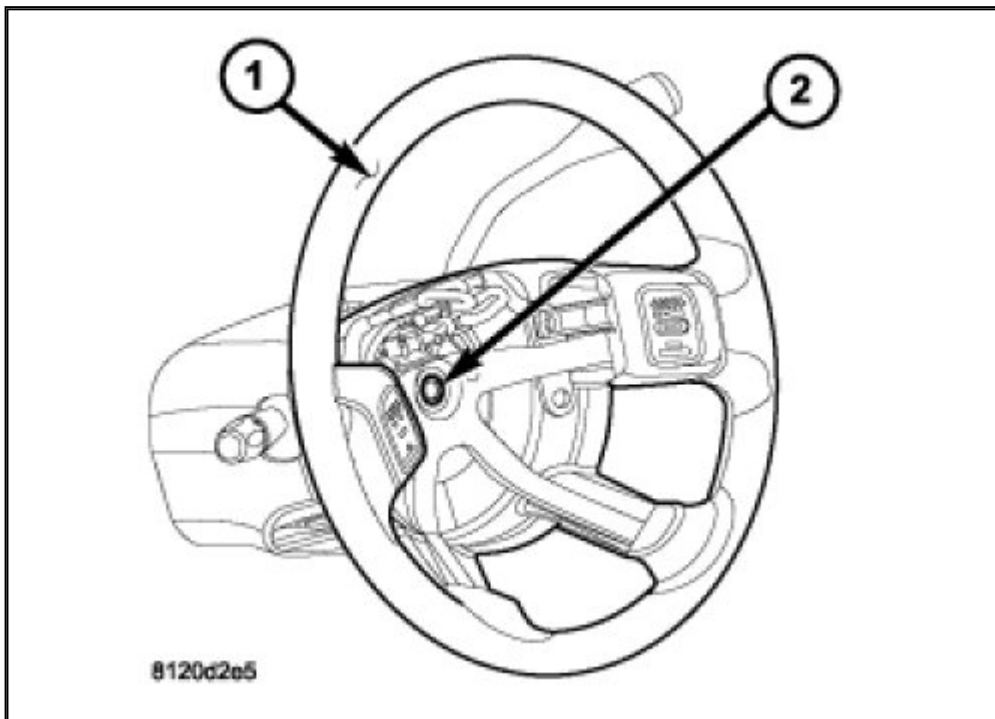
OK

[Conversion Calculator](#)**2007 Dodge Truck Durango 2WD V8-5.7L VIN 2**[Vehicle Level](#) → [Steering and Suspension](#) → [Steering](#) → [Steering Wheel](#) → [Service and Repair](#) → [Removal](#) ←

Removal

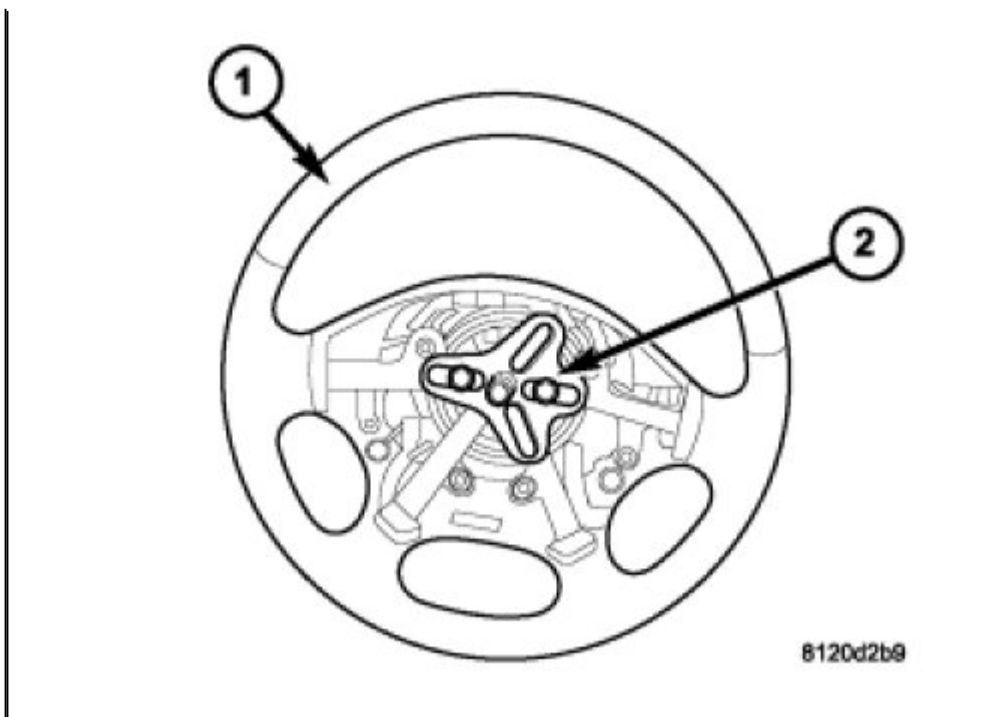
[Notes](#)

REMOVAL

[Zoom](#)[Sized for Print](#)

1. Disable and remove the driver's side airbag.
2. Partially remove the steering wheel bolt (2) and leave the bolt in the column.

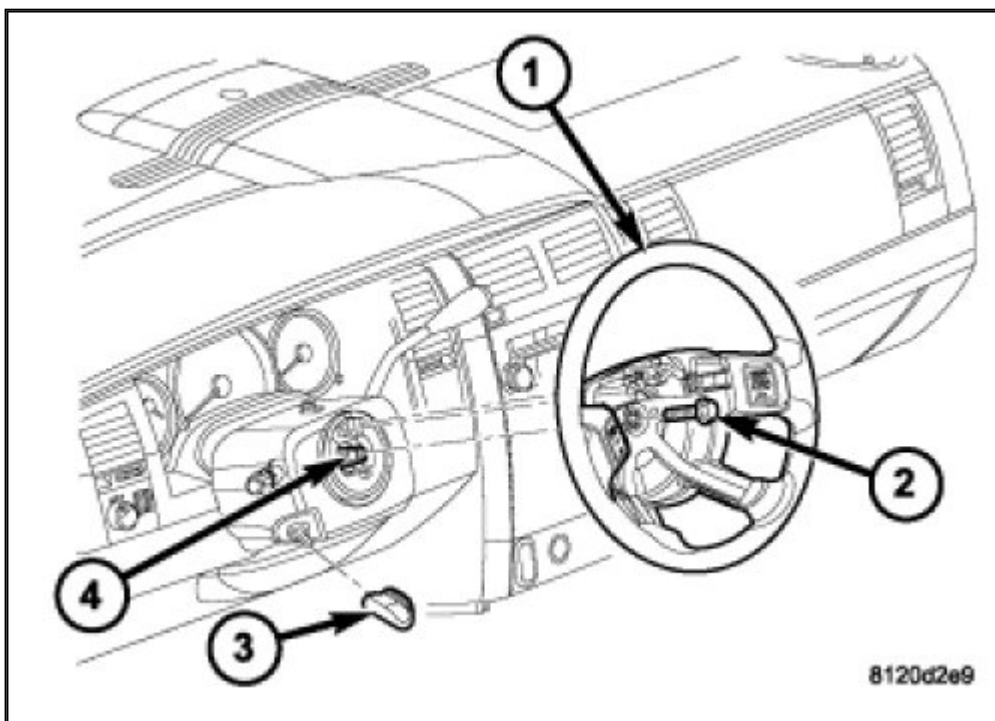




Zoom

Sized for Print

3. Install puller CJ98-1(2) or equivalent using the top of the bolt to push on.



Zoom

Sized for Print

4. Remove and discard the steering wheel bolt (2).
5. Remove the steering wheel (1).

© 2010 ALLDATA LLC. All rights reserved.
[Terms of Use](#)