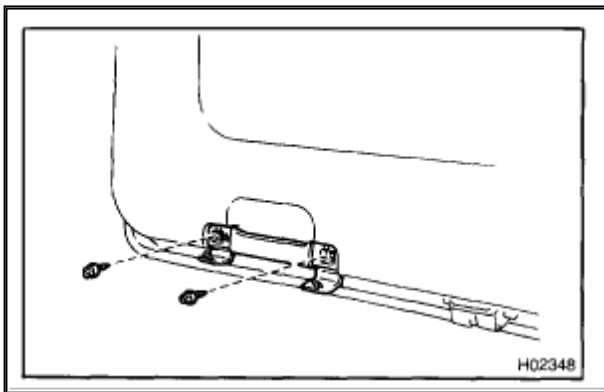
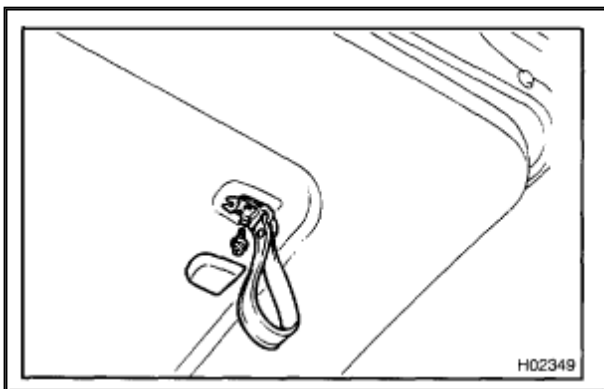


2001 Toyota Truck Sienna CE V6-3.0L (1MZ-FE)[Vehicle Level](#) → [Body and Frame](#) → [Doors, Hood and Trunk](#) → [Trunk / Liftgate](#) → [Service and Repair](#) ↗**Service and Repair**[Notes](#)**DISASSEMBLY****1. REMOVE BACK DOOR ASSIST GRIP**

Zoom

Sized for Print

- a. Using a screwdriver, open the covers. **HINT:** Tape the screwdriver tip before use.
- b. Remove the 2 screws and assist grip.

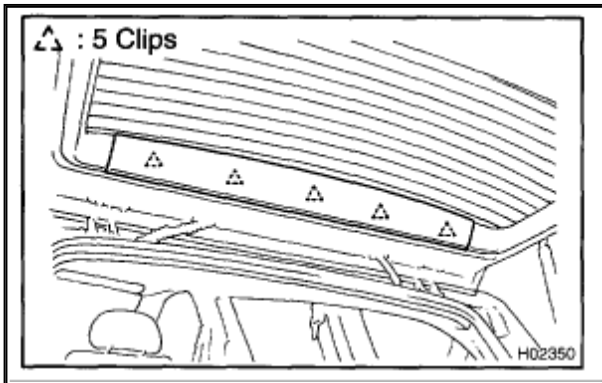
2. REMOVE BACK DOOR PULL STRAP

Zoom

Sized for Print

- a. Using a screwdriver, remove the strap cover. **HINT:** Tape the screwdriver tip

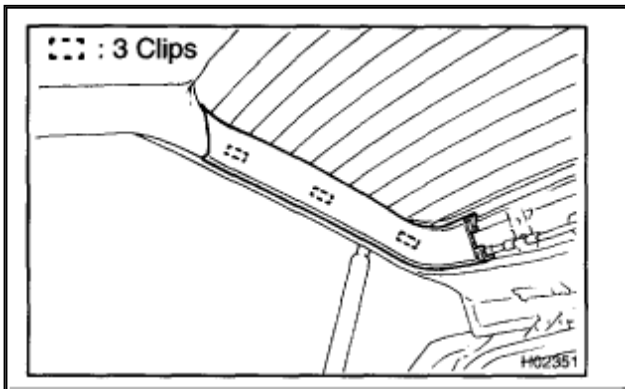
- before use.
- b. Remove the screw and pull strap.



Zoom

Sized for Print

- 3. REMOVE CENTER GARNISH Using a screwdriver, remove the center garnish. **HINT:** Tape the screwdriver tip before use.
- 4. REMOVE SIDE GARNISH



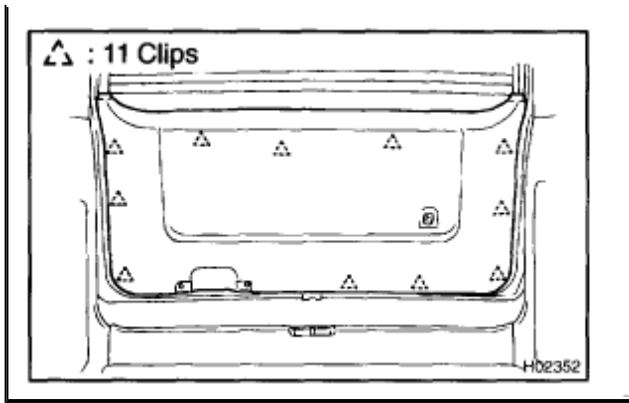
Zoom

Sized for Print

- a. Using a screwdriver, remove the side garnish. **HINT:** Tape the screwdriver tip before use.
- b. Employ the same manner described above to the other side.

5. REMOVE DOOR TRIM BOARD





Zoom

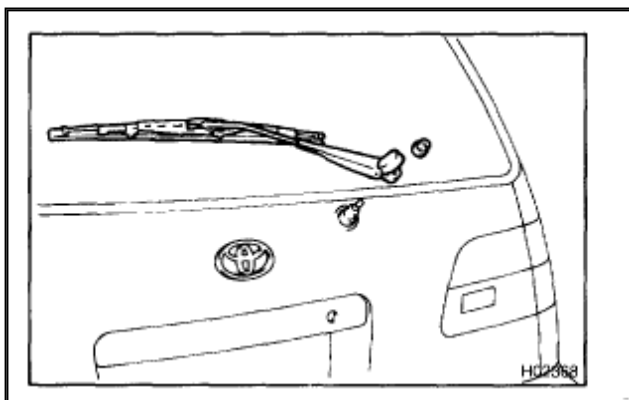
Sized for Print

- a. Insert a screwdriver between the door and door trim board to pry the door trim board out. **NOTE:** Be careful not to damage the door and door trim board. **HINT:** Tape the screwdriver tip before use.
- b. Pull the door trim board to remove it.

6. REMOVE HIGH-MOUNTED STOP LIGHT

- a. Remove the 2 screws.
- b. Disconnect the connector.
- c. Remove the high-mounted stop light.

7. REMOVE WASHER NOZZLE

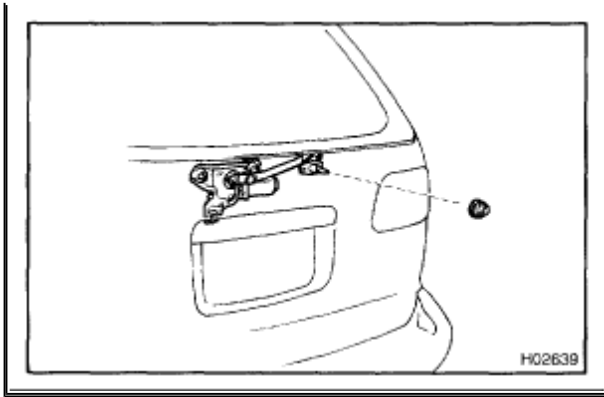


Zoom

Sized for Print

8. REMOVE REAR WIPER ARM Remove the nut, rear wiper arm.
Torque: 5.4 N.m (55 kgf.cm, 48 in.lbf)
9. REMOVE WIPER MOTOR AND LINK ASSEMBLY





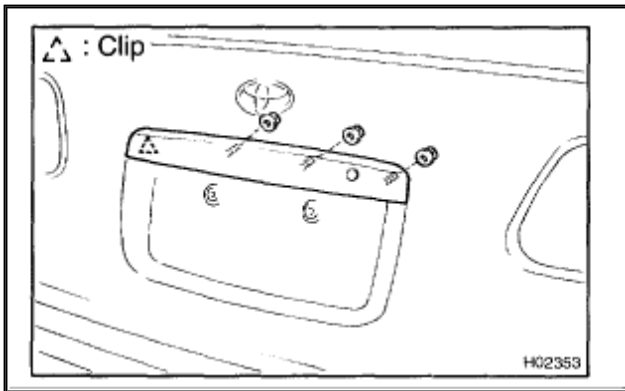
Zoom

Sized for Print

- a. Remove the 3 bolts from the wiper motor.
- b. Remove the 2 bolts and wiper motor and link assembly. **Torque: 5.4 N.m (55 kgf.cm, 48 in.lbf)**
- c. Remove the grommet.

10. REMOVE COMBINATION LIGHTS

11. REMOVE LICENSE PLATE LIGHT ASSEMBLY



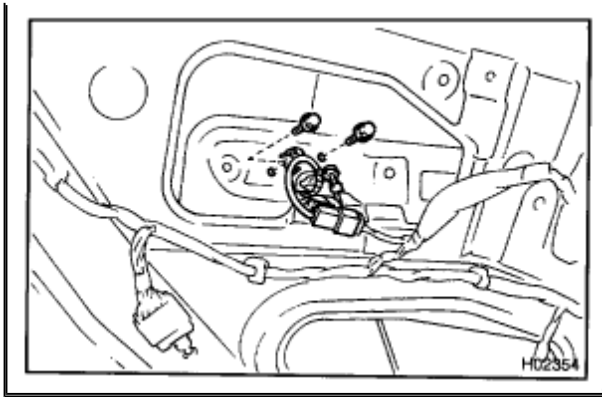
Zoom

Sized for Print

- a. Disconnect the back door control cable from the handle lever.
- b. Disconnect the connector.
- c. Remove the 3 nuts.
- d. Using a screwdriver, remove the license plate light assembly. **HINT:** Tape the screwdriver tip before use.
- e. Remove the handle lever from the license plate light cover.
- f. Remove the license plate light assembly from the license plate light cover.

12. REMOVE KEY CYLINDER



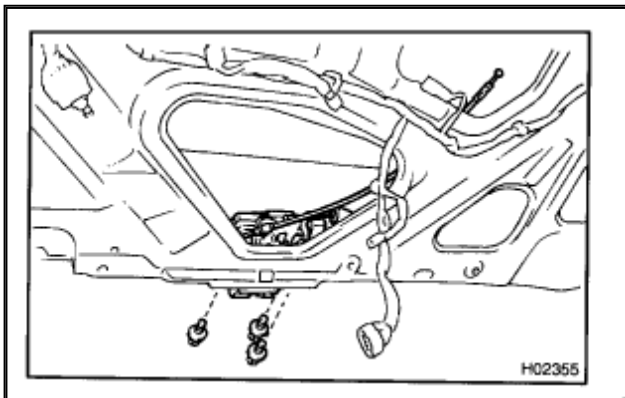


Zoom

Sized for Print

- a. Disconnect the back door lock locking link from the key cylinder.
- b. Disconnect the connector.
- c. Remove the 2 bolts and key cylinder. **Torque: 5.5 N.m (56 kgf.cm, 49 in.lbf)**

13. REMOVE BACK DOOR LOCK



Zoom

Sized for Print

- a. Disconnect the connectors.
- b. Remove the 3 bolts and door lock. **Torque: 7.8 N.m (80 kgf.cm, 69 in.lbf)**

REASSEMBLY

Reassembly is in the reverse order of disassembly.