

Select Vehicle | New TSBs | Technician's Reference Component Search:

OK

 Conversion Calculator

### 2002 Chrysler Truck Voyager V6-3.3L VIN R

[Vehicle Level](#) → [Heating and Air Conditioning](#) → [Housing Assembly HVAC](#) → [Service and Repair](#) → [Front HVAC Housing](#) ←

## Front HVAC Housing

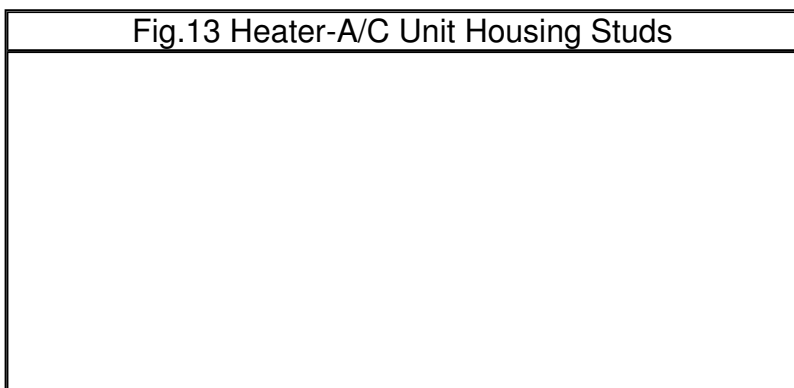
[Notes](#)

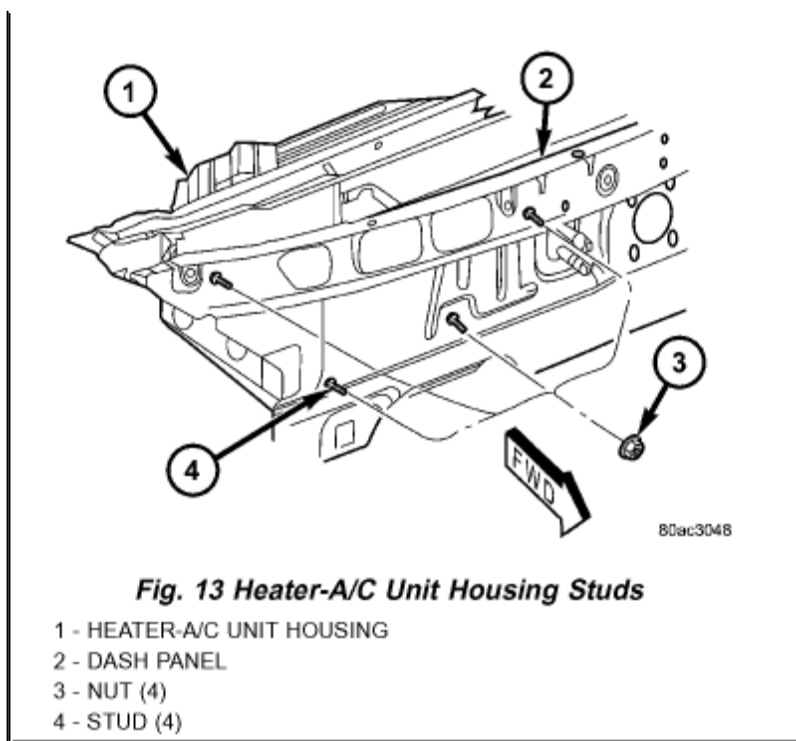
### REMOVAL

#### WARNING:

- REFER TO THE APPLICABLE WARNINGS AND CAUTIONS FOR THIS SYSTEM BEFORE PERFORMING THE FOLLOWING OPERATION,
  - ON VEHICLES EQUIPPED WITH AIRBAGS, DISABLE THE AIRBAG SYSTEM BEFORE ATTEMPTING ANY STEERING WHEEL, STEERING COLUMN, OR INSTRUMENT PANEL COMPONENT DIAGNOSIS OR SERVICE. DISCONNECT AND ISOLATE THE BATTERY NEGATIVE (GROUND) CABLE THEN WAIT TWO MINUTES FOR THE AIRBAG SYSTEM CAPACITOR TO DISCHARGE BEFORE PERFORMING FURTHER DIAGNOSIS OR SERVICE. THIS IS THE ONLY SURE WAY TO DISABLE THE AIRBAG SYSTEM. FAILURE TO TAKE THE PROPER PRECAUTIONS COULD RESULT IN ACCIDENTAL AIRBAG DEPLOYMENT AND POSSIBLE PERSONAL INJURY.
1. Recover the [refrigerant](#) from the refrigerant system. Refer to "**Refrigerant : Service and Repair**" [See: Refrigerant\Service and Repair](#)
  2. Drain the engine cooling system. Refer to "**Engine, Cooling and Exhaust : Cooling System : Service and Repair**" [See: Engine, Cooling and Exhaust\Cooling System\Service and Repair](#)
  3. Disconnect and isolate the battery negative cable.
  4. Disconnect the liquid line and suction line from the [expansion valve](#). Refer to "[Heater Hose : Service and Repair](#)" [See: Heater Hose\Service and Repair](#)
  5. Disconnect the [heater hoses](#) from the [heater core](#) tubes.

Fig.13 Heater-A/C Unit Housing Studs

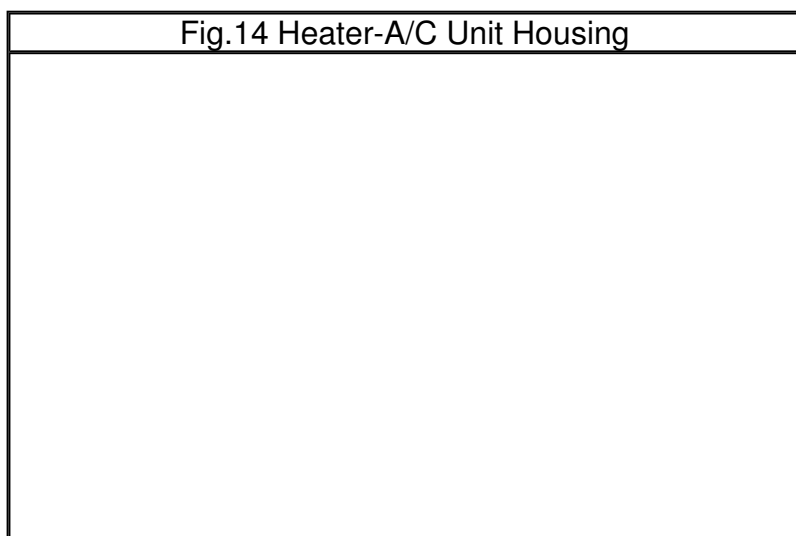


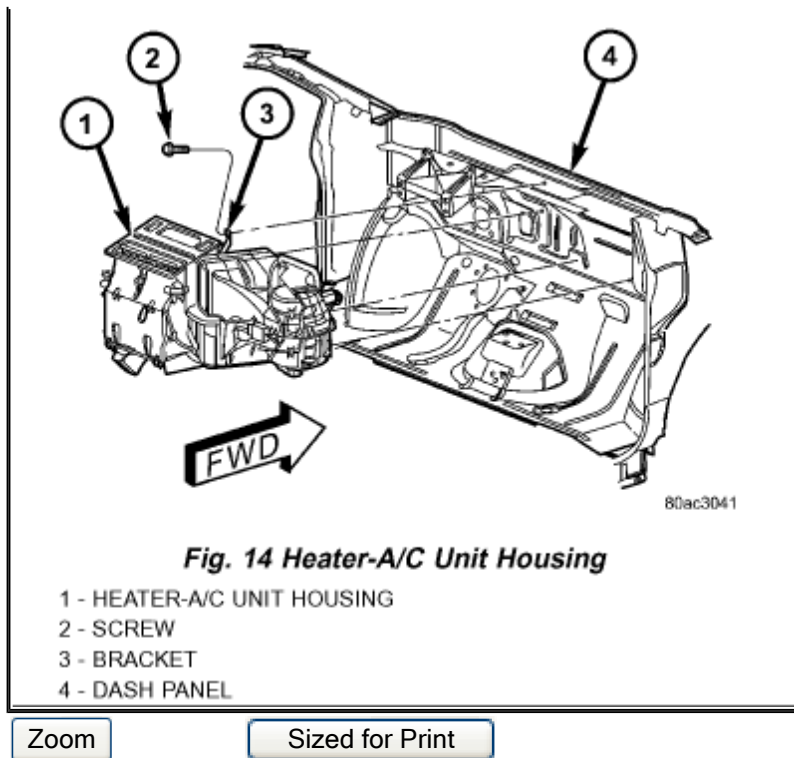


Zoom

Sized for Print

6. Remove the four nuts that secure the heater-A/C unit housing studs to the engine compartment side of the dash panel.
7. Remove the instrument panel from the passenger compartment. Refer to: **Body and Frame, Interior Trim, Dashboard/Instrument Panel, Service and Repair, Instrument Panel Service Procedures, Instrument Panel Assembly Replacement**, [See: Body and Frame\Interior Moulding / Trim\Dashboard / Instrument Panel\Service and Repair\Instrument Panel Service Procedures\Instrument Panel Assembly Replacement](#)
8. Remove the floor distribution duct from the heater-A/C unit housing. Refer to: **"Air Duct : Service and Repair"** [See: Air Duct\Service and Repair](#)





9. Remove the one screw that secures the heater-A/C unit housing bracket to the passenger compartment side of the dash panel.
10. Pull the heater-A/C unit housing rearward far enough for the mounting studs to clear the dash panel and remove the unit from the passenger compartment.

## INSTALLATION

1. Position the heater-A/C unit housing against the dash panel in the passenger compartment with the four mounting studs located in their proper mounting holes in the dash panel.
2. Install and tighten the one screw that secures the heater-A/C unit housing bracket to the passenger compartment side of the dash panel. Tighten the screw to **3 Nm (26 in. lbs.)** .
3. Install and tighten the four nuts that secure the heater-A/C unit housing studs to the engine compartment side of the dash panel. Tighten the nuts to **7 Nm (62 in. lbs.)** .
4. Reinstall the floor distribution duct onto the heater-A/C unit housing. Refer to: "[Air Duct : Service and Repair](#)" [See: Air Duct\Service and Repair](#)
5. Reinstall the instrument panel into the passenger compartment. Refer to: **Body and Frame, Interior Trim, Dashboard/Instrument Panel, Service and Repair, Instrument Panel Service Procedures, Instrument Panel Assembly Replacement**, [See: Body and Frame\Interior Moulding / Trim\Dashboard / Instrument Panel\Service and Repair\Instrument Panel Service Procedures\Instrument Panel Assembly Replacement](#)
6. Reconnect the [heater hoses](#) to the [heater core](#) tubes. Refer to "**Heater Hose** :

- Service and Repair"** [See: Heater Hose\Service and Repair](#)
7. Reconnect the suction line and liquid line to the [expansion valve](#).
  8. Reconnect the battery negative cable.
  9. Refill the engine cooling system. Refer to **"Engine, Cooling and Exhaust : Cooling System : Service and Repair"** [See: Engine, Cooling and Exhaust\Cooling System\Service and Repair](#)
  10. Evacuate the [refrigerant](#) system. Refer to **"Refrigerant : Service and Repair"** [See: Refrigerant\Service and Repair](#)
  11. Charge the [refrigerant](#) system.