

Select Vehicle | New TSBs | Technician's Reference Component Search:

OK

Conversion Calculator

2000 Chevy Truck S10/T10 P/U 2WD V6-4.3L VIN W[Vehicle Level](#) → [Restraint Systems](#) → [Air Bag Systems](#) → [Air Bag](#) → [Service and Repair](#) → [Inflator Module Replacement](#) → [Steering Wheel Module Replacement](#) ←

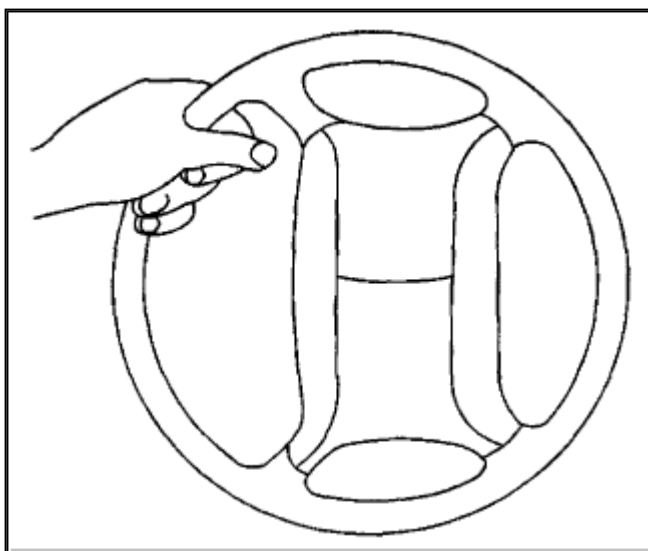
Steering Wheel Module Replacement

[Notes](#)

REMOVAL PROCEDURE

CAUTION: Refer to [Air Bag Systems Service Precautions](#).

1. Disable the SIR system. Refer to Disabling the SIR System.
2. Turn the ignition switch to the ON position in order to unlock the steering wheel.

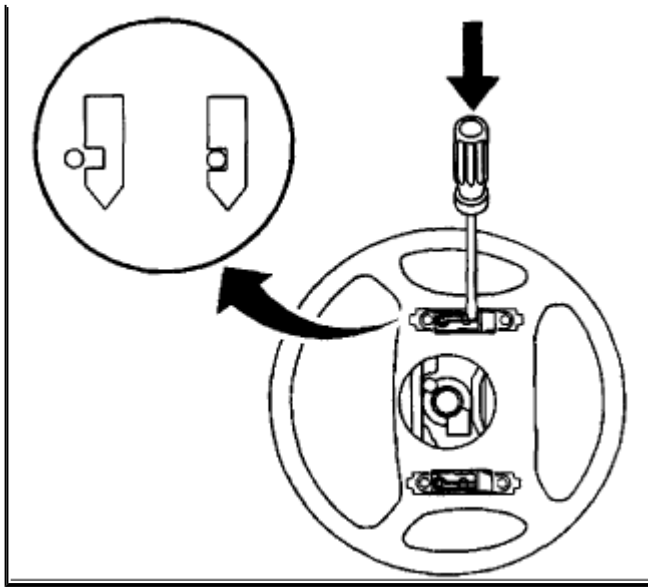


Zoom

Sized for Print

3. Turn the steering wheel **90 degrees** from the straight-ahead position in order to gain access to the access holes behind the steering wheel.

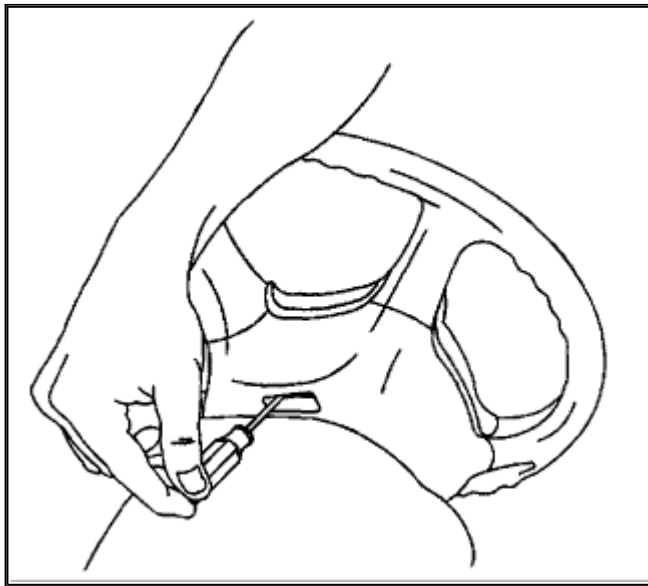




Zoom

Sized for Print

4. Insert a screwdriver into each access hole and push the leaf spring to release the pin that retains the inflator module.
5. Turn the steering wheel **180 degrees** in order to gain access to the remaining access holes.

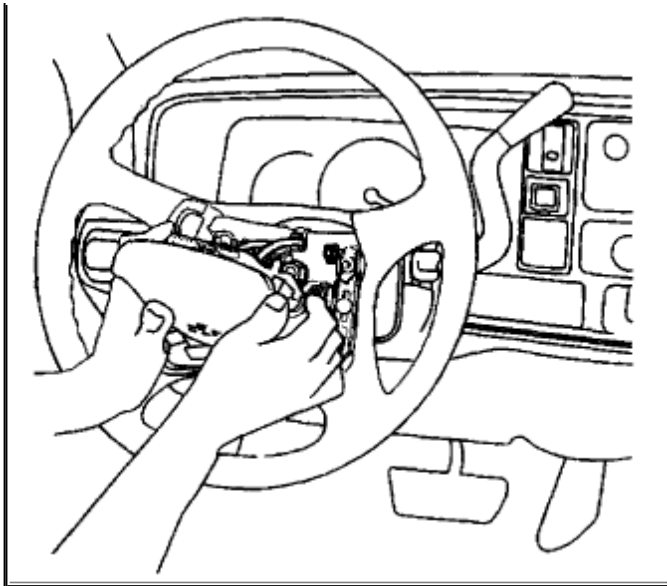


Zoom

Sized for Print

6. Insert a screwdriver into each access holes and push the leaf spring to release the pin that retains the inflator module.

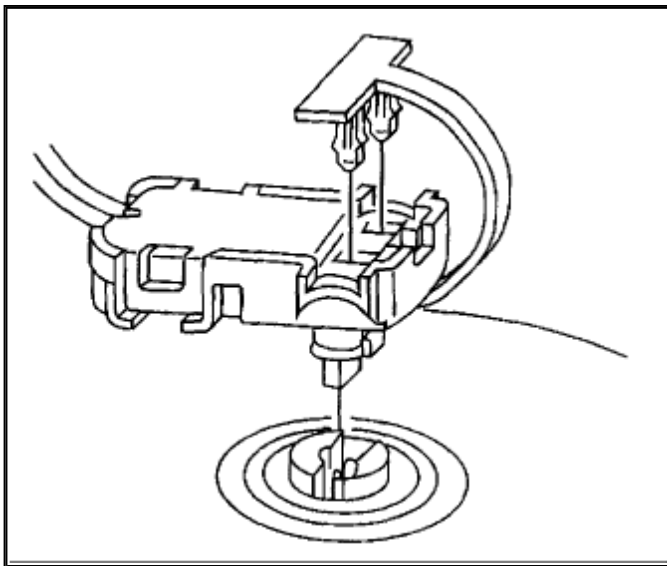




Zoom

Sized for Print

7. Tilt the top of the inflator module rearward to gain access to the SIR wiring.
8. Disconnect the SIR lead wire from the clip on the inflator module.
9. Disconnect the SIR lead wire from the clip on the steering wheel.
10. Disconnect the Connector Position Assurance (**CPA**) retainer.



Zoom

Sized for Print

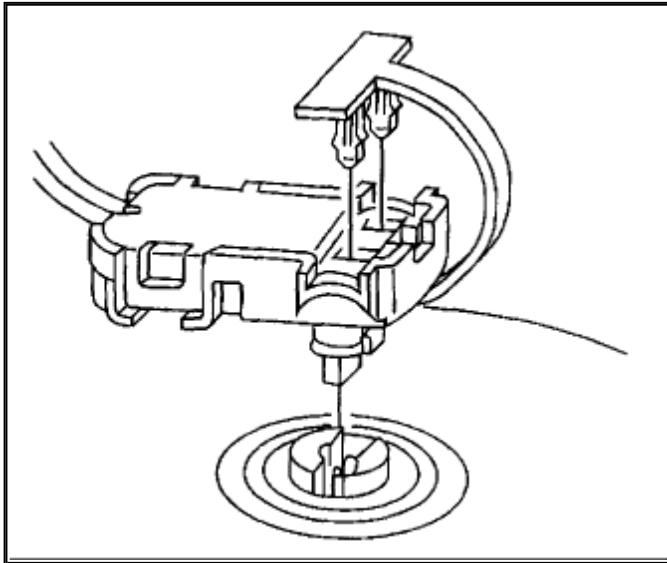
11. Disconnect the electrical connector.

CAUTION: Refer to Inflator Module Handling Caution in Service Precautions.

12. Remove the inflator module from the vehicle.

INSTALLATION PROCEDURE

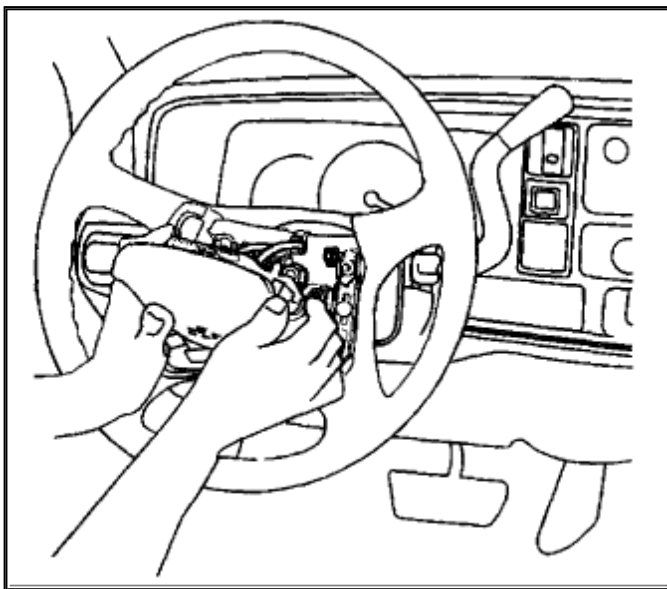
CAUTION: Refer to Inflator Module Handling Caution in Service Precautions.



Zoom

Sized for Print

1. Connect the SIR electrical connector.
2. Connect the CPA retainer to the SIR connector.
3. Install the SIR lead wire to the clip on the steering wheel.
4. Install the SIR lead wire to the clip on the inflator module. **IMPORTANT:** Ensure that the SIR wires do not get pinched during installation of the inflator module.



Zoom

Sized for Print

5. Press the inflator module into the steering wheel firmly enough that the

- module engages and latches the notched pins in the leaf springs.
6. Rotate the steering wheel back into the straight position.
 7. Enable the SIR system. Refer to Enabling the SIR System.

© 2010 ALLDATA LLC. All rights reserved.
[Terms of Use](#)