

[Home](#) | [Account](#) | [Contact ALLDATA](#) | [Log Out](#) | [Help](#)

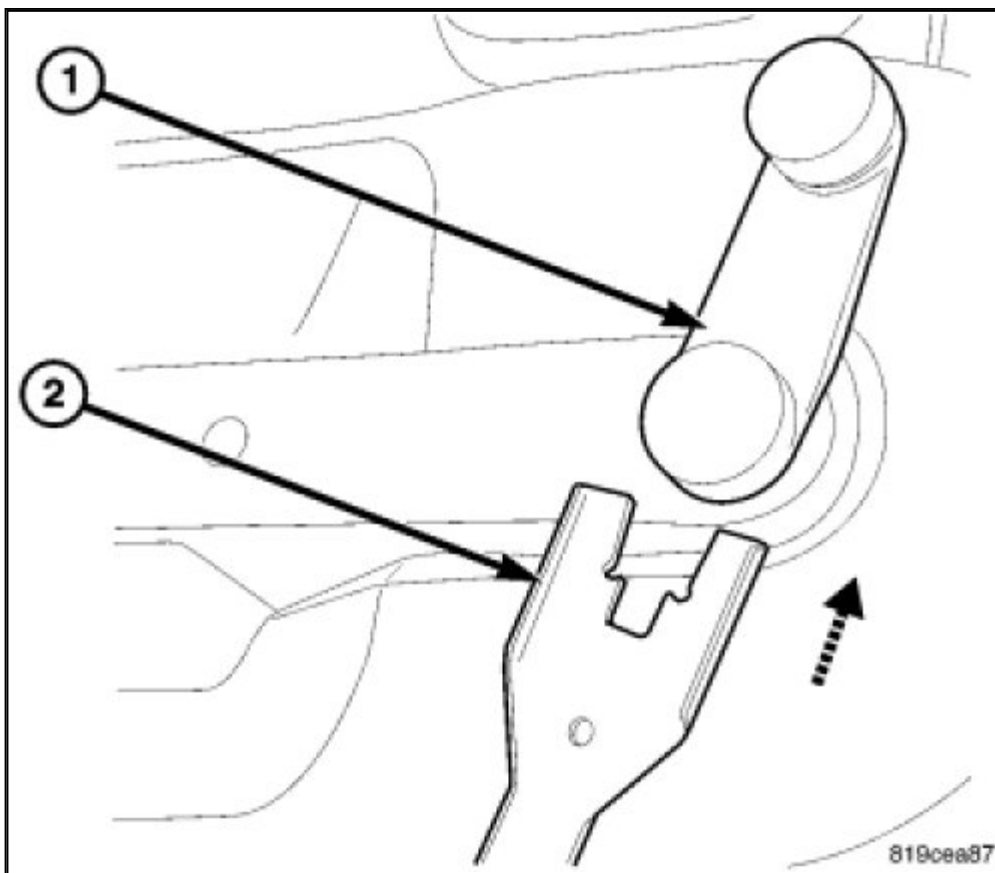
PAUL REDEHOFT

[Select Vehicle](#) | [New TSBs](#) | [Technician's Reference](#) | Component Search:

OK

[Conversion Calculator](#)**2008 Jeep Truck Wrangler 2WD V6-3.8L**

[Vehicle Level](#) → [Body and Frame](#) → [Doors, Hood and Trunk](#) → [Front Door Panel](#) → [Service and Repair](#)
→ [Front Door Trim Panel - Removal](#) → [Full Front Door](#) ←

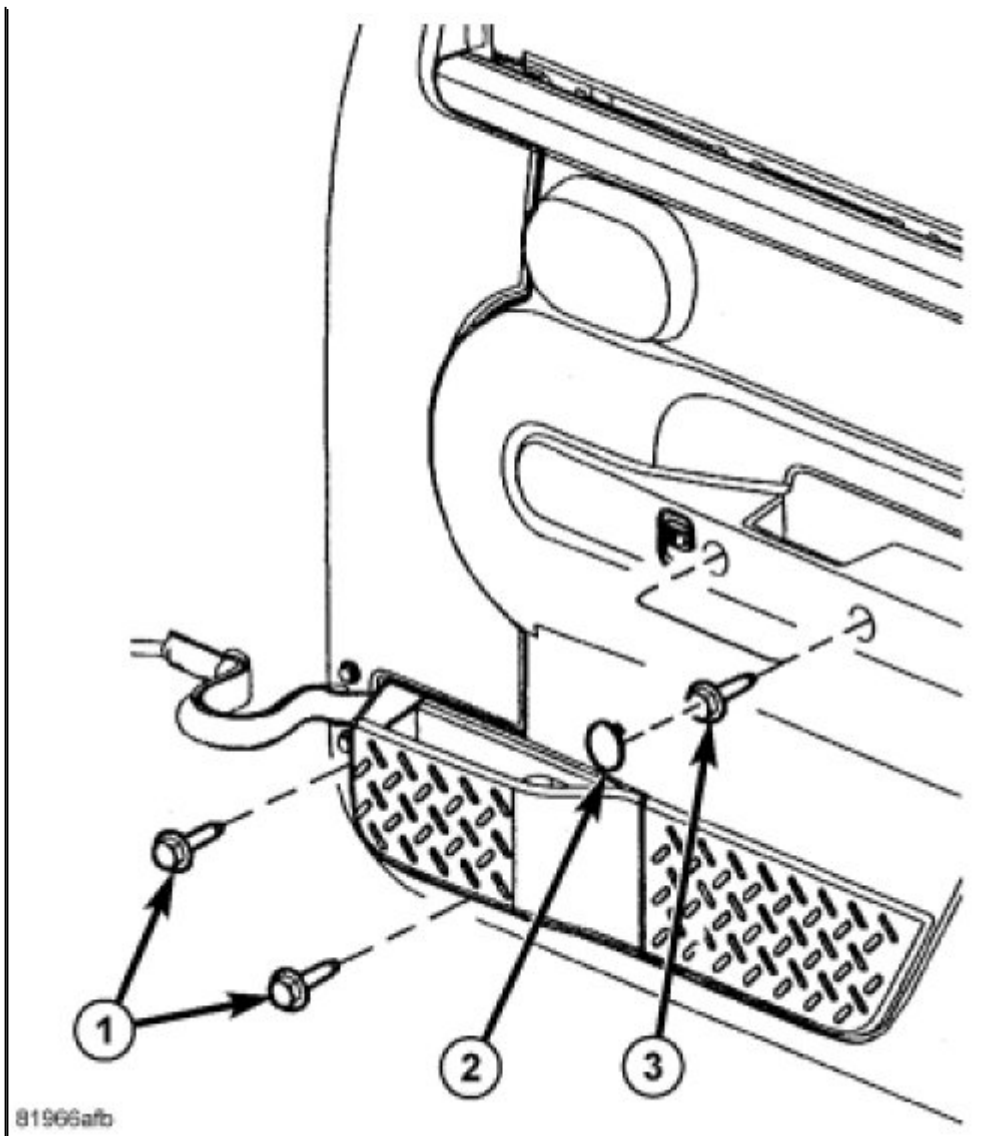
Full Front Door[Notes](#)**REMOVAL**

Zoom

Sized for Print

1. Using a standard window handle tool (2), release the handle clips and remove the handle (1) from the window lift mechanism, if equipped with a manual regulator.



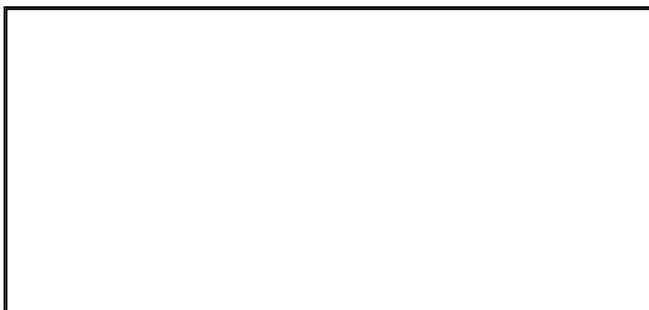


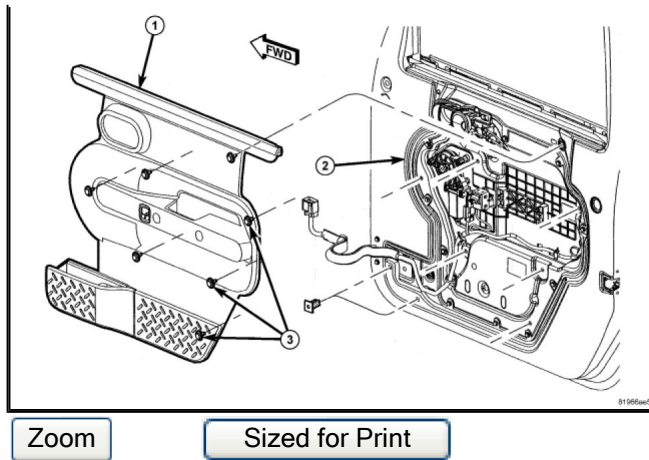
Zoom

Sized for Print

NOTE: Full front door shown, rear door similar.

2. Remove the pull handle trim plugs (2) and remove the pull handle screws (3).
3. Remove the screws (1), if equipped.





NOTE: Full front door shown, rear door similar.

4. Using a trim stick C-4829 or equivalent, starting at the bottom by the check strap, separate the push pin fasteners (3) and remove the [trim panel](#) (1).