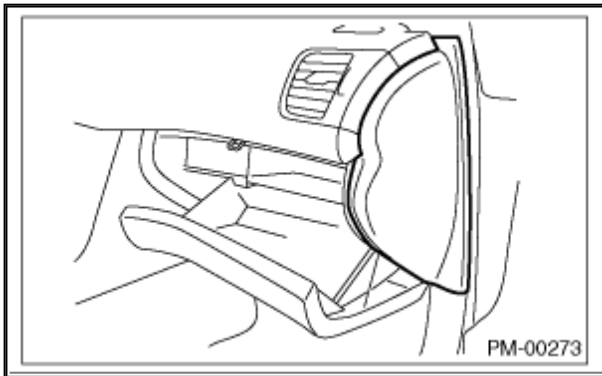


2009 Subaru Outback F4-2.5L[Vehicle Level](#) → [Maintenance](#) → [Filters](#) → [Cabin Air Filter](#) → [Service and Repair](#) ←**Service and Repair**[Notes](#)**A/C Filter****REPLACEMENT**

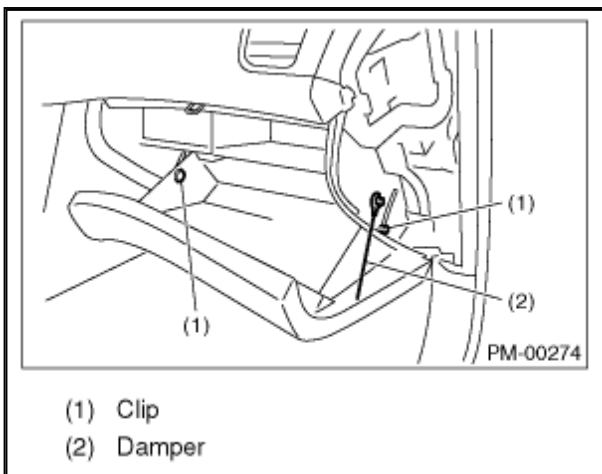
1. Remove the instrument panel side cover.



Zoom

Sized for Print

2. Remove the clip and the damper (string).



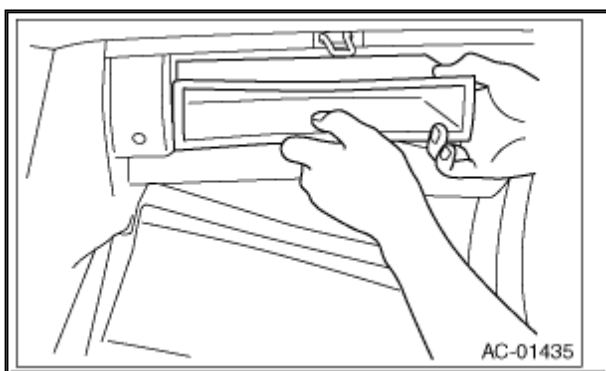
(1) Clip

(2) Damper

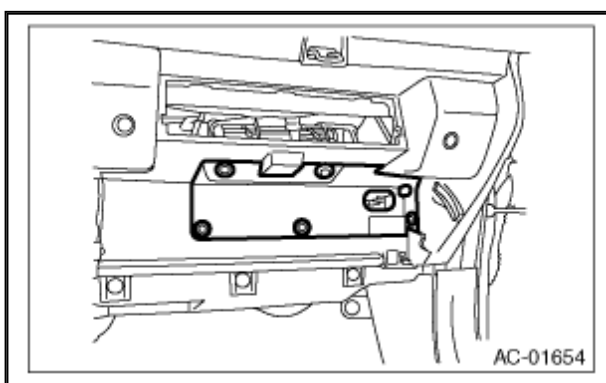
Zoom

Sized for Print

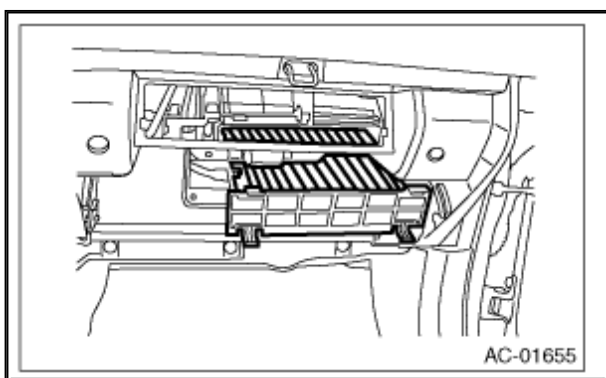
3. Remove the upper storage box.

[Zoom](#)[Sized for Print](#)

4. Remove the screws, and then remove the cover.

[Zoom](#)[Sized for Print](#)

5. Remove the A/C filter.

[Zoom](#)[Sized for Print](#)

6. Install in the reverse order of removal.

© 2010 ALLDATA LLC. All rights reserved.
[Terms of Use](#)