

2000 Dodge Truck Dakota 2WD V8-5.9L VIN Z LDC

Vehicle Level → Engine, Cooling and Exhaust → Cooling System → Radiator → Service and Repair
→ Removal and Installation ←

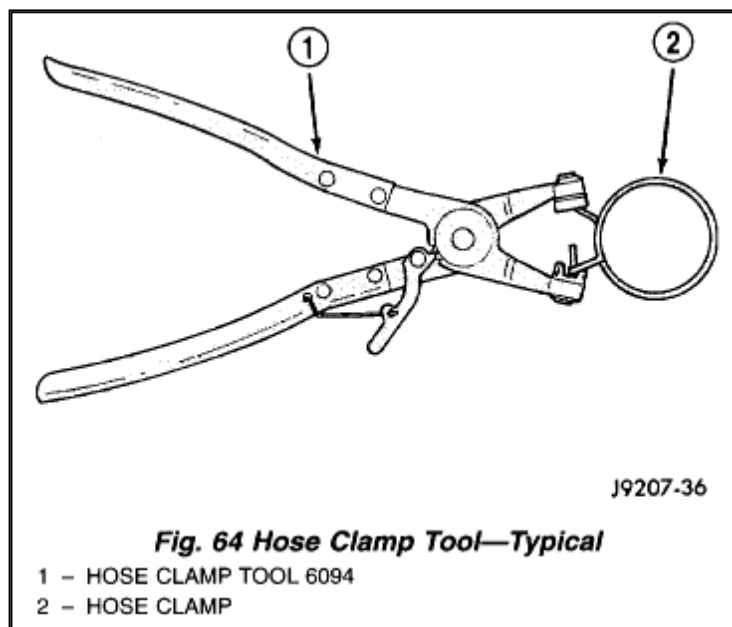
Removal and Installation

[Notes](#)

REMOVAL

WARNING: DO NOT REMOVE CYLINDER BLOCK DRAIN PLUGS OR LOOSEN RADIATOR DRAINCOCK WITH SYSTEM HOT AND UNDER PRESSURE. SERIOUS BURNS FROM COOLANT CAN OCCUR.

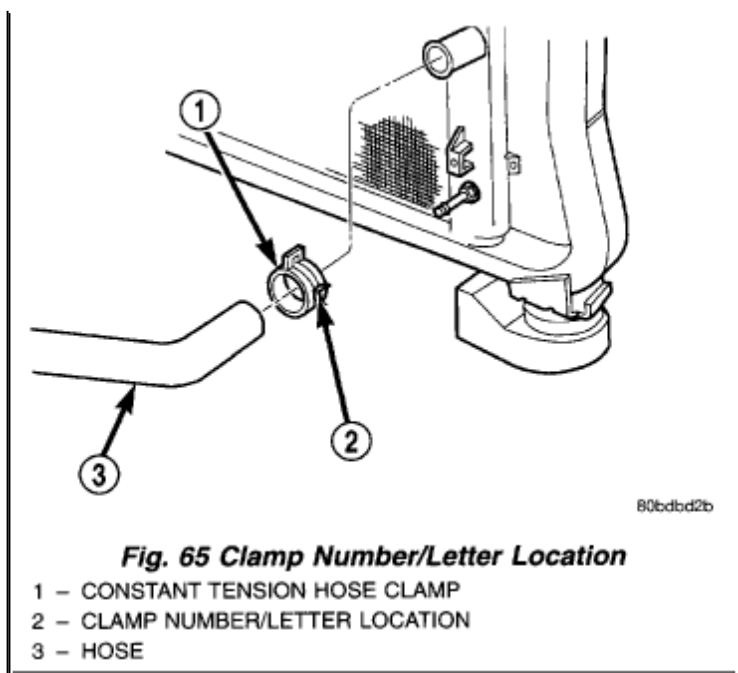
1. Disconnect battery negative cable.
2. Drain [cooling system](#).



Zoom

Sized for Print

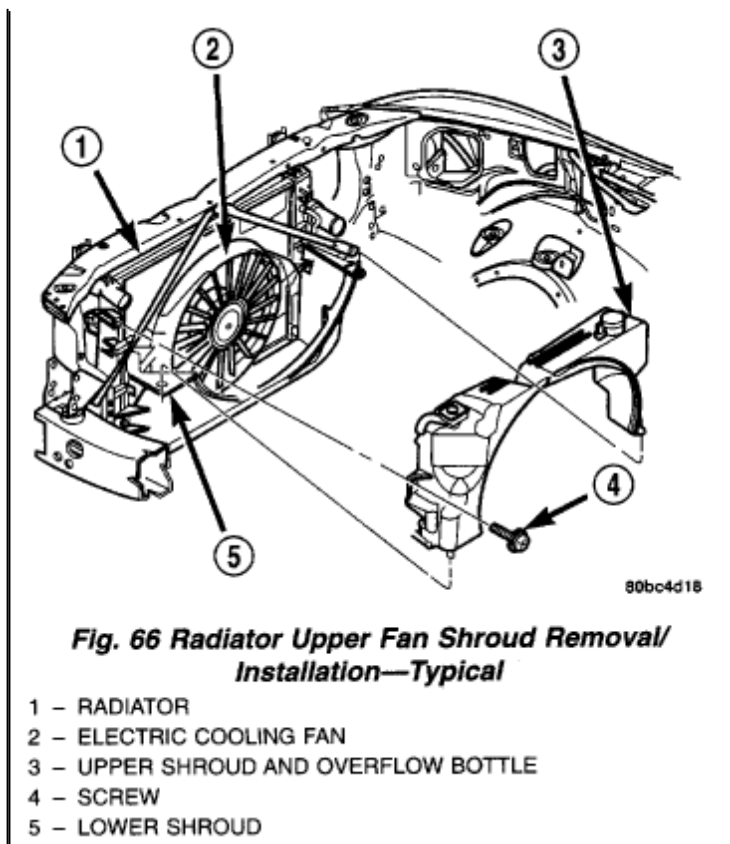
WARNING: CONSTANT TENSION HOSE CLAMPS ARE USED ON MOST [COOLING SYSTEM](#) HOSES. WHEN REMOVING OR INSTALLING, USE ONLY TOOLS DESIGNED FOR SERVICING THIS TYPE OF CLAMP, SUCH AS SPECIAL CLAMP TOOL (NUMBER 6094). SNAP-ON CLAMP TOOL (NUMBER HPC-20) MAY BE USED FOR LARGER CLAMPS. ALWAYS WEAR SAFETY GLASSES WHEN SERVICING CONSTANT TENSION CLAMPS.

[Zoom](#)[Sized for Print](#)

CAUTION: A number or letter is stamped into the tongue of constant tension clamps. If replacement is necessary, use only an original equipment clamp with matching number or letter.

3. Remove hose clamps and hoses from radiator. Disconnect coolant reserve/overflow tank hose and washer bottle electrical connector and hose.
4. Remove upper [fan shroud](#) mounting screws. Lift upper fan shroud assembly up and out of engine compartment.
5. Disconnect electric cooling fan motor connector.





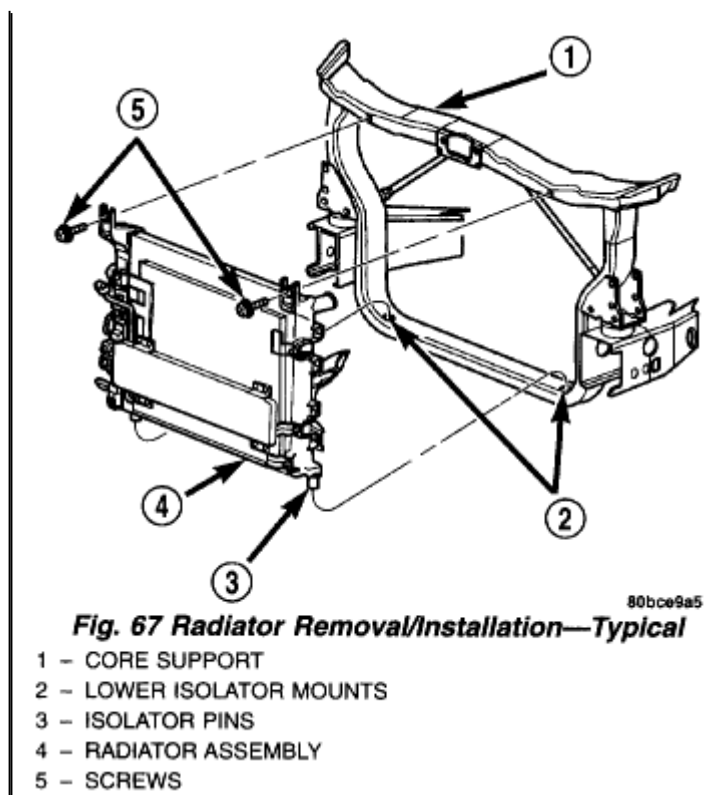
Zoom

Sized for Print

6. Remove radiator upper mounting screws . Lift radiator upward and away from vehicle. Do not allow cooling fins of radiator to contact any other vehicle component. Radiator fin damage could result.

INSTALLATION





Zoom

Sized for Print

The radiator has two isolator pins on bottom of both tanks. These fit into alignment holes in radiator lower support.

1. Position isolator pins into alignment holes in radiator lower support.
2. Install and tighten radiator mounting bolts to **23 Nm (200 inch lbs.)** .
3. Connect fan motor electrical connector to harness connector.
4. Position upper [fan shroud](#) onto lower fan shroud and radiator.
5. Install retaining screws into shroud.
6. Install [radiator hoses](#). reconnect coolant reserve/overflow tank hose.
7. Connect battery negative cable.
8. Fill [cooling system](#).
9. Start and warm the engine. Check for leaks.