

[Home](#) | [Account](#) | [Contact ALLDATA](#) | [Log Out](#) | [Help](#)

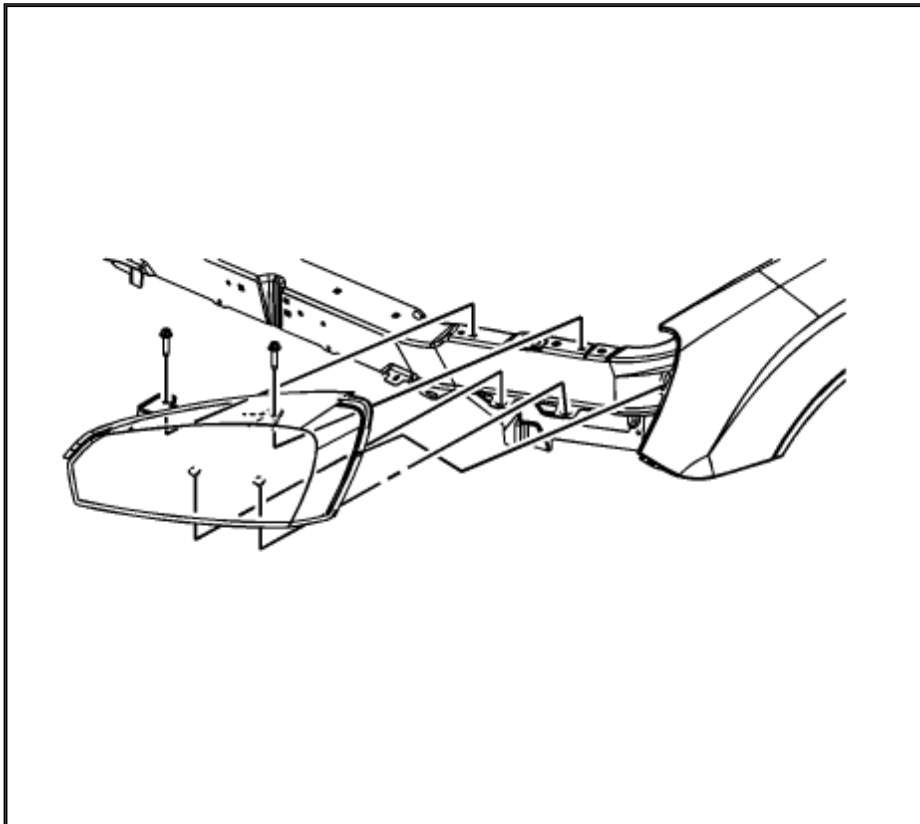
PAUL REDEHOFT

[Select Vehicle](#) | [New TSBs](#) | [Technician's Reference](#) | Component Search:

OK

[Conversion Calculator](#)**2007 Chevrolet Malibu V6-3.5L**[Vehicle Level](#) → [Lighting and Horns](#) → [Headlamp](#) → [Service and Repair](#) ←**Service and Repair**[Notes](#)**Headlamp Assembly or [Headlamp Bulb](#) and/or Cornering, Sidemarkers, Park, Turn Signal Bulb Replacement****Removal Procedure****Caution: Refer to Halogen Bulb Caution.**

1. Open the hood.

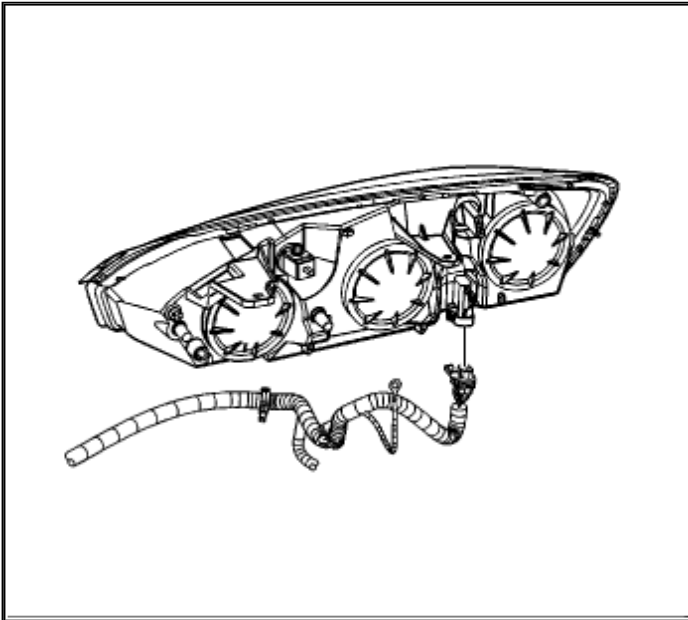


Zoom

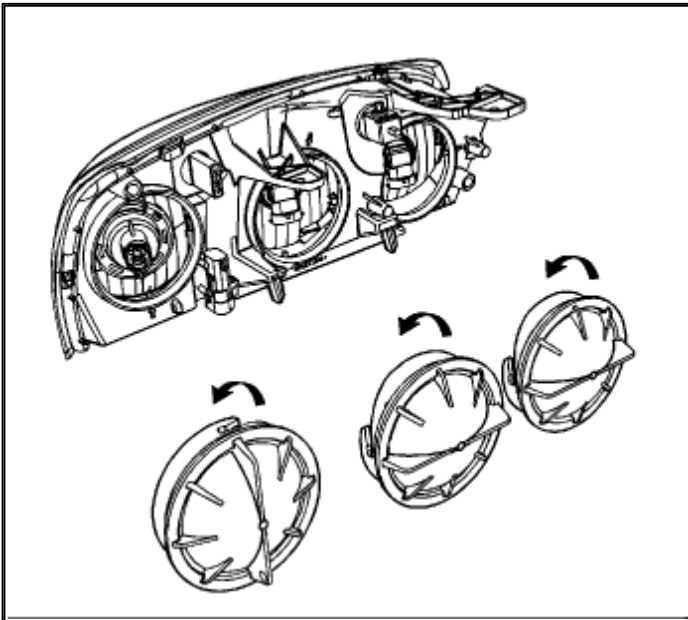
Sized for Print

Important: Hold the headlamp to prevent damage to the headlamp or to the fascia.

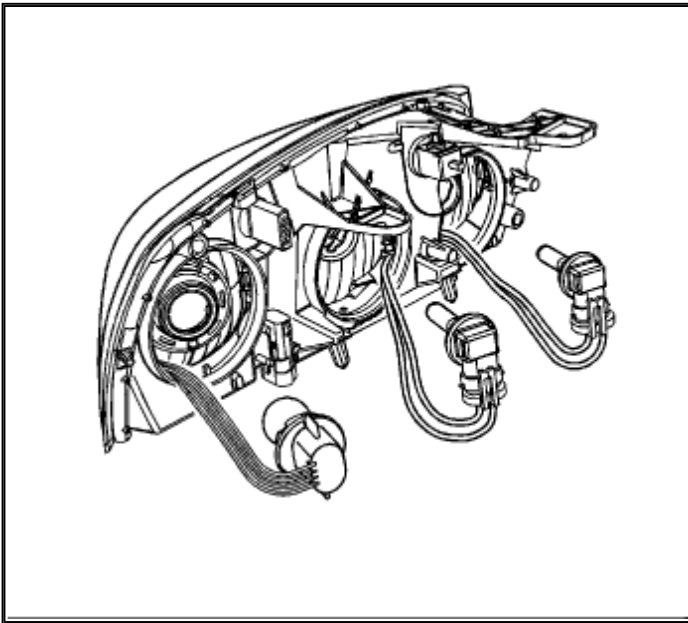
2. Remove the bolts from the headlamp assembly.
3. Lift the headlamp assembly to unseat the tabs on the bottom and the edge of the fender.

[Zoom](#)[Sized for Print](#)

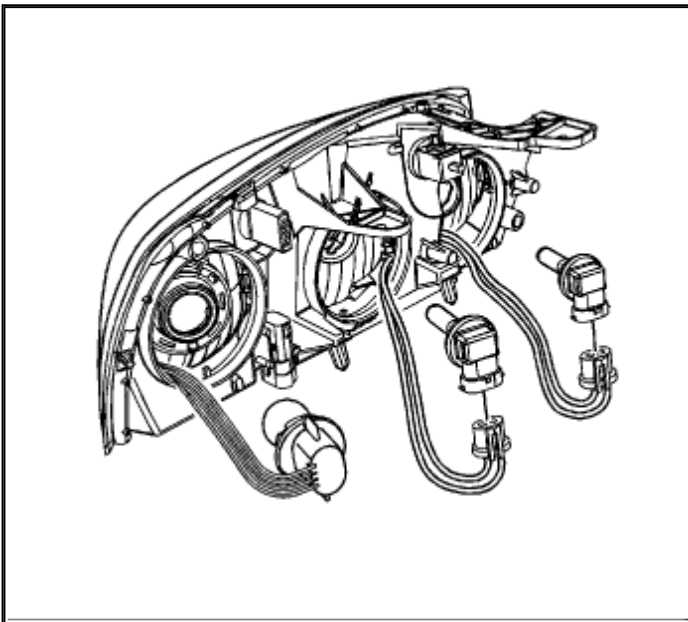
4. Disconnect the electrical connector from the headlamp assembly.
5. Remove the headlamp assembly away from the vehicle, if necessary.

[Zoom](#)[Sized for Print](#)

6. Remove the [headlamp bulb](#) access cover by rotating the headlamp bulb access cover counterclockwise, if necessary.

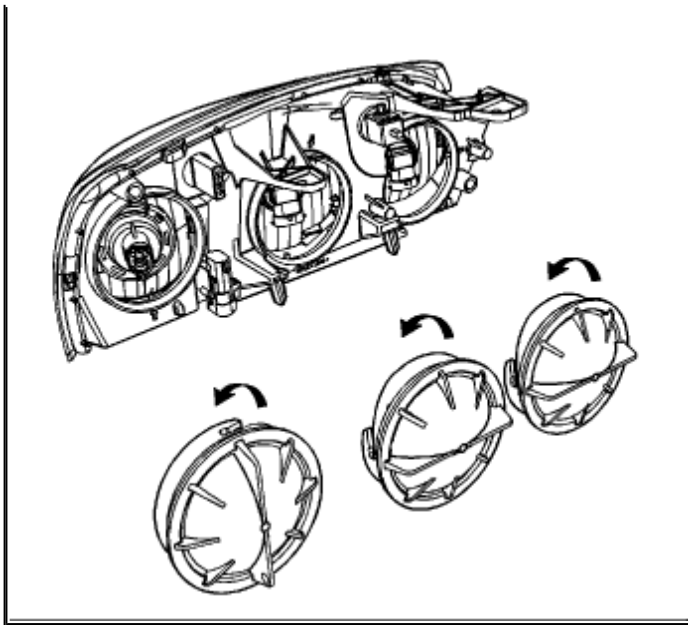
[Zoom](#)[Sized for Print](#)

7. Remove the [headlamp bulb](#) from the housing by rotating the socket counterclockwise, if necessary.

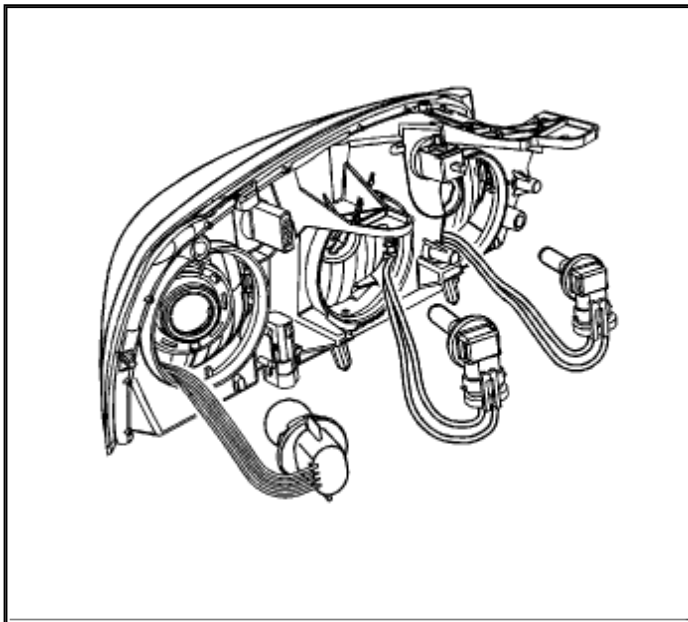
[Zoom](#)[Sized for Print](#)

8. Disconnect the [headlamp bulb](#) electrical connector, if necessary.



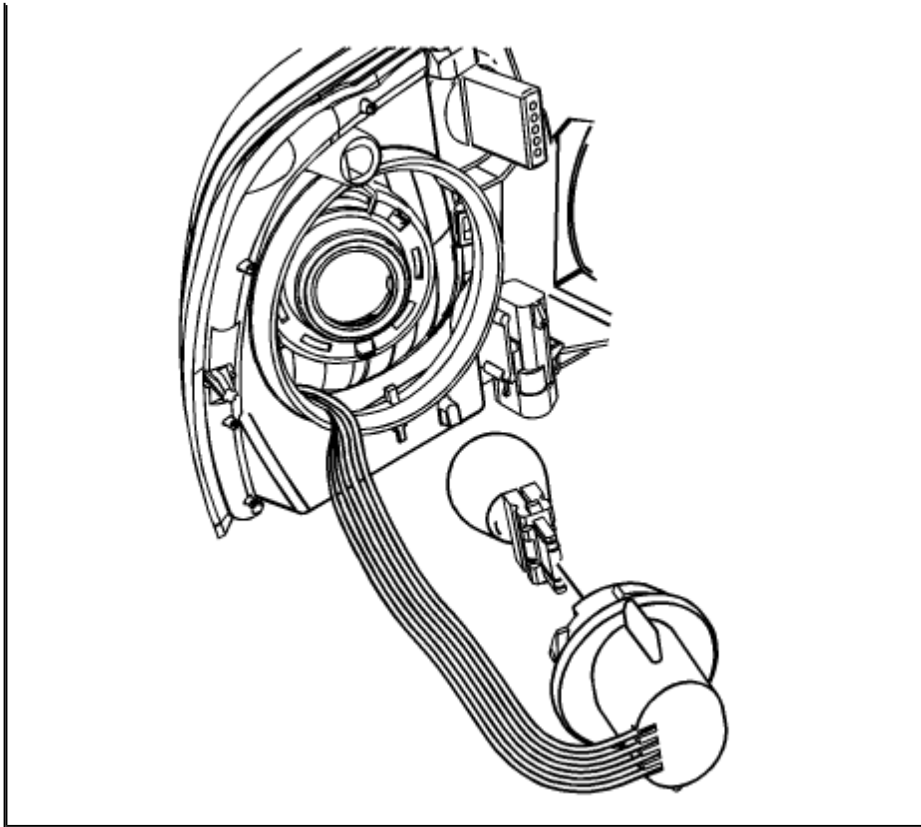
[Zoom](#)[Sized for Print](#)

9. Remove the park/turn bulb access cover by rotating the cover counterclockwise, if necessary.

[Zoom](#)[Sized for Print](#)

10. Remove the park/turn bulb from the housing by rotating the socket counterclockwise, if necessary.





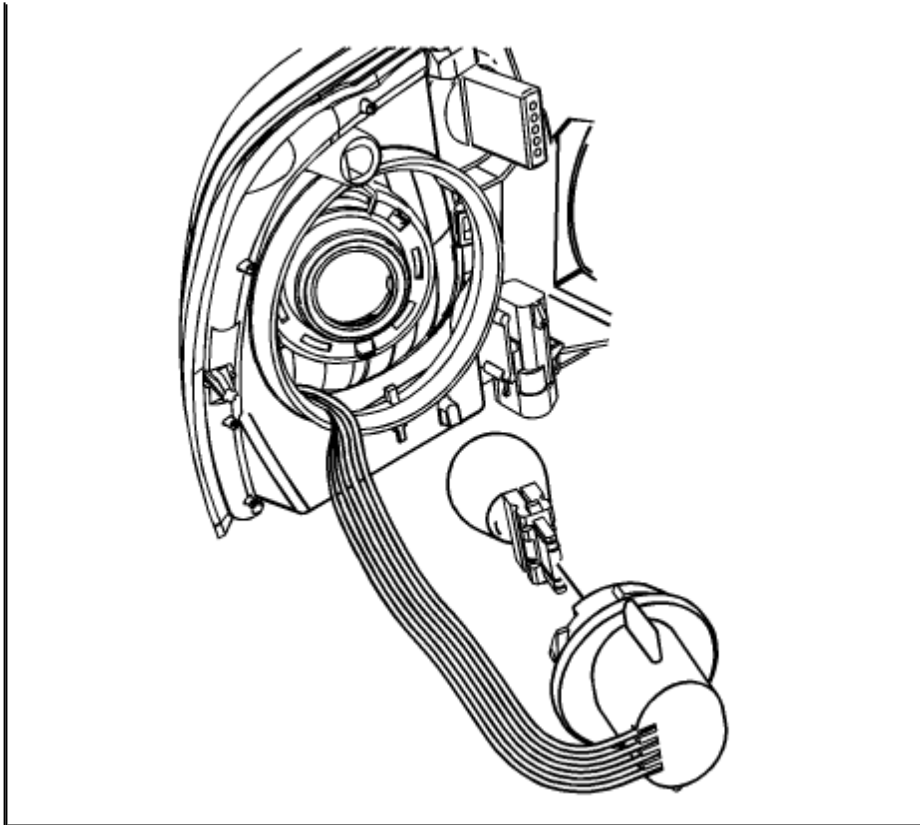
Zoom

Sized for Print

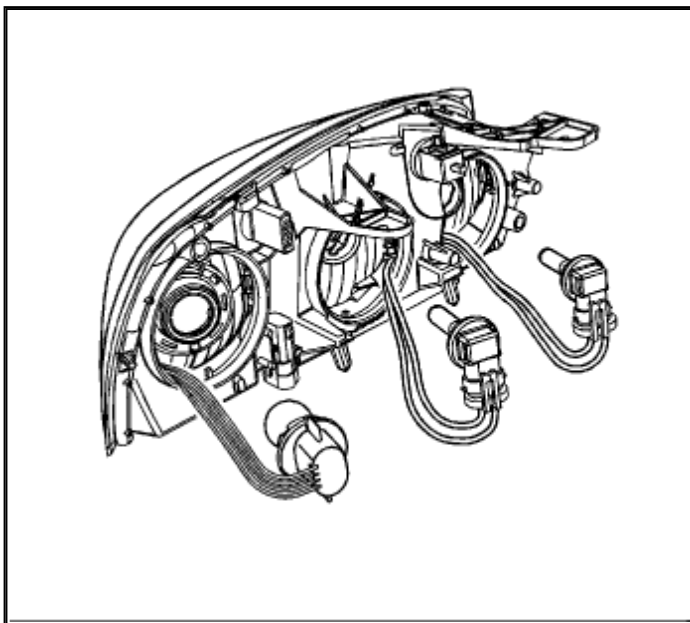
11. Gently pull the park/turn bulb from the socket, if necessary.

Installation Procedure

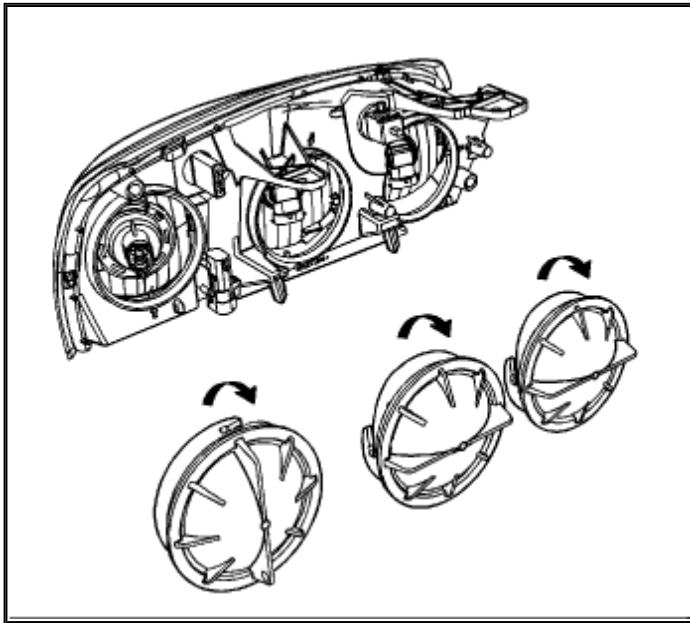


[Zoom](#)[Sized for Print](#)

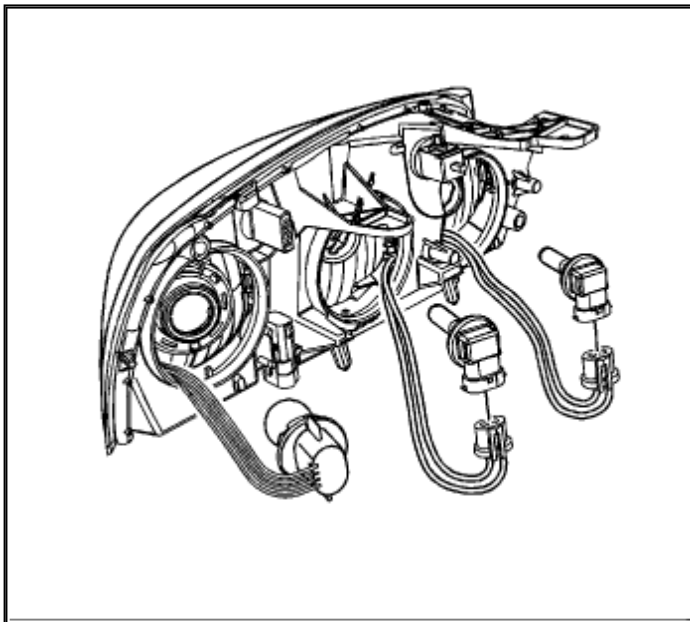
1. Install the park/turn bulb into the bulb socket.

[Zoom](#)[Sized for Print](#)

2. Install the park/turn bulb socket into the headlamp housing by rotating the socket clockwise.

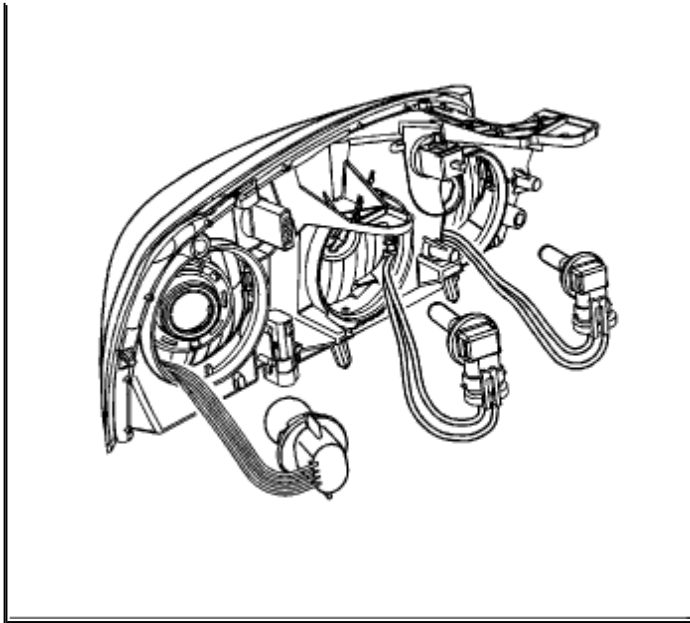
[Zoom](#)[Sized for Print](#)

3. Install the park/turn bulb access cover by rotating the cover clockwise.

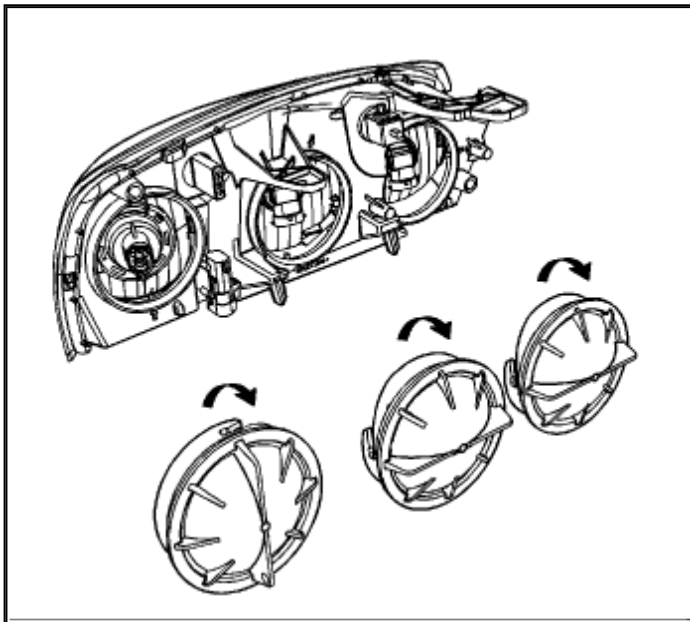
[Zoom](#)[Sized for Print](#)

4. Connect the [headlamp bulb](#) to the headlamp electrical connector.



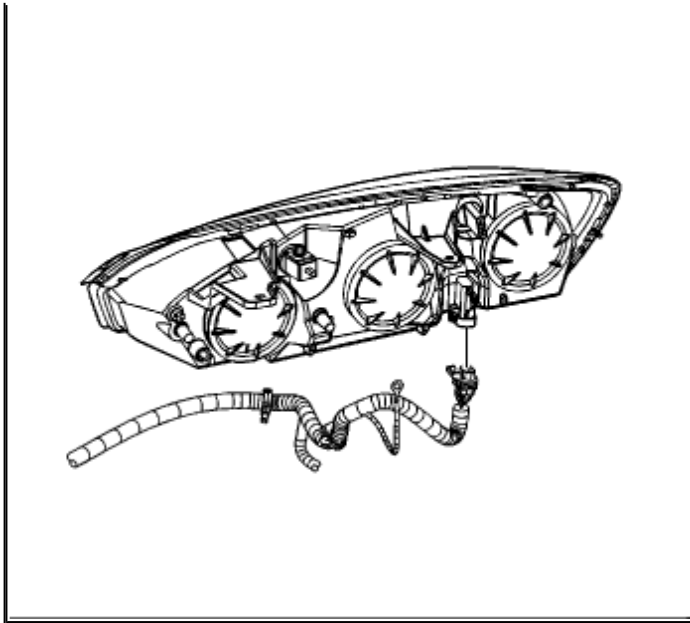
[Zoom](#)[Sized for Print](#)

5. Install the [headlamp bulb](#) into the headlamp housing. Rotate the socket clockwise until locked.

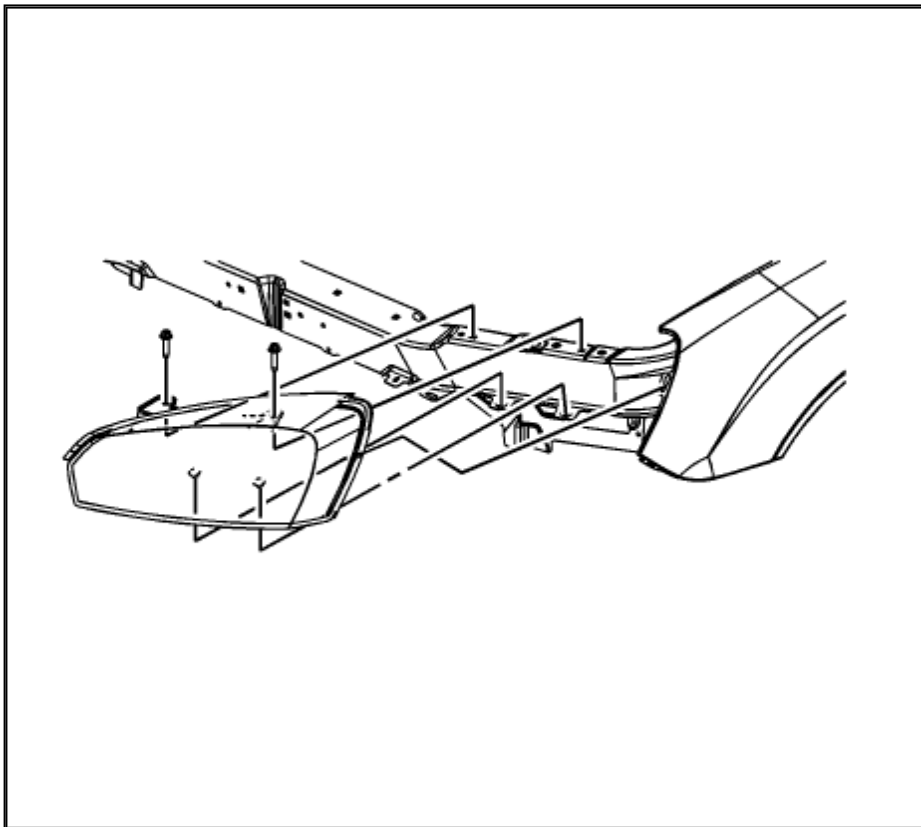
[Zoom](#)[Sized for Print](#)

6. Install the [headlamp bulb](#) access cover by rotating the cover clockwise.



[Zoom](#)[Sized for Print](#)

7. Connect the electrical connector to the headlamp assembly.

[Zoom](#)[Sized for Print](#)

8. Position the headlamp assembly to the vehicle. Ensure that the tabs on the bottom and the fender edge are seated. **Notice:** Refer to Fastener Notice.

9. Install the bolts to the headlamp assembly. **Tighten the bolts to 2 N.m (18 lb in).**
10. Close the hood.
11. Inspect the headlamp alignment. Adjust the headlamp alignment, if necessary. Refer to Headlamp Aiming. [See: Adjustments](#)

© 2010 ALldata LLC. All rights reserved.
[Terms of Use](#)