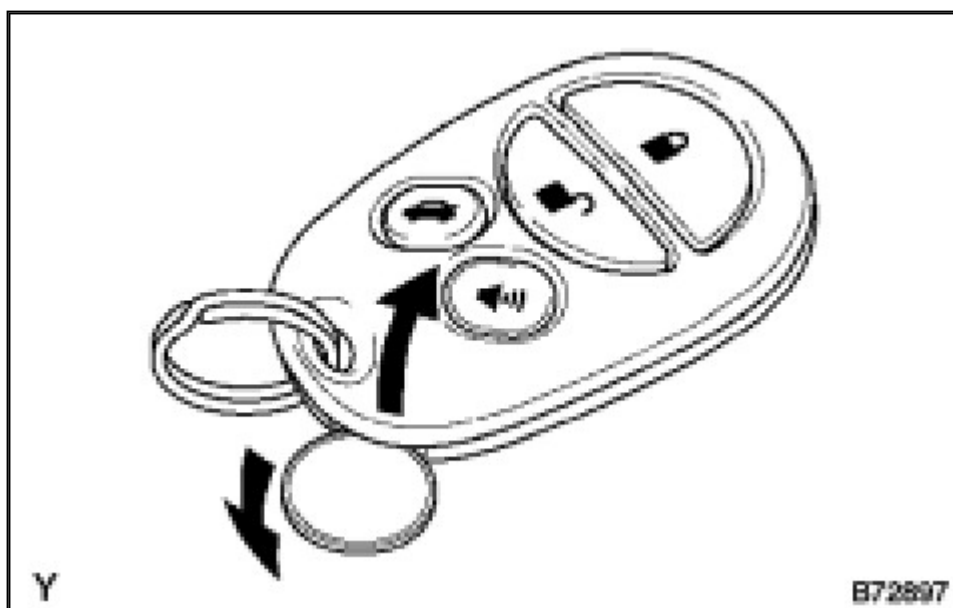


[Select Vehicle](#) | [New TSBs](#) | [Technician's Reference](#) Component Search: 

OK

[Conversion Calculator](#)**2008 Toyota Avalon V6-3.5L (2GR-FE)**[Vehicle Level](#) → [Accessories and Optional Equipment](#) → [Keyless Entry Transmitter Battery](#) → [Service and Repair](#) ←**Service and Repair**[Notes](#)**DOOR LOCK: TRANSMITTER BATTERY: REPLACEMENT****REPLACEMENT****HINT:** Installation is in the reverse order of removal.

1. REMOVE TRANSMITTER BATTERY **NOTICE:** Take extra care when handling these precision electronic components.

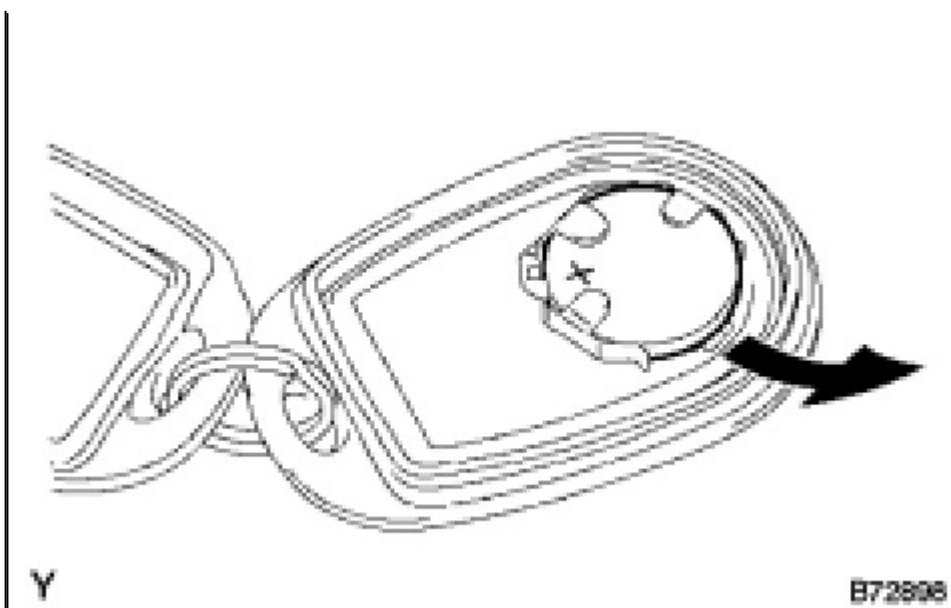


Zoom

Sized for Print

- (a) Using a coin or equivalent, pry apart the transmitter case.  
**NOTICE:** Do not forcibly pry apart the case.





Zoom

Sized for Print

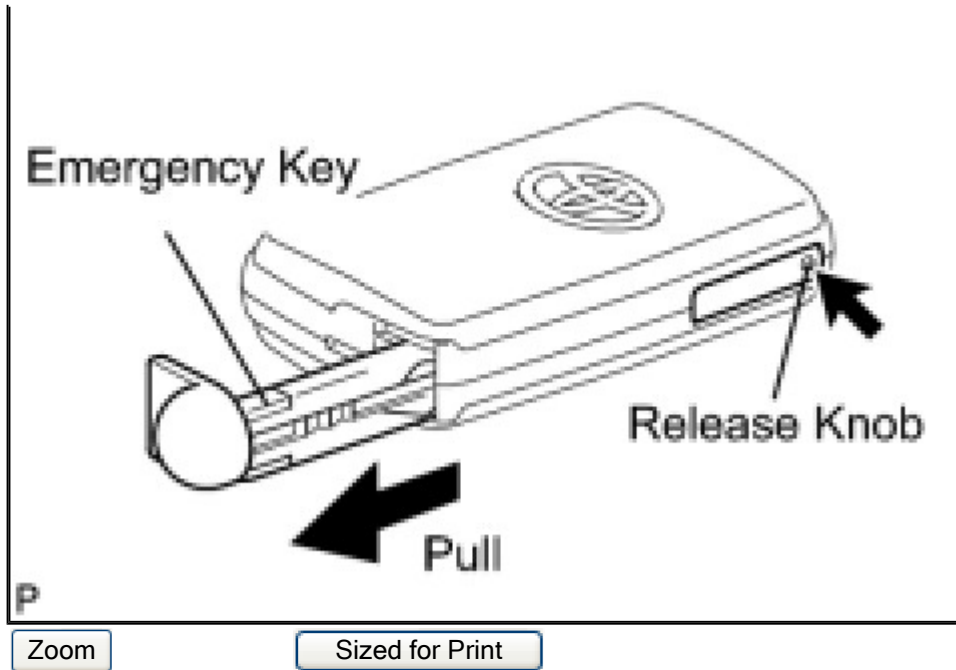
(b) Remove the battery (lithium battery).

**NOTICE:**

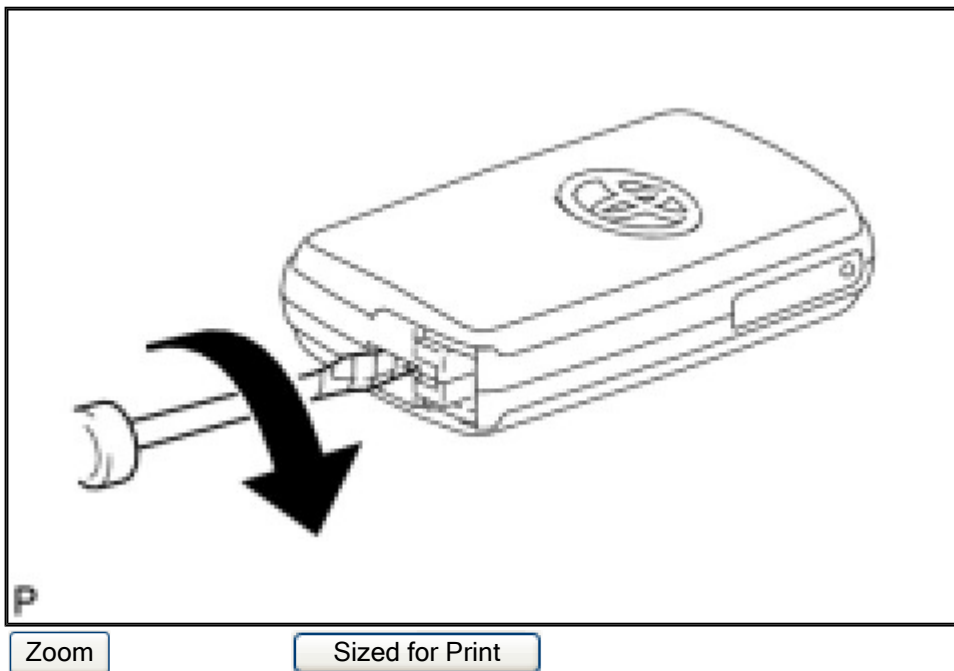
- Do not push the terminals with your finger.
- Do not forcibly pry up the battery (lithium battery). The terminals may become damaged.
- Do not touch the battery with wet hands. Water may cause rust.
- Do not touch or move any components inside the transmitter as it may cease to work.

2. REMOVE TRANSMITTER BATTERY **NOTICE:** Take extra care when handling these precision electronic components.





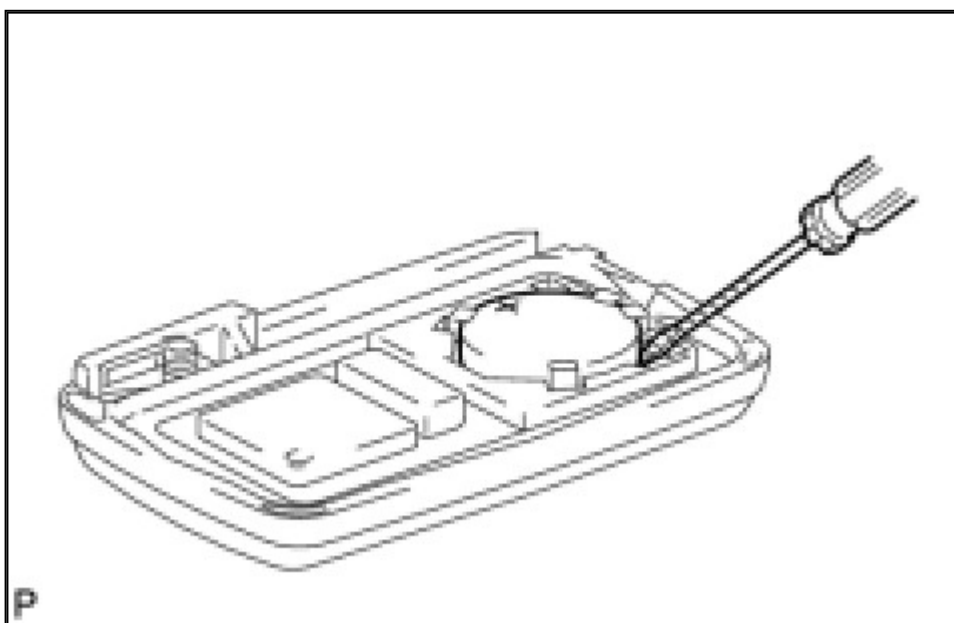
- (a) Push and hold the release knob in the direction indicated by the arrow in the illustration. Take the emergency key out of the transmitter case.



- (b) Using a screwdriver, open the transmitter case.

**NOTICE:** Do not forcibly pry apart the cover.

**HINT:** Tape the screwdriver tip before use.



Zoom

Sized for Print

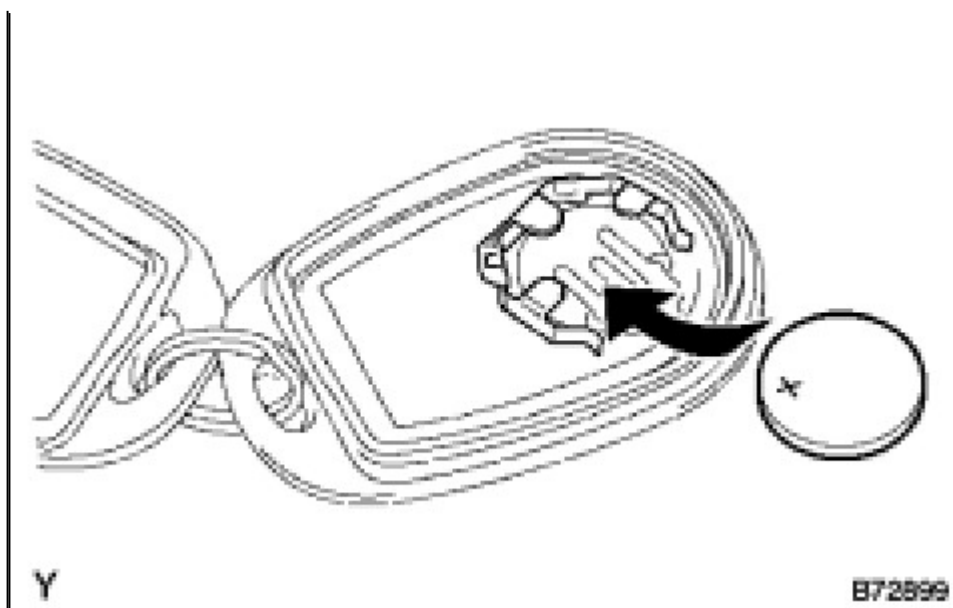
- (c) Using a screwdriver, remove the transmitter's battery from the key, as shown in the illustration.

**NOTICE:**

- Do not push the terminals with your finger.
- Do not forcibly pry up the battery (lithium battery). The terminals may become damaged.
- Do not touch the battery with wet hands. Water may cause rust.
- Do not touch or move any components inside the transmitter as it may cease to work.

### 3. INSTALL TRANSMITTER BATTERY





Zoom

Sized for Print

- (a) Install a new battery (lithium battery) with the positive (+) side up as shown in the illustration.

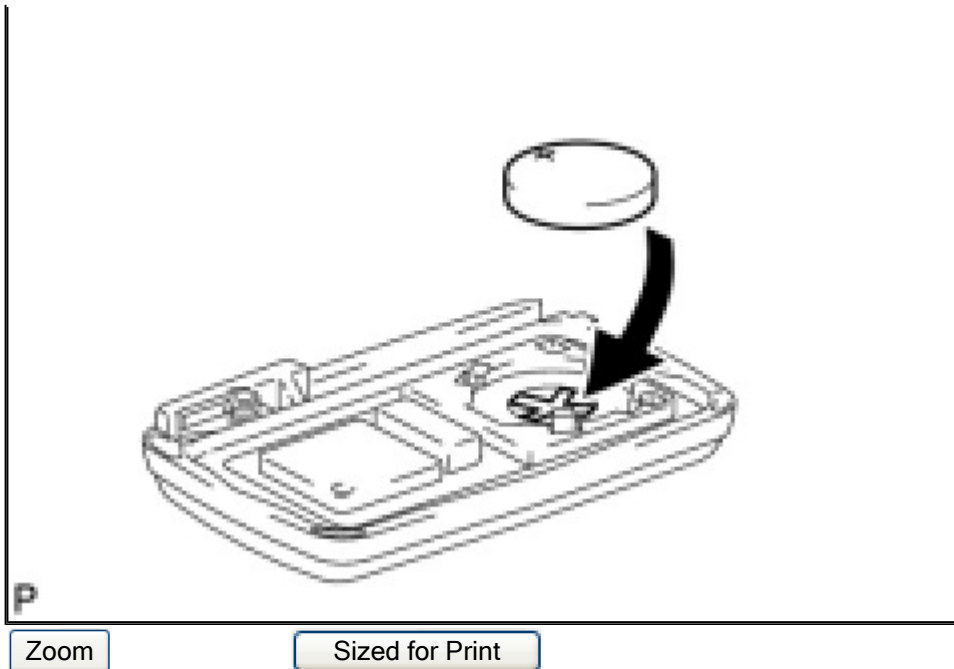
**NOTICE:**

- Be sure that the positive side and the negative side of the transmitter battery are matched up correctly.
- Be careful not to bend the transmitter battery electrode during insertion.
- keep the transmitter case's interior free of dust and oil.

- (b) Install the case securely.

#### 4. INSTALL TRANSMITTER BATTERY

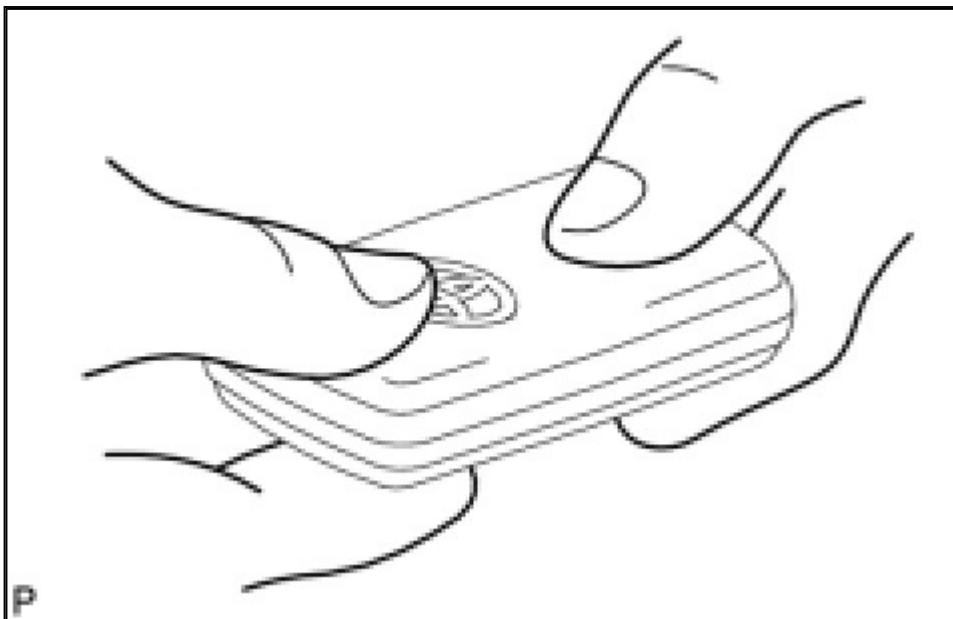




- (a) Install a new battery (lithium battery) with the positive (+) side up, as shown in the illustration.

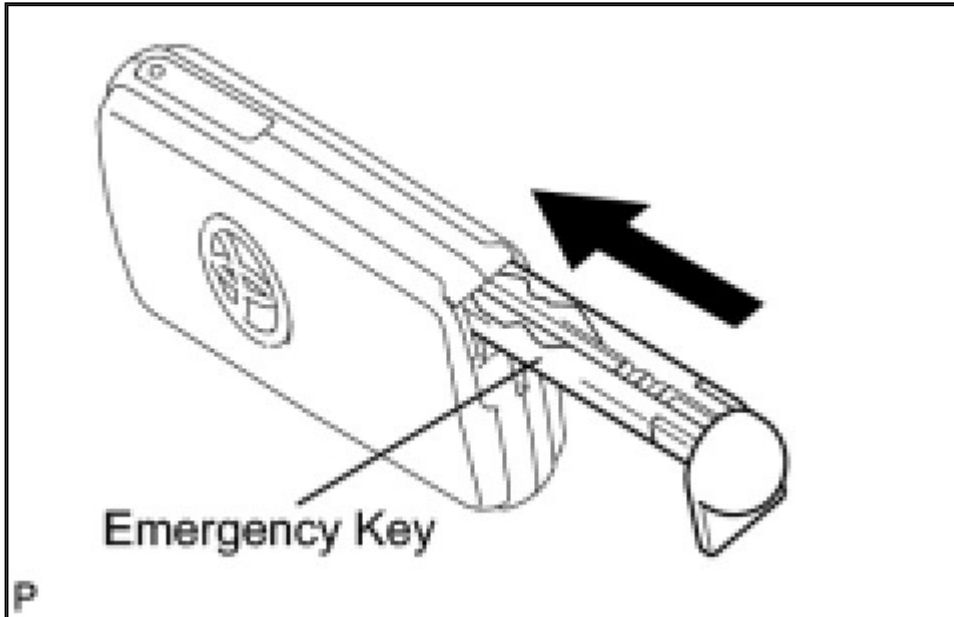
**NOTICE:**

- Be sure that the positive (+) side and the negative (-) side of the transmitter battery are matched up correctly.
- Be careful not to bend the transmitter battery electrode during insertion.
- Keep the transmitter case interior free of dust and oil.



[Zoom](#)[Sized for Print](#)

- (b) Install the transmitter case as shown in the illustration.

[Zoom](#)[Sized for Print](#)

- (c) Insert the emergency key into the transmitter case.  
**HINT:** After installation, press any of the transmitter's switches. Check that the LED illuminates.