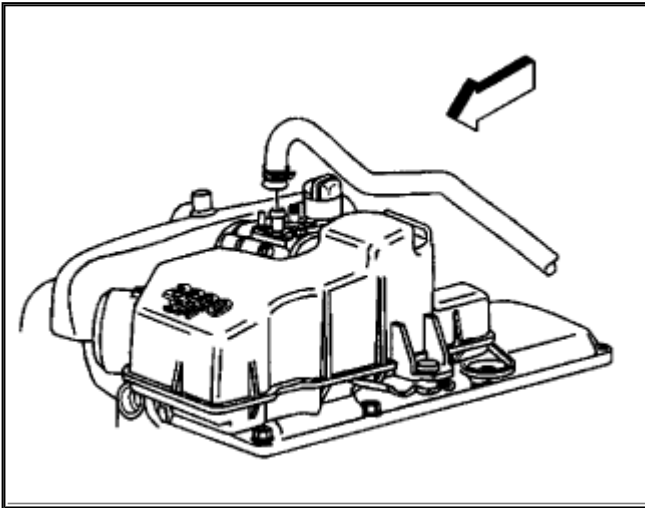


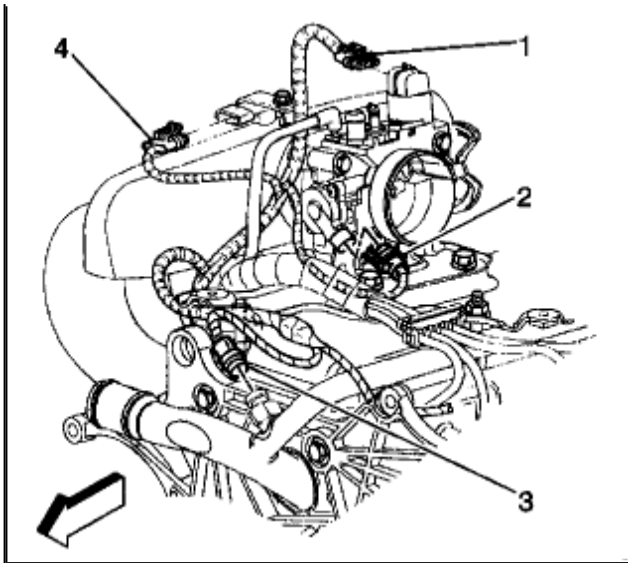
2000 Chevy Truck S10/T10 P/U 2WD L4-2.2L VIN 4[Vehicle Level](#) → [Engine, Cooling and Exhaust](#) → [Engine](#) → [Intake Manifold](#) → [Service and Repair](#) ←**Service and Repair**[Notes](#)**Removal Procedure**

Zoom

Sized for Print

1. Disconnect the battery negative cable. Refer to Battery Replacement.
2. Remove the upper [fan shroud](#). Refer to Fan Shroud Replacement in [Cooling System](#).
3. Disconnect the power brake booster vacuum hose.
4. Remove the air cleaner outlet resonator. Refer to Air Cleaner Outlet Resonator Replacement.



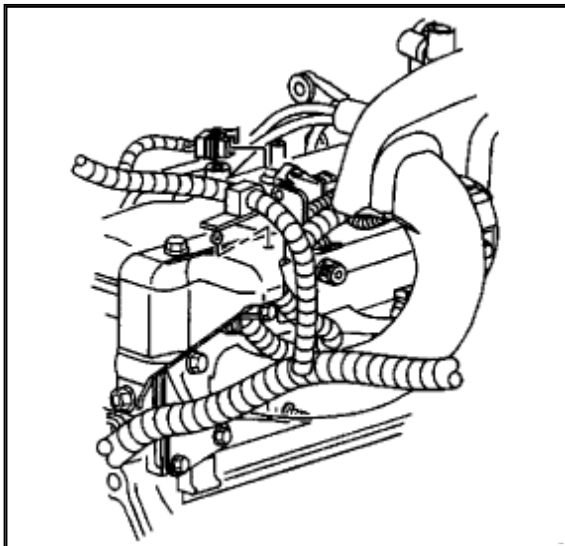


Zoom

Sized for Print

5. Disconnect the following electrical connectors:

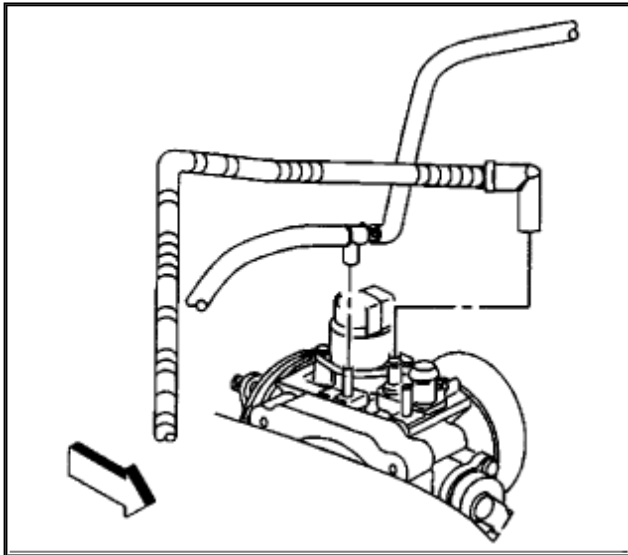
- Idle Air Control (**IAC**) motor (1)
- Manifold Absolute Pressure (**MAP**) sensor (4)
- Throttle Position (**TP**) sensor (2)



Zoom

Sized for Print

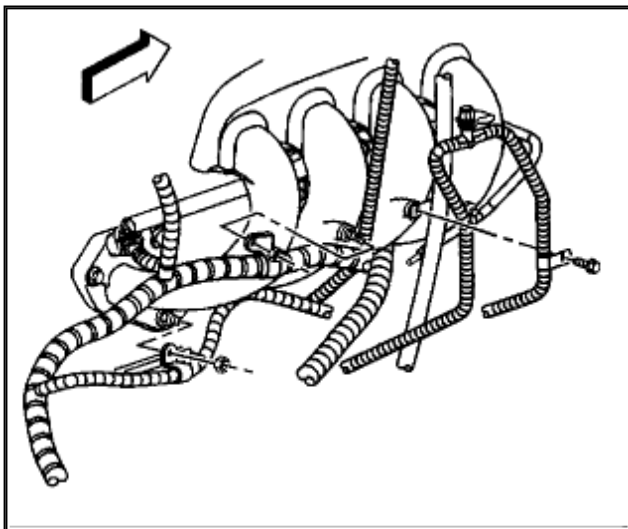
6. Disconnect the fuel injector harness electrical connector.
7. Remove the fuel injector harness electrical connector from the bracket on the valve rocker arm cover.
8. Remove the engine wiring harness from the bracket.
9. Move and secure the engine wiring harness out of the way.



Zoom

Sized for Print

10. Disconnect the heating and air conditioning control vacuum source hose.
11. Disconnect the EVAP emission purge tube from the throttle body.



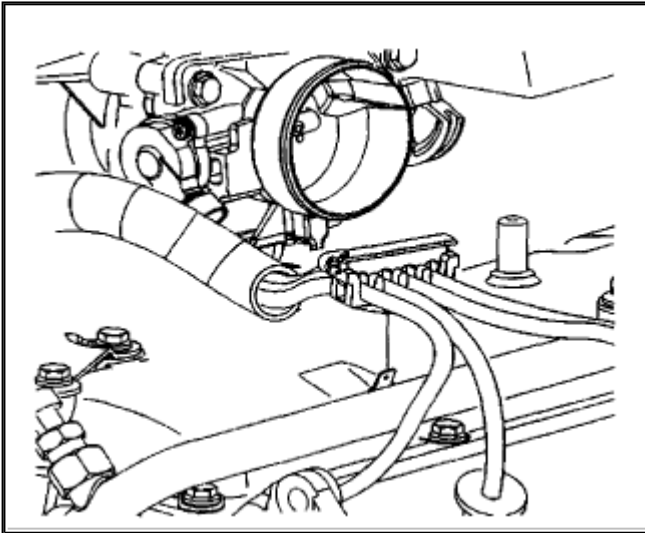
Zoom

Sized for Print

12. Remove the bolt holding the EVAP emission canister purge harness and if equipped the transmission fluid fill tube.
13. Remove the nut holding the engine wiring harness clip to the intake manifold.
14. Remove the nut holding the engine wiring harness clip to the intake manifold rear lower stud.
15. Disconnect the fuel hose from the fuel rail. Refer to Fuel Rail Assembly Replacement.
16. Remove the accelerator control cable from the throttle body. Refer to

Accelerator Controls Cable Replacement.

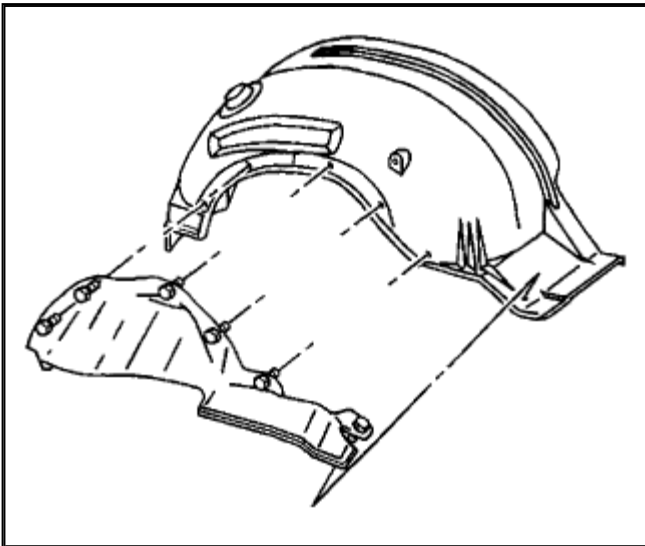
17. Remove the cruise control cable from the throttle body. Refer to Cruise Control Cable Replacement.



Zoom

Sized for Print

18. Remove the spark plug wires from the [spark plugs](#). Refer to [Spark Plug Wire Harness Replacement](#).
19. Remove the [spark plug wire harness](#) retainer from the [thermostat](#) assembly and set aside the spark plug wire harness.

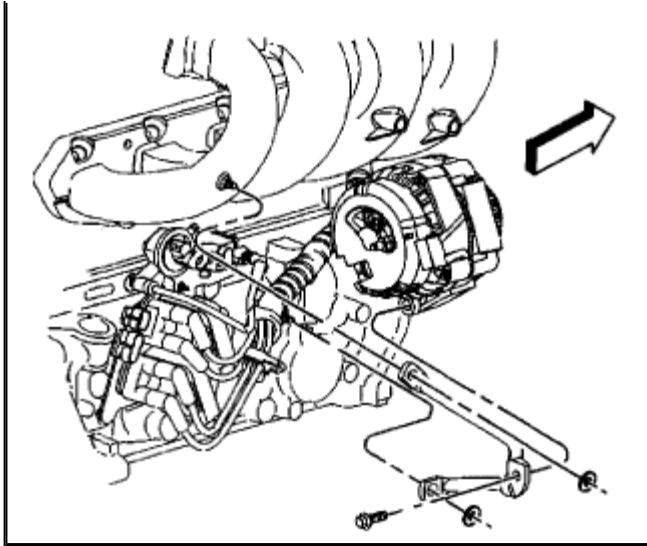


Zoom

Sized for Print

20. Remove the right fender wheelhouse extension.



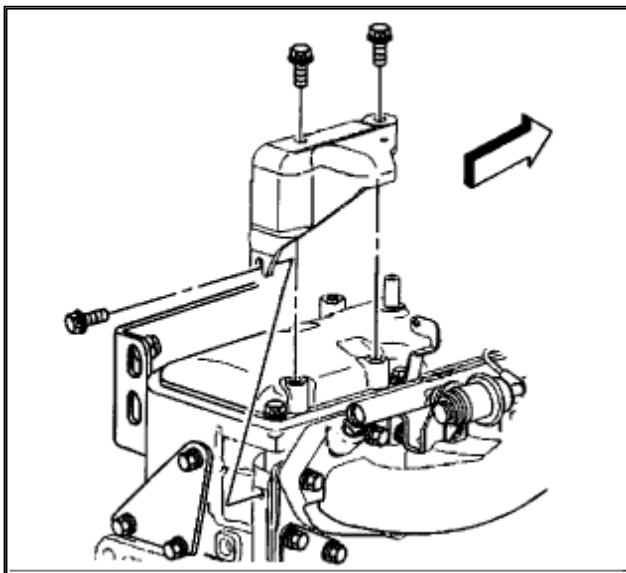


Zoom

Sized for Print

21. Working through the wheelhouse, remove the generator rear brace from the engine.

- Remove the nuts holding the brace to the intake stud and the engine block.
- Remove the bolt holding the brace to the rear of the generator.



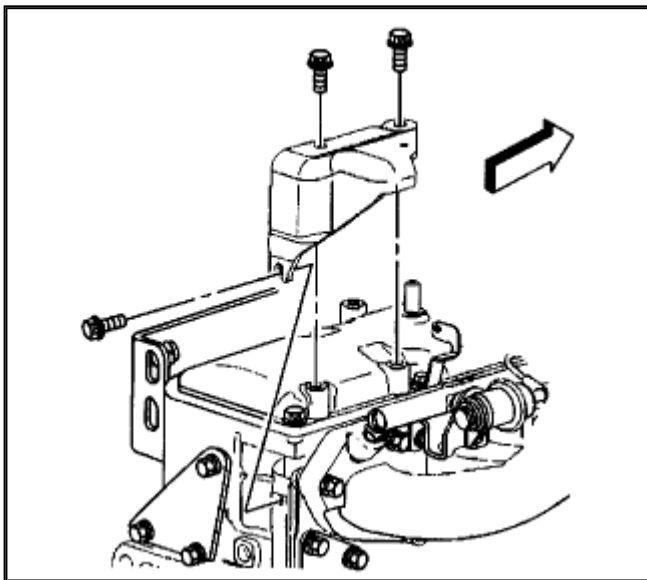
Zoom

Sized for Print

22. Remove the engine wiring harness bracket at the back of the engine using the following procedure:

- 22.1. Loosen the bolt at the rear of the cylinder head.
 - 22.2. Remove the two bolts that secure the bracket to the valve rocker arm cover.
 - 22.3. Slide the bracket off of the bolt at the rear of the cylinder head.
23. Remove the intake manifold assembly. Refer to Intake Manifold Removal.
24. If replacing the intake manifold remove the following:
- The throttle body. Refer to Throttle Body Assembly Replacement.
 - The fuel rail. Refer to Fuel Rail Assembly Replacement.
25. Clean all sealing surfaces and the intake manifold. Refer to Intake Manifold Clean and Inspect.

Installation Procedure



Zoom

Sized for Print

1. Install the fuel rail if removed. Refer to Fuel Rail Assembly Replacement 2.2L.
2. Install the throttle body if removed. Refer to Throttle Body Assembly Replacement.
3. Install the intake manifold assembly. Refer to Intake Manifold Installation.
4. Install the engine wire harness bracket to the rear of the engine using the following procedure:
 - 4.1. Slide the bracket over the bolt at the rear of the cylinder head.

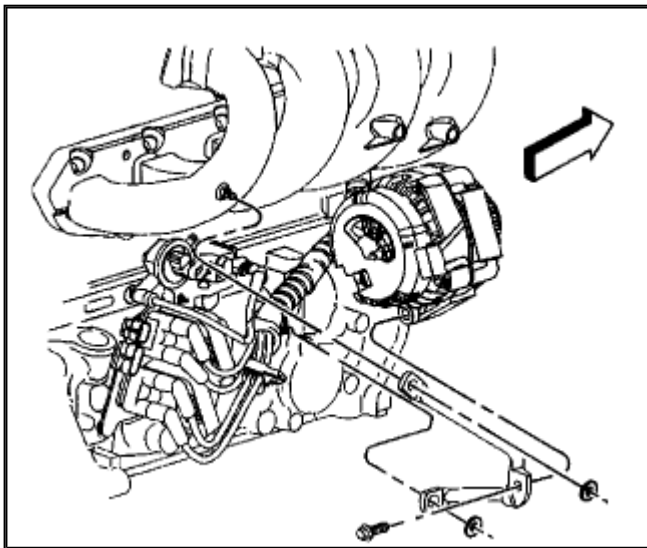
Notice: Refer to Fastener Notice in Service Precautions.

4.2. Install the two bolts that secure the bracket to the valve rocker arm cover.

5. Tighten the bolts in the following order:

5.1. Tighten the two bolts to the valve rocker arm cover to **10 Nm (89 inch lbs.)** .

5.2. Tighten the bolt at the rear of the cylinder head to **25 Nm (18 ft. lbs.)** .



Zoom

Sized for Print

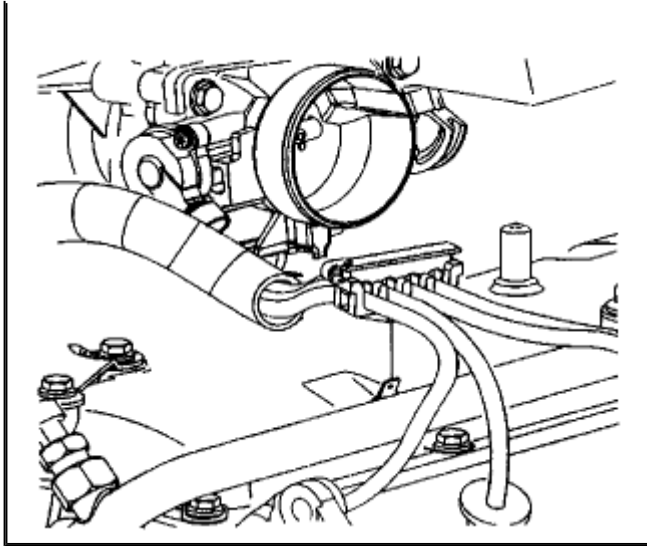
6. Working through the wheelhouse, install the generator rear brace.

7. Install the nuts holding the brace to the intake manifold stud and the stud on the engine.

8. Install the bolt holding the brace to the rear of the generator.

- Tighten the generator rear brace nuts and bolts to **25 Nm (18 ft. lbs.)** .

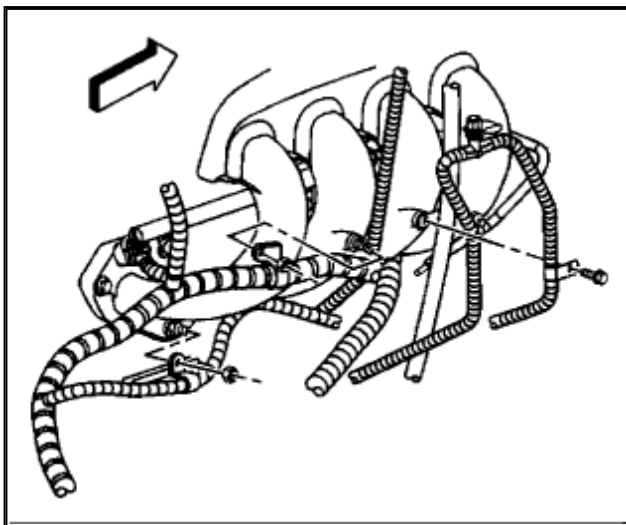




Zoom

Sized for Print

9. Position the [spark plug wire harness](#).
10. Install the [spark plug wire harness](#) retainer on the [thermostat](#) assembly.
11. Install the spark plug wires to the [spark plugs](#). Refer to [Spark Plug Wire Harness Replacement](#).
12. Install the accelerator control cable to the throttle body. Refer to [Accelerator Controls Cable Replacement](#).
13. Install the cruise control cable to the throttle body. Refer to [Cruise Control Cable Replacement](#).
14. Connect the fuel hose to the fuel rail. Refer to [Fuel Hose/Pipes Assembly Replacement](#).



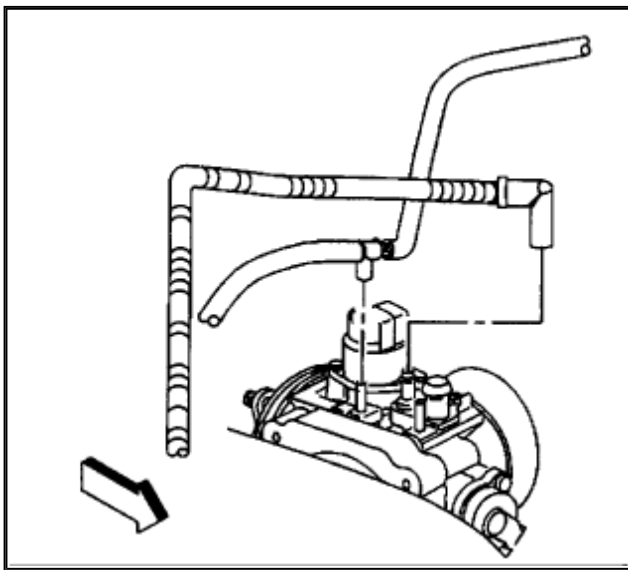
Zoom

Sized for Print

15. Install the bolt holding the EVAP emission canister purge harness and if

equipped the transmission fluid fill tube.

- Tighten the bolts to **10 Nm (89 inch lbs.)** .
16. Install the nut holding the engine wiring harness clip and the battery negative cable clip to the intake manifold.
- Tighten the engine wiring harness clip nut to **10 Nm (89 ft. lbs.)** .
17. Install the nut holding the engine wiring harness clip to the intake manifold rear lower stud.
- Tighten the engine wiring harness clip nut to **30 Nm (22 ft. lbs.)** .

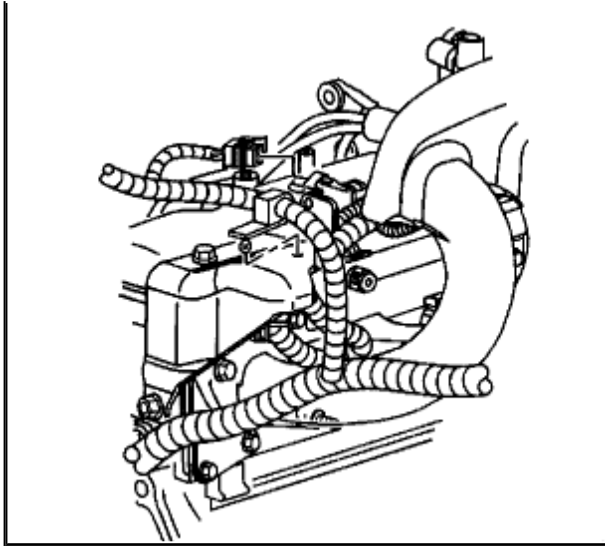


Zoom

Sized for Print

18. Connect the heating and air conditioning control vacuum source hose.
19. Connect the EVAP emission purge tube from the throttle body.

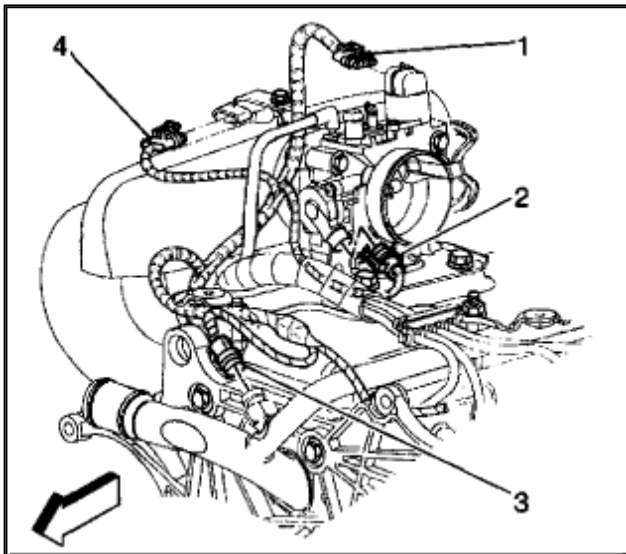




Zoom

Sized for Print

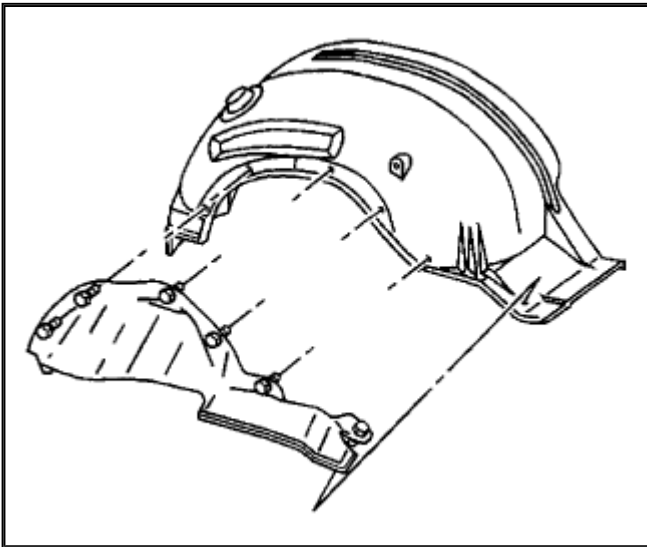
20. Position the engine wiring harness.
21. Install the engine wiring harness to the bracket.
22. Install the fuel injector harness electrical connector to the bracket on the valve rocker arm cover.
23. Connect the fuel injector harness electrical connector.



Zoom

Sized for Print

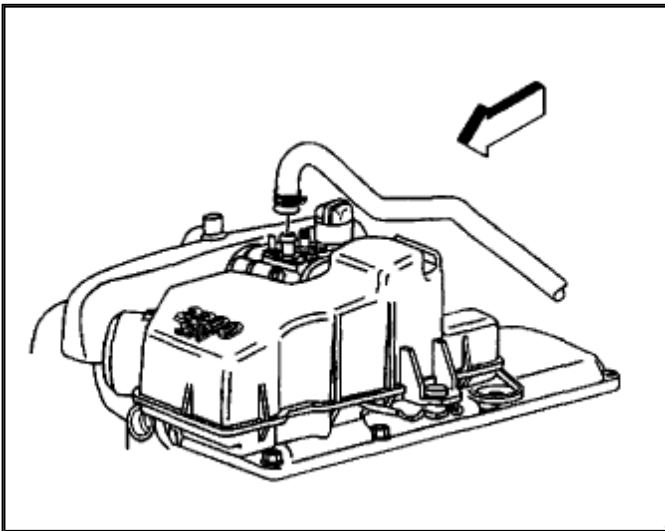
24. Connect the following electrical connectors:
 - Idle Air Control (**IAC**) motor (1)
 - Manifold Absolute Pressure (**MAP**) sensor (4)
 - Throttle Position (**TP**) sensor (2)



Zoom

Sized for Print

25. Install the right fender wheelhouse extension.
26. Install the air cleaner outlet resonator. Refer to Air Cleaner Outlet Resonator Replacement.



Zoom

Sized for Print

27. Install the upper [fan shroud](#). Refer to Fan Shroud Replacement in [Cooling System](#).
28. Connect the power brake booster vacuum hose.
29. Connect the battery negative cable. Refer to Battery Replacement.

© 2010 ALLDATA LLC. All rights reserved.
[Terms of Use](#)