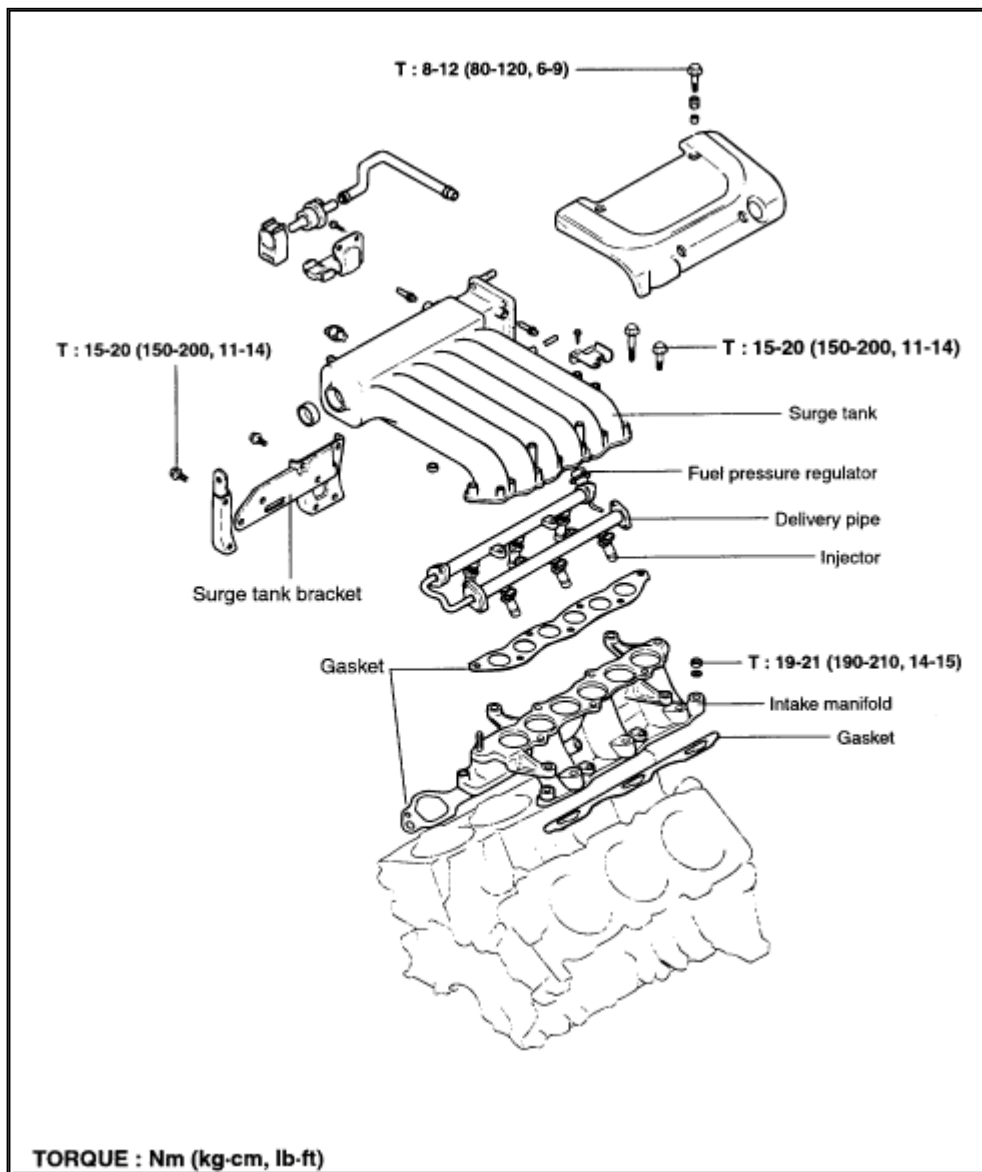


2002 Hyundai Sonata GLS V6-2.7L

Vehicle Level → Engine, Cooling and Exhaust → Engine → Intake Manifold → Service and Repair ←

Service and Repair

Notes

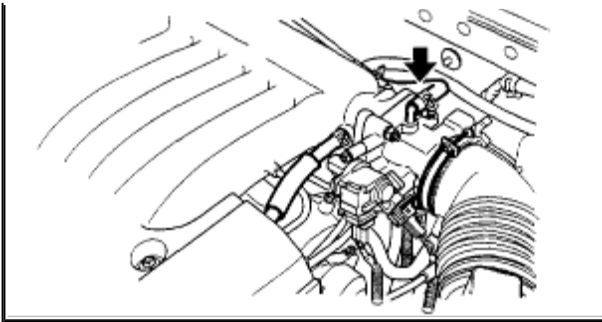


Zoom

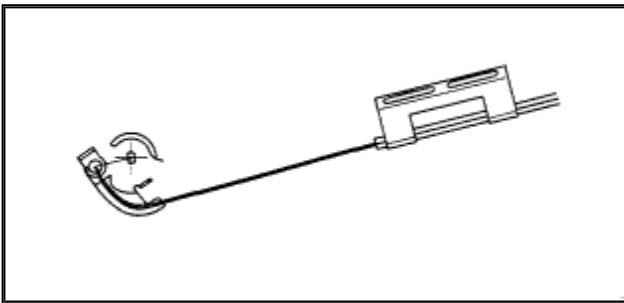
Sized for Print

REMOVAL

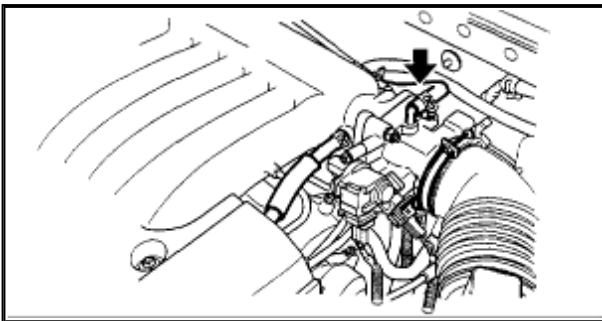


[Zoom](#)[Sized for Print](#)

1. Remove the air intake hose connected to the throttle body.

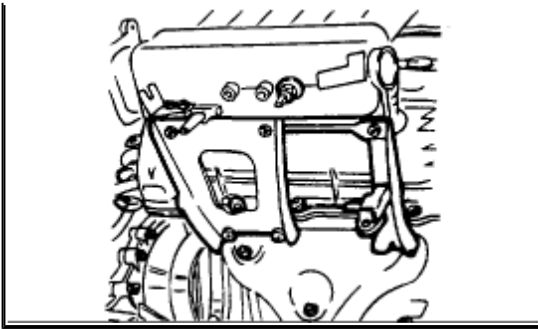
[Zoom](#)[Sized for Print](#)

2. Remove the accelerator and cruise control cables.
3. Remove the engine coolant hose and throttle body.
4. Remove the P.C.V. hose and brake booster vacuum hoses.

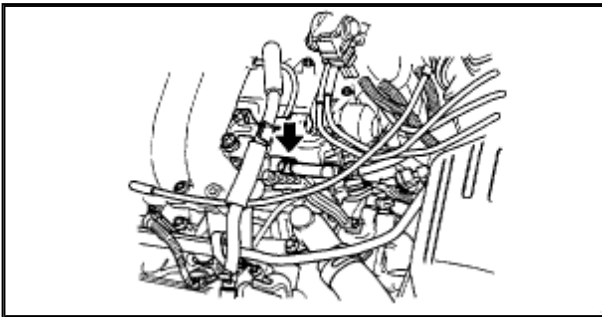
[Zoom](#)[Sized for Print](#)

5. Disconnect the vacuum hose connections.

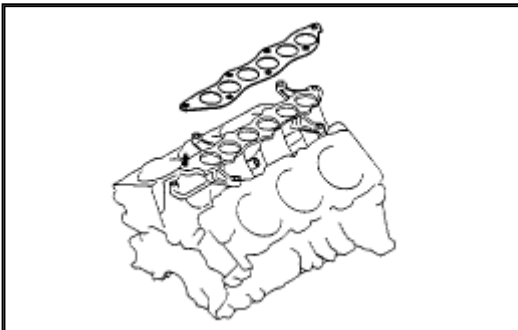


[Zoom](#)[Sized for Print](#)

6. Remove the surge tank stay.
7. Bleed off the pressure in the fuel pipe line to prevent the fuel from spilling.

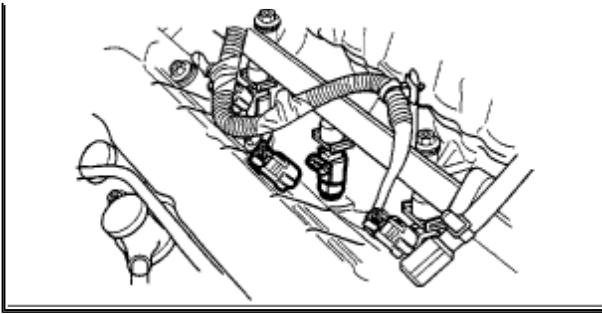
[Zoom](#)[Sized for Print](#)

8. Disconnect the connector from high pressure hose.

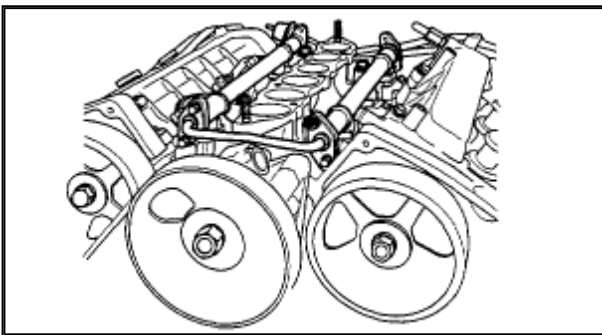
[Zoom](#)[Sized for Print](#)

9. Remove the surge tank and gasket.

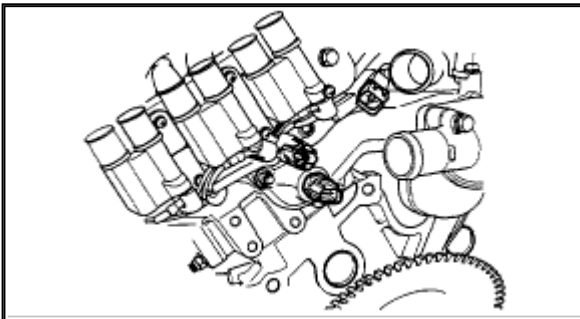


[Zoom](#)[Sized for Print](#)

10. Disconnect the fuel injector harness connector.

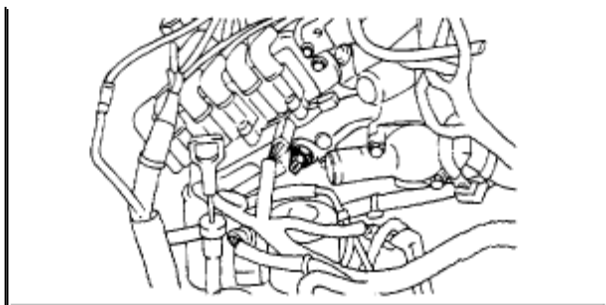
[Zoom](#)[Sized for Print](#)

11. Remove the delivery pipe with the fuel injector and the pressure regulator.  
**NOTE:** When the delivery pipe is removed, be careful not to drop an injector

[Zoom](#)[Sized for Print](#)

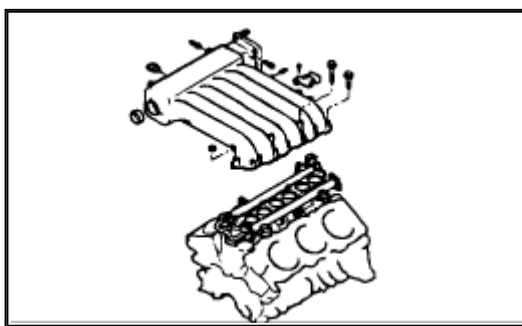
1 of 2



[Zoom](#)[Sized for Print](#)

## 2 of 2

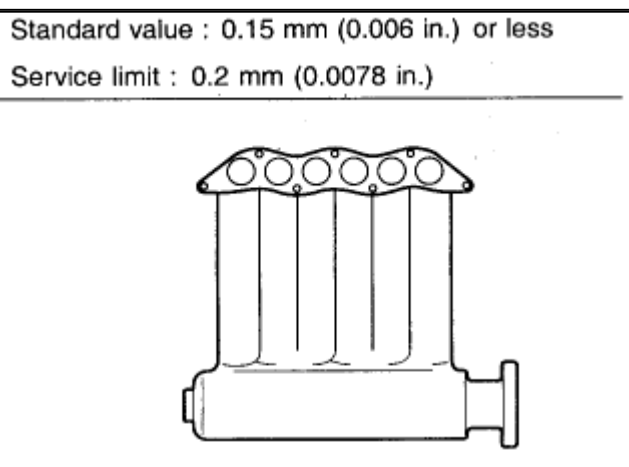
12. Disconnect the wiring harness of the coolant sensor assembly.

[Zoom](#)[Sized for Print](#)

13. Remove the surge tank.

## INSPECTION SURGE TANK AND INTAKE MANIFOLD

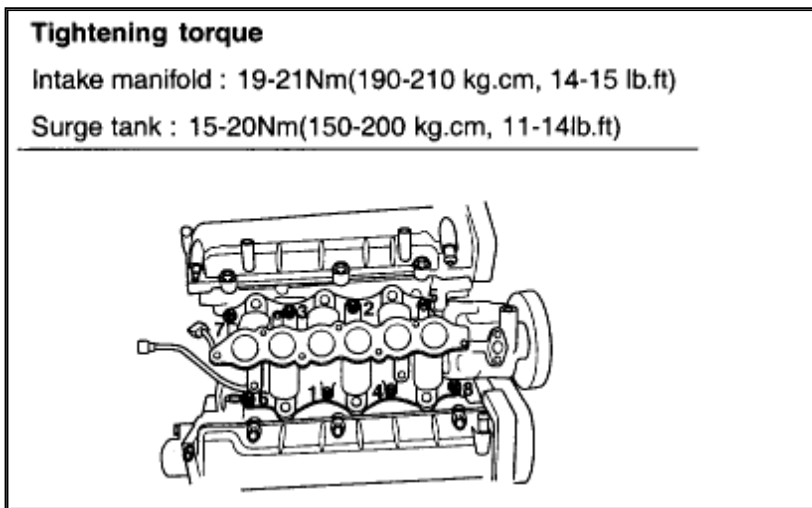
1. Check the surge tank and intake manifold for damage, cracking or restriction of the vacuum outlet port, water or gas passages.



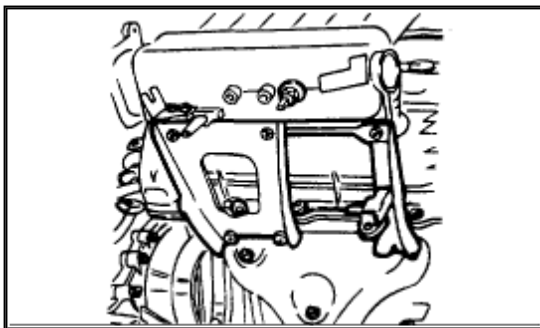
[Zoom](#)[Sized for Print](#)

2. Check for distortion on the surface using a straight edge and feeler gauge.  
Standard value: **0.15 mm (0.006 inch) or less** Service limit: **0.2 mm (0.0078 inch)**

## INSTALLATION

[Zoom](#)[Sized for Print](#)

### 1 of 2

[Zoom](#)[Sized for Print](#)

### 2 of 2

1. Install the intake manifold and delivery pipe reversing the order of the removal procedure. Tightening torque Intake manifold: **19 - 21 Nm (190 - 210 kg.cm, 14 - 15 ft. lbs.)** Surge tank: **15 - 20 Nm (150 - 200 kg.cm, 11 - 14 ft. lbs.)**

© 2010 ALLDATA LLC. All rights reserved.  
[Terms of Use](#)