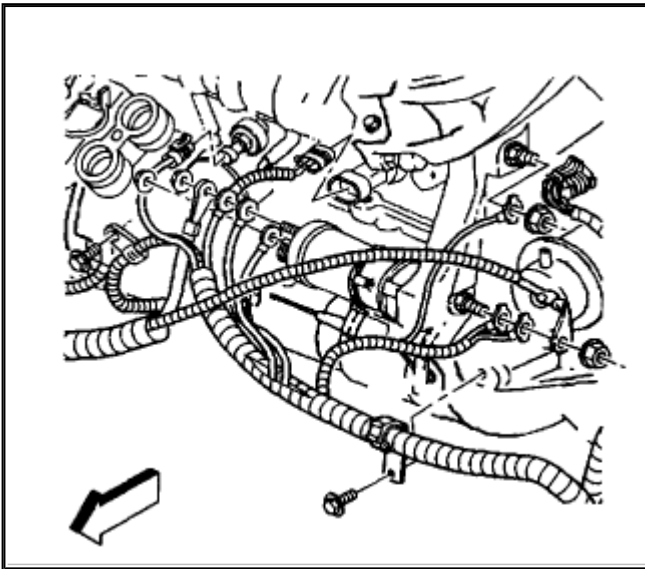


1998 Chevy Truck Venture V6-3.4L VIN E

[Vehicle Level](#) → [Starting and Charging](#) → [Starting System](#) → [Starter Motor](#) → [Service and Repair](#) → [Starter Motor Replacement](#) ←

Starter Motor Replacement[Notes](#)**REMOVAL PROCEDURE**

IMPORTANT: This vehicle uses the PG260 F1 starter motor. The starter motor is serviced only as a complete unit.

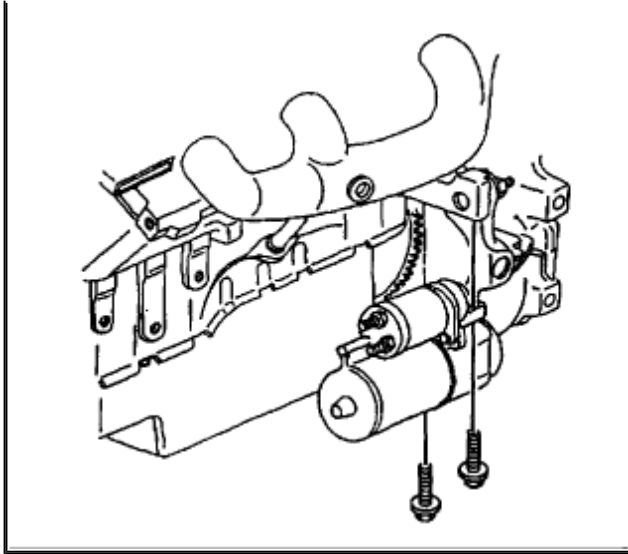


Zoom

Sized for Print

1. Disconnect the [battery](#) ground (negative) cable from the battery.
2. Raise the vehicle and suitably support. Refer to **Lifting and Jacking the Vehicle** in General Information.
3. Remove the electrical connections at the starter motor.



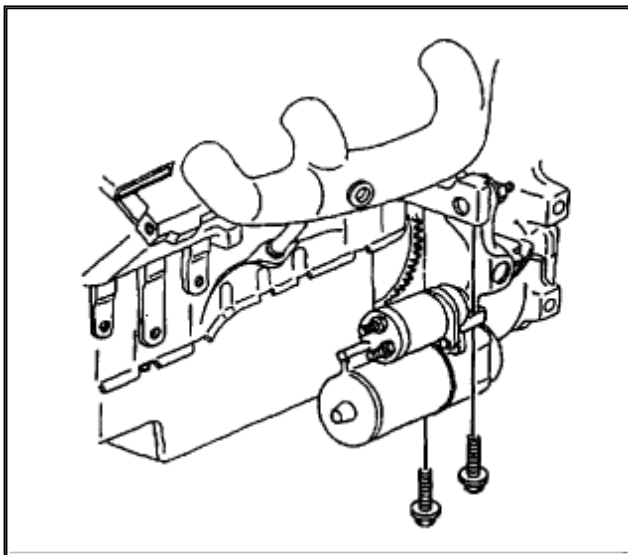


Zoom

Sized for Print

4. Remove the torque converter cover.
5. Remove the starter motor bolts.
6. Remove the starter motor from the engine.

INSTALLATION PROCEDURE



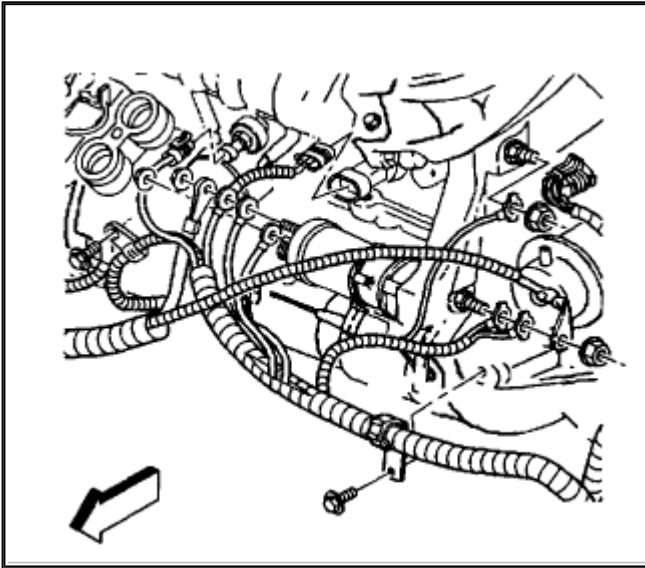
Zoom

Sized for Print

1. Install the starter motor to the engine. **NOTICE:** Use the correct fastener in the correct location. Replacement fasteners must be the correct part number for that application. Fasteners requiring replacement or fasteners requiring the use of thread locking compound or sealant are identified in the service procedure. Do not use paints, lubricants, or corrosion inhibitors on fasteners or fastener joint surfaces unless specified. These coatings affect fastener torque and joint clamping force and may damage the fastener. Use the

correct tightening sequence and specifications when installing fasteners in order to avoid damage to parts and systems.

2. Install the starter motor bolts. **Tighten** Tighten the starter motor bolts to **47 N.m (35 lb ft)** .



Zoom

Sized for Print

3. Install the torque converter cover.
4. Install the electrical connections to the starter motor.
5. Tighten the [starter solenoid BAT](#) terminal nut. **Tighten** Tighten the [starter solenoid BAT](#) terminal nut to **10 N.m (89 lb in)** .
6. Tighten the [starter solenoid S](#) terminal nut. **Tighten** Tighten the [starter solenoid S](#) terminal nut to **3 N.m (27 lb in)** .
7. Lower the vehicle.
8. Connect the [battery](#) ground (negative) cable to the battery.

© 2010 ALLDATA LLC. All rights reserved.

[Terms of Use](#)