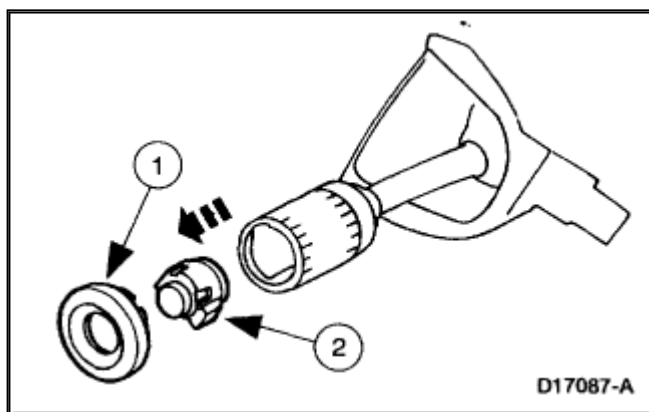


2002 Ford Truck F 150 Super Crew 2WD V8-5.4L SOHC VIN L

[Vehicle Level](#) → [Transmission and Drivetrain](#) → [Sensors and Switches - Transmission and Drivetrain](#)
→ [Sensors and Switches - A/T](#) → [Transmission Mode Switch](#) → [Service and Repair](#) ←

Service and Repair[Notes](#)**Transmission Control Switch****Removal and Installation**

Zoom

Sized for Print

1. Remove the Transmission Control Switch (**TCS**) .

1 Remove the TCS cover.

2 Remove the TCS.

2. To install, reverse the removal procedure.