

[Home](#) | [Account](#) | [Contact ALLDATA](#) | [Log Out](#) | [Help](#)

PAUL REDEHOFT

[Select Vehicle](#) | [New TSBs](#) | [Technician's Reference](#) Component Search:

OK

Conversion Calculator

1998 Acura RL V6-3474cc 3.5L[Vehicle Level](#) → [Body and Frame](#) → [Doors, Hood and Trunk](#) → [Rear Door Panel](#) → [Service and Repair](#) ←

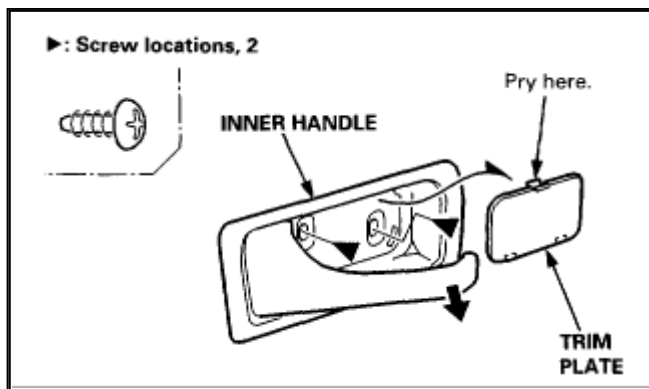
Service and Repair

[Notes](#)

Door Panel Removal

NOTE: Take care not to scratch the door panel and other parts.

1. Remove the trim plate, then remove the screws.



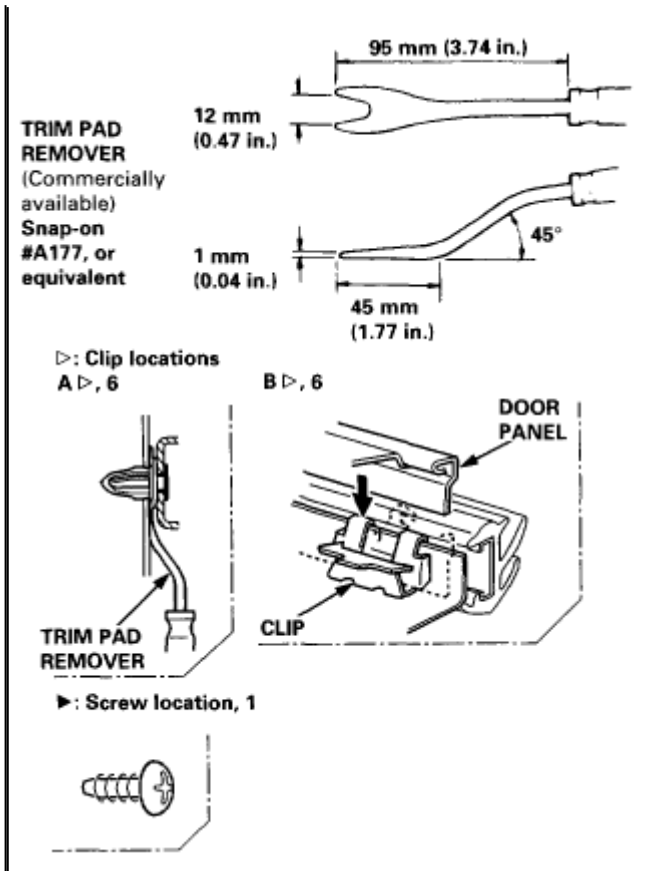
Zoom

Sized for Print

NOTE: Do not remove the inner handle from the door panel.

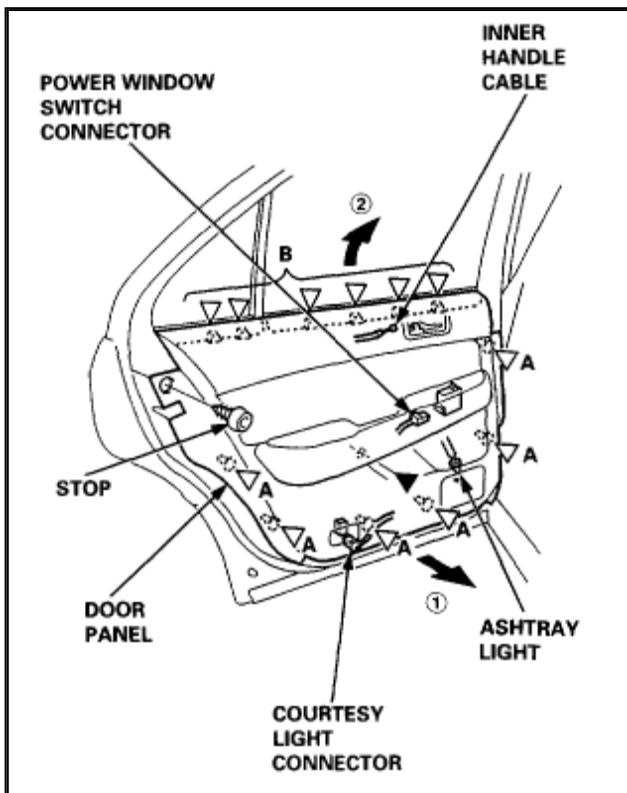
2. Remove the screw and stop. Release the clips that hold the door panel, then remove the door panel by pulling it upward. Disconnect the connectors and inner handle cable.





Zoom

Sized for Print



[Zoom](#)[Sized for Print](#)

NOTE: Remove the door panel with as little bending as possible to avoid creasing or breaking it.

3. Installation is the reverse of the removal procedure.

© 2010 ALLDATA LLC. All rights reserved.
[Terms of Use](#)