

[Home](#) | [Account](#) | [Contact ALLDATA](#) | [Log Out](#) | [Help](#)

PAUL REDEHOFT

[Select Vehicle](#) | [New TSBs](#) | [Technician's Reference](#) | Component Search:

OK

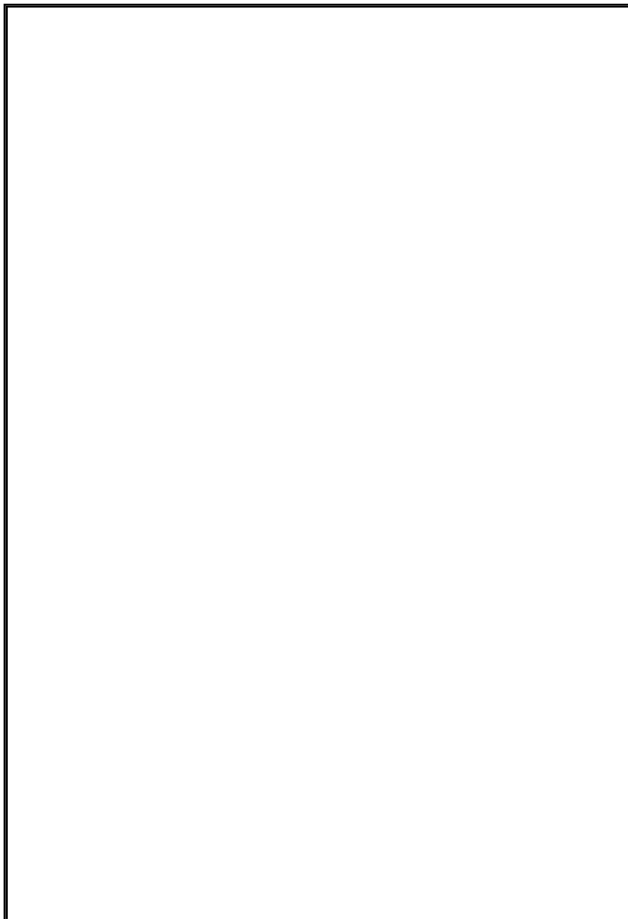
 Conversion Calculator**1998 Acura RL V6-3474cc 3.5L**[Vehicle Level](#) → [Windows and Glass](#) → [Rear Door Window Regulator](#) → [Service and Repair](#) ←

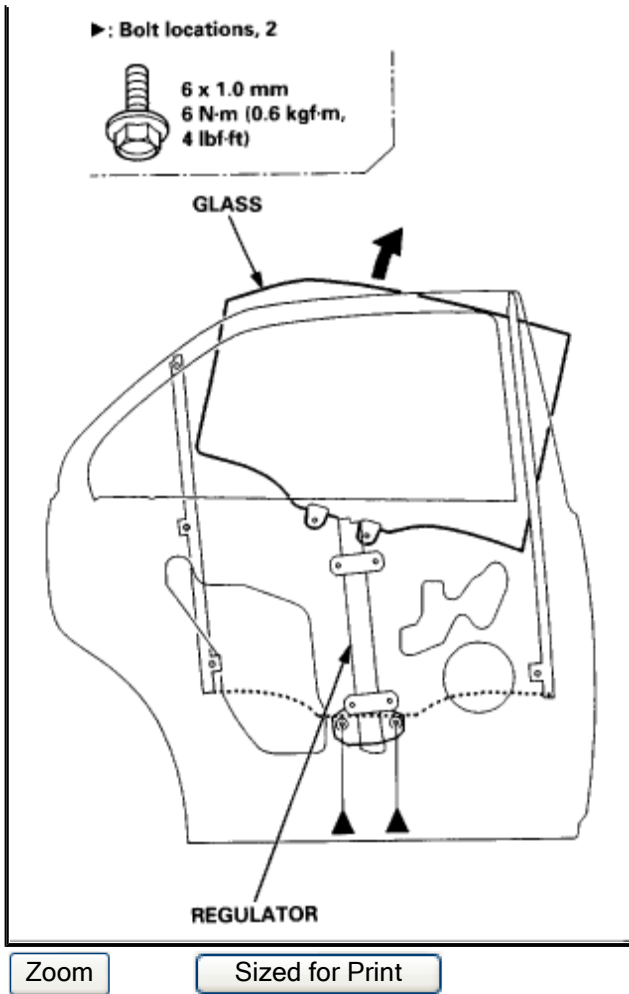
Service and Repair

[Notes](#)

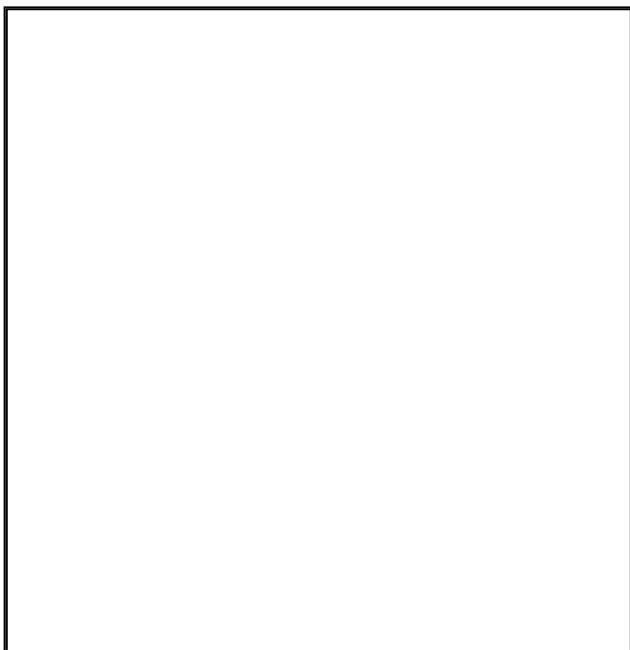
Glass/Quarter Glass/Regulator Removal

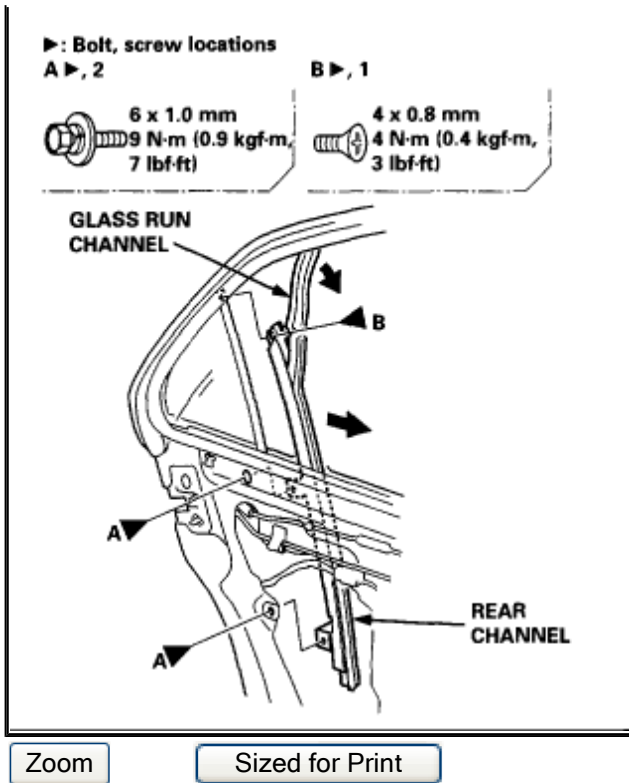
1. Remove:
 - Door panel
 - Plastic cover
 - Inner molding
 - Inner sash trim
 - Sash trim
2. Carefully move the glass until you can see the bolts, then remove them. Carefully pull the glass out through the window slot.



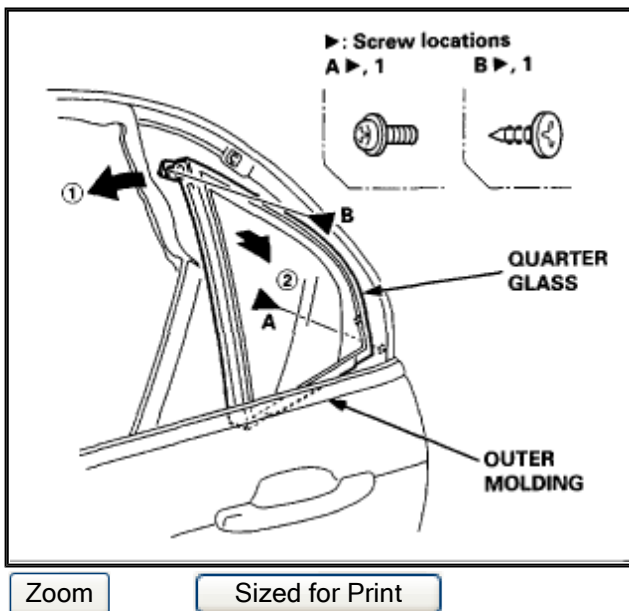


NOTE: Take care not to drop the glass inside the door.

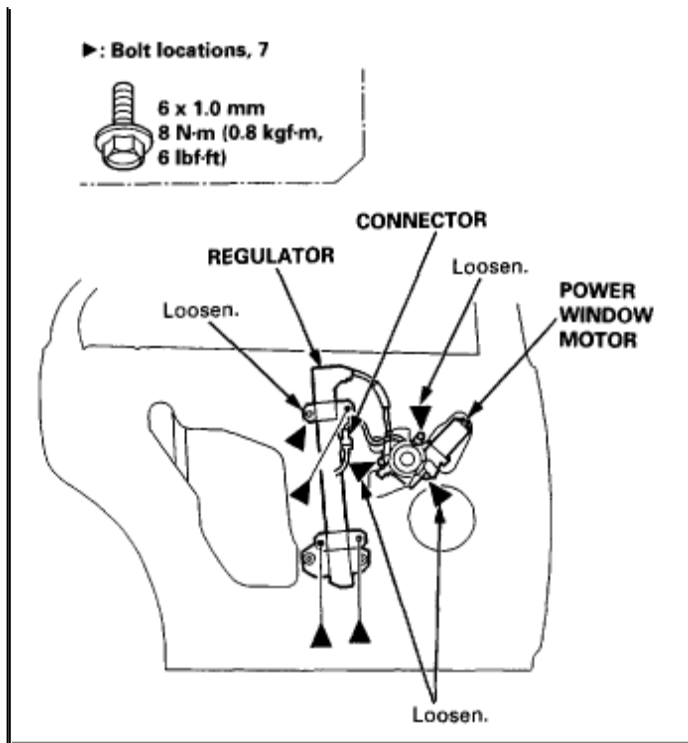




3. Remove the glass run channel as needed, remove the bolts and screw, then move the rear channel forward.
4. Remove the quarter glass.



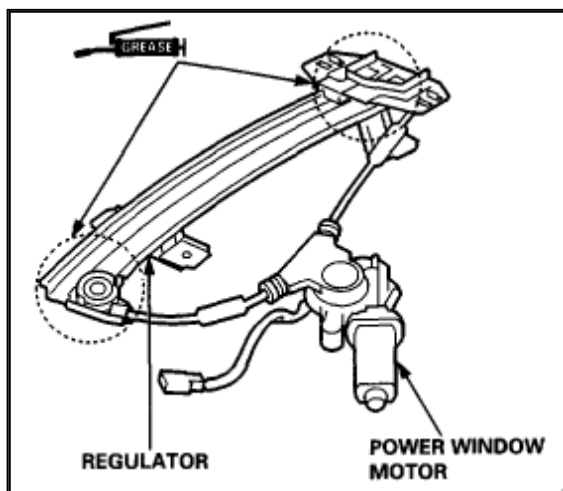
NOTE: When installing the quarter glass, make sure the outer molding lip is not pinched.



Zoom

Sized for Print

5. Disconnect the connector, then remove the regulator through the hole in the door.



Zoom

Sized for Print

6. Grease all the sliding surfaces of the regulator where shown.
7. Installation is the reverse of the removal procedure. **NOTE:** Roll the glass up and down to see if it moves freely without binding. Also make sure that there is no clearance between the glass and glass run channel when the glass is closed. Adjust the position of the glass as necessary.

© 2010 ALLDATA LLC. All rights reserved.
[Terms of Use](#)