

[Home](#) | [Account](#) | [Contact ALLDATA](#) | [Log Out](#) | [Help](#)

PAUL REDEHOFT

[Select Vehicle](#) | [New TSBs](#) | [Technician's Reference](#) Component Search:

OK

 Conversion Calculator**1992 Mazda MX-5 Miata L4-1597cc 1.6L DOHC**[Vehicle Level](#) → [Windows and Glass](#) → [Window Regulator](#) → [Service and Repair](#) ←

Service and Repair

[Notes](#)

WINDOW REGULATOR, GLASS, AND GUIDE COMPONENTS

Caution:

- Obtain the code number and deactivate the audio anti-theft system before disconnecting the battery.

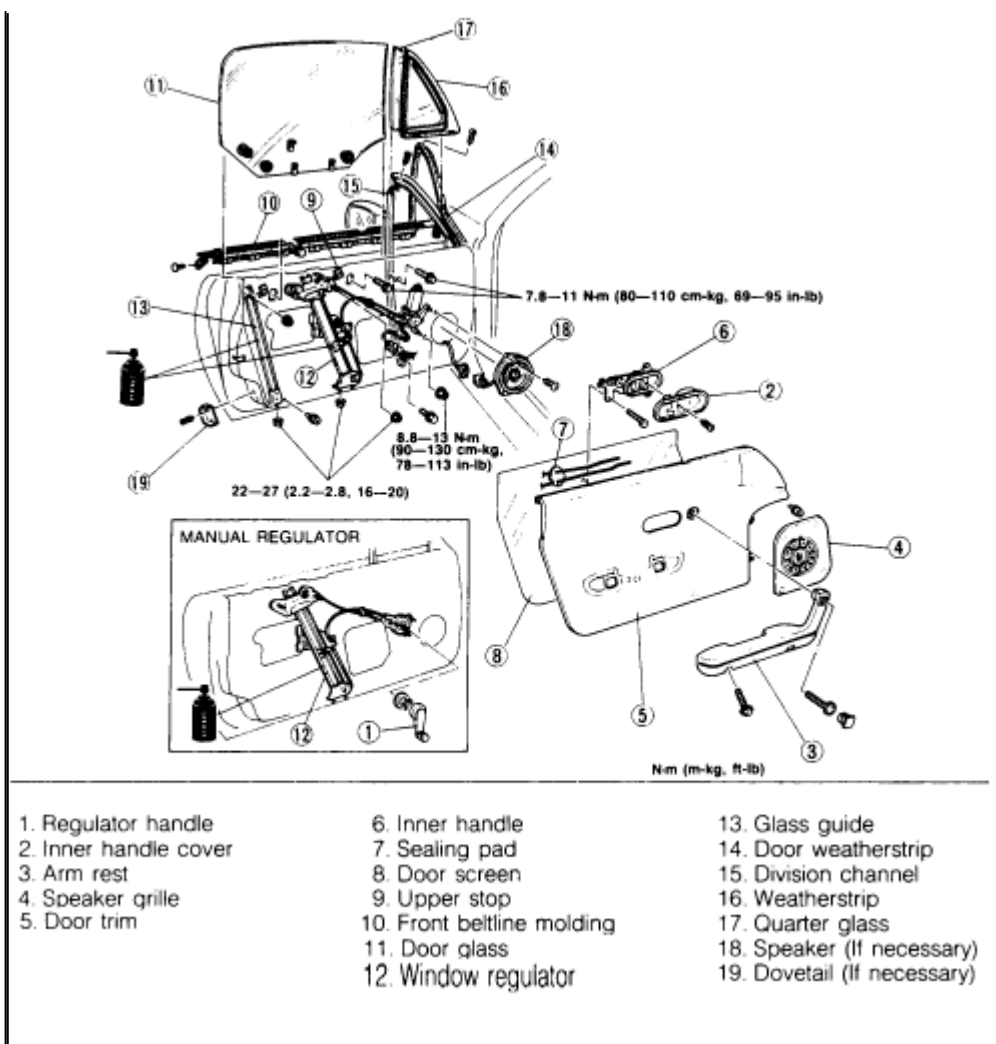
Removal / Installation

1. Disconnect the negative battery cable.
2. Remove in the order shown in the figure.
3. Install in the reverse order of removal. **Caution:**
 - Remove the door screen carefully so that it may be reused.

Note :

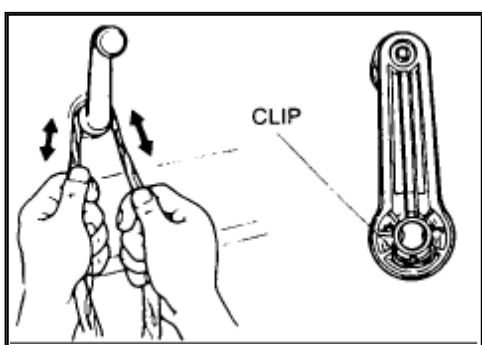
Raise the door glass about **190 mm (1.5 in)** from fully-open position.





Zoom

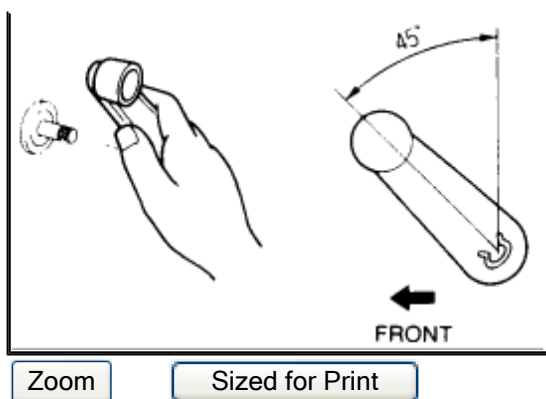
Sized for Print



Zoom

Sized for Print

Removal Note: Regulator handle
Remove the regulator handle clip with a rag, as shown.



Zoom

Sized for Print

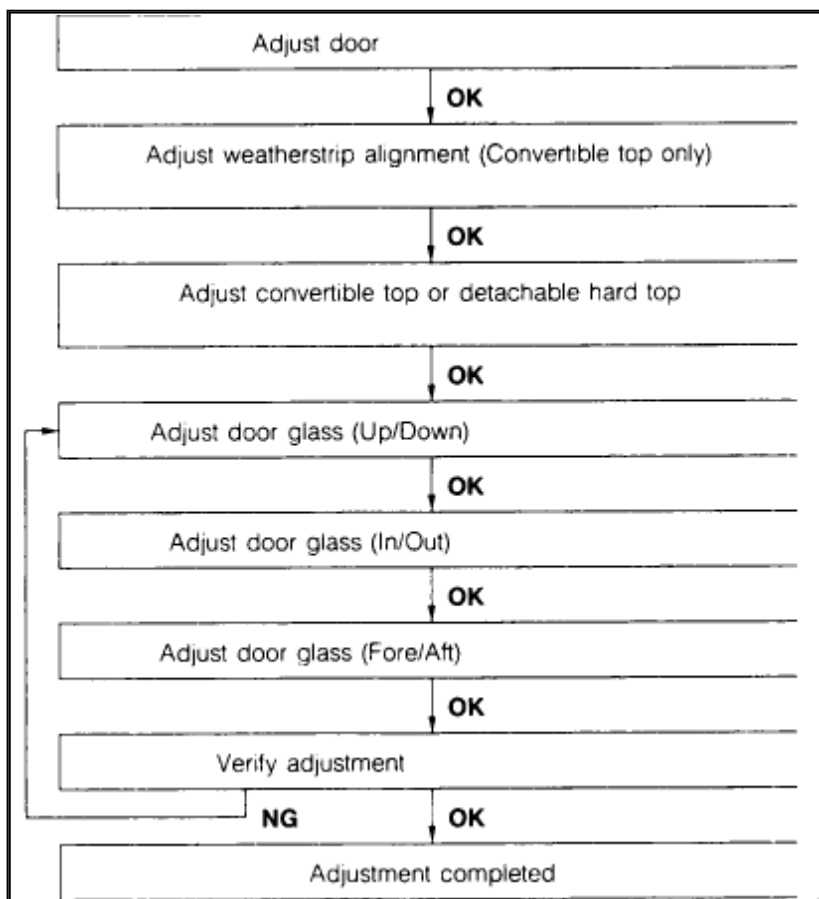
Installation Note: Regulator handle
Install the regulator handle as shown.

Note: With door glass at fully-closed position.

Adjustment

Door glass

Adjustment of the door glass (convertible top and detachable hard top) is made as follows:



Zoom

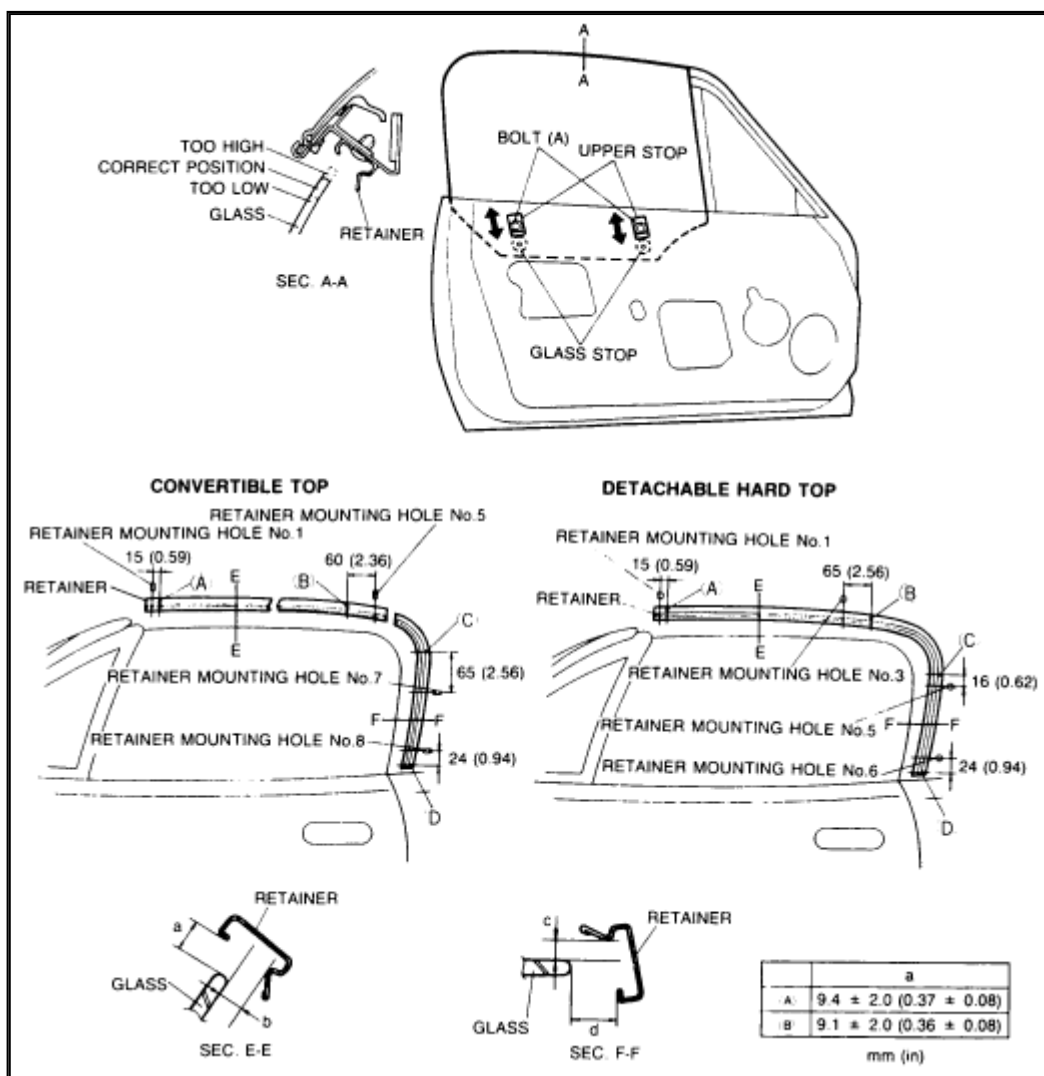
Sized for Print

1. Vertical adjustment of door glass Adjustment procedure Remove the weatherstrip, and check alignment with the door glass in the fully-closed position.

- (1) Loosen upper stop installation bolts (A).
- (2) Adjust by moving the upper stop up or down so that the upper edge of the door glass is in the correct position, and then tighten bolts (A).

Note:

- When the door glass is raised, both glass stop must contact the upper stop simultaneously.
- Before an upper stop is moved for adjustment, lower the door glass slightly.



Zoom

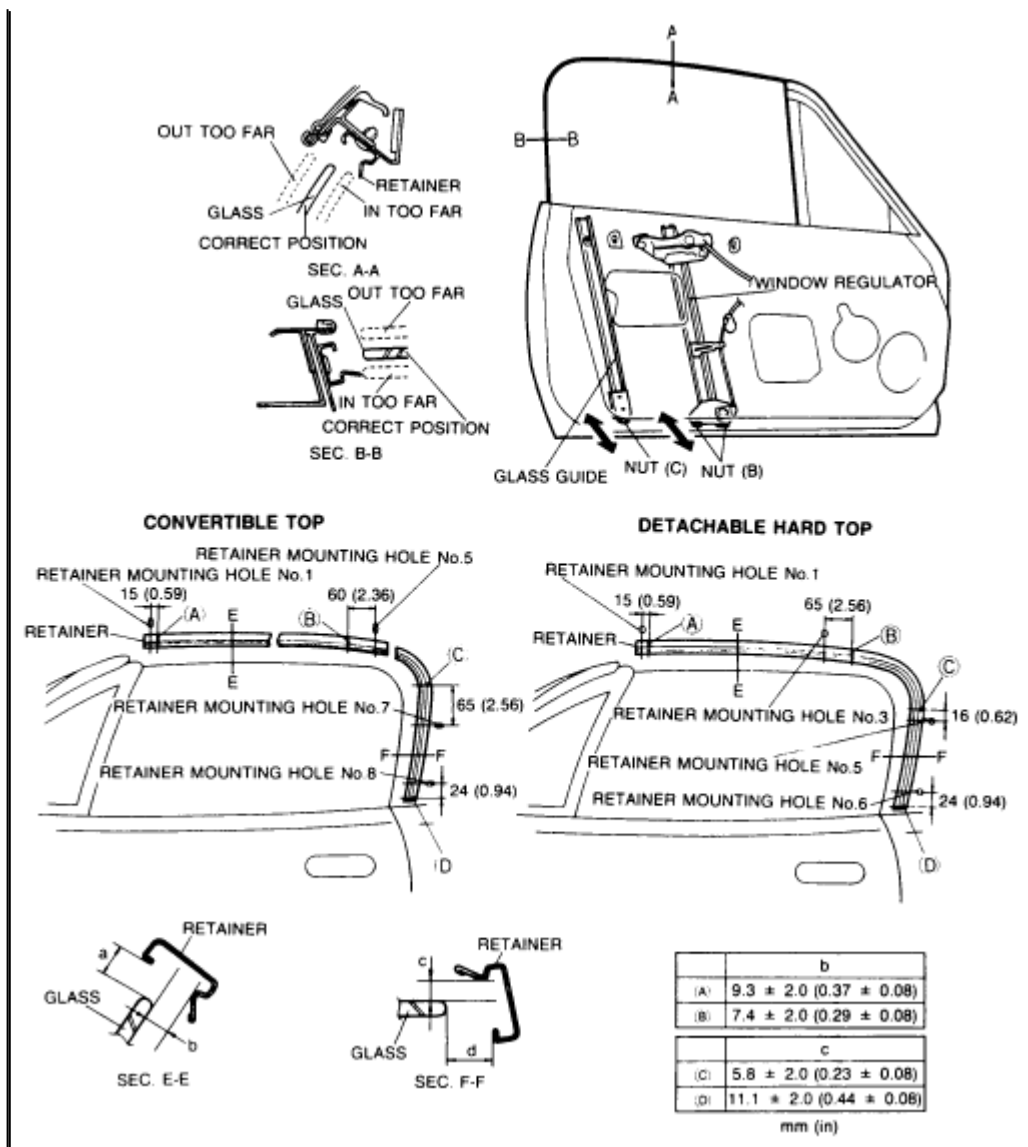
Sized for Print

2. Inboard/Outboard adjustment of door glass Adjustment procedure Remove the weatherstrip, and check alignment with the door glass in the fully-closed position.
 - (1) Loosen window regulator installation nuts (B) and glass guide installation nut (C).
 - (2) Adjust by moving the window regulator and the glass guide inward or outward so that the upper and side edges of the door glass are in the correct position, and then tighten nuts (B) and (C).

Note:

- The window regulator and the glass guide should be tightened in approximately the same position in the slotted adjustment holes.
- The door glass must raise and lower smoothly with the door closed.





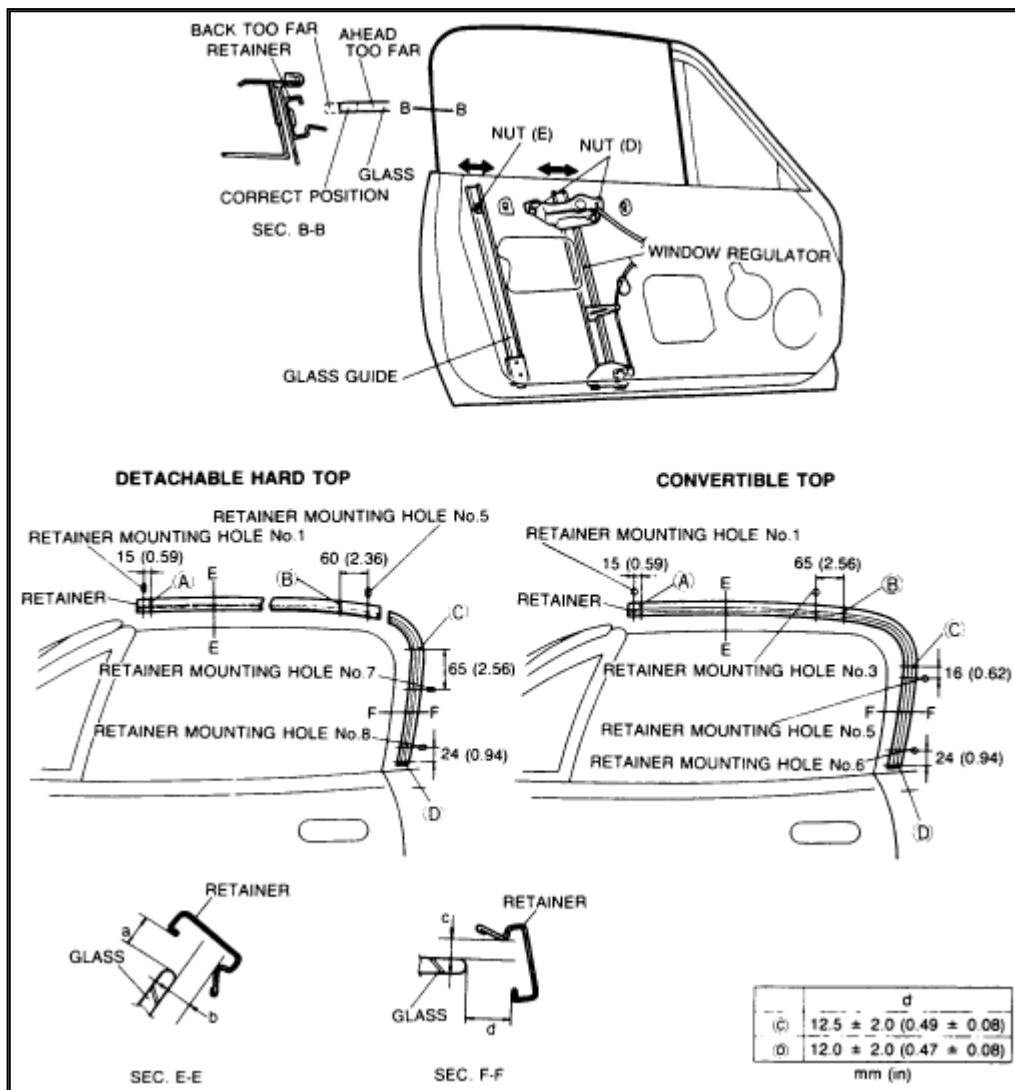
Zoom

Sized for Print

3. Fore and aft adjustment of side edge of door glass Adjustment procedure Remove the weatherstrip, and check alignment with the door glass in the fully-closed position.
 - (1) Loosen window regulator installation nuts (D) and glass guide installation nut (E).
 - (2) Adjust by moving the window regulator and the glass guide fore or aft equally so that the side edge of the door glass is in the correct position, and then tighten the nuts (D) and (E).

Note:

- The window regulator and glass guide should be tightened in approximately the same position in the slotted adjustment holes.
- The door glass must raise and lower smoothly with the door closed.



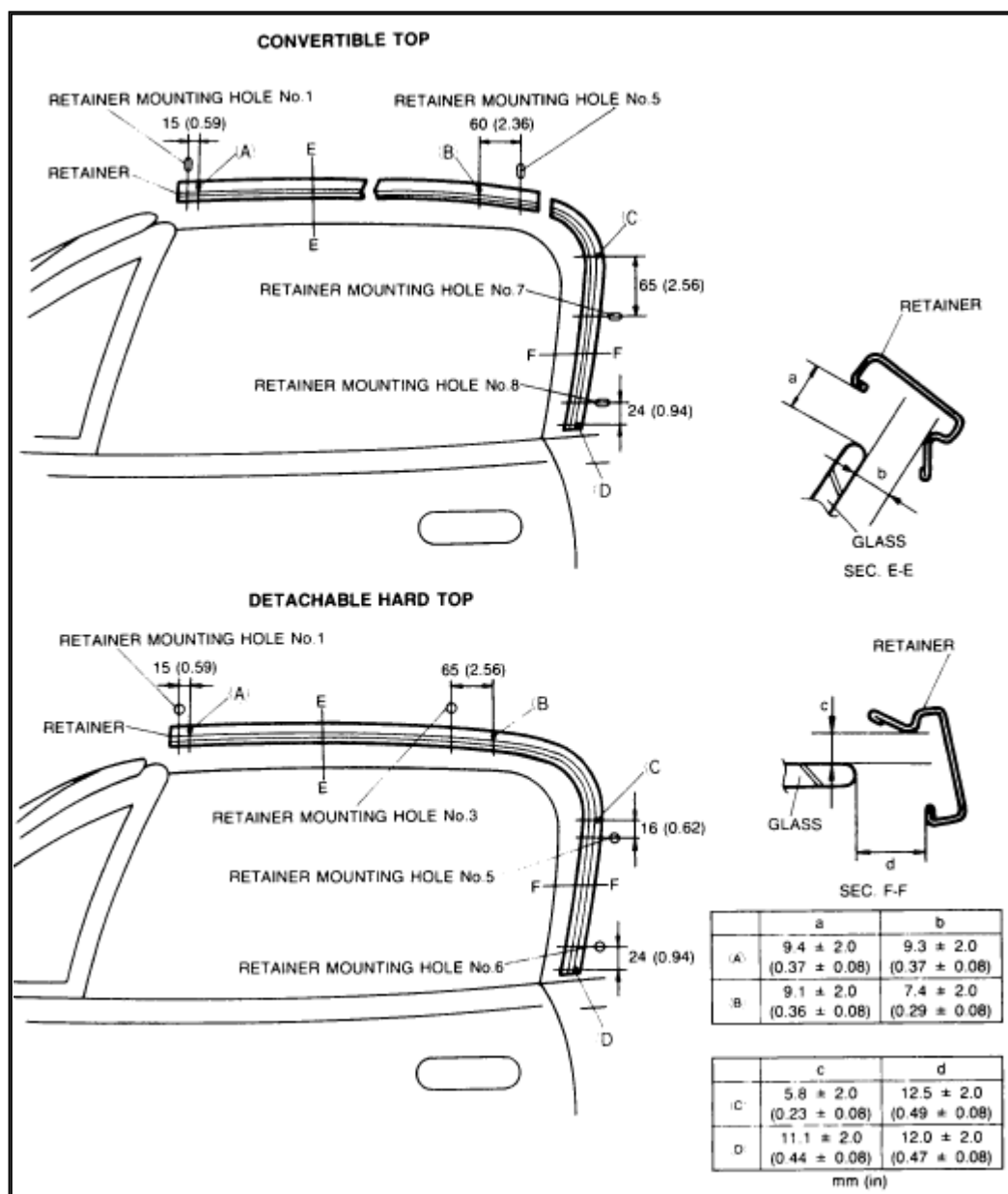
Zoom

Sized for Print

After completion of adjustment, verify the points below

1. Verify the following with the weatherstrip removed.
 - (1) When the door glass is raised, the glass stop contact the upper stop simultaneously.
 - (2) The door glass is in the correct position when fully closed.
2. Verify the following with the weatherstrip installed.

- (1) The door glass raises and lowers smoothly with the door closed.
- (2) Alignment of the weatherstrip is correct (Convertible top only)



Zoom

Sized for Print