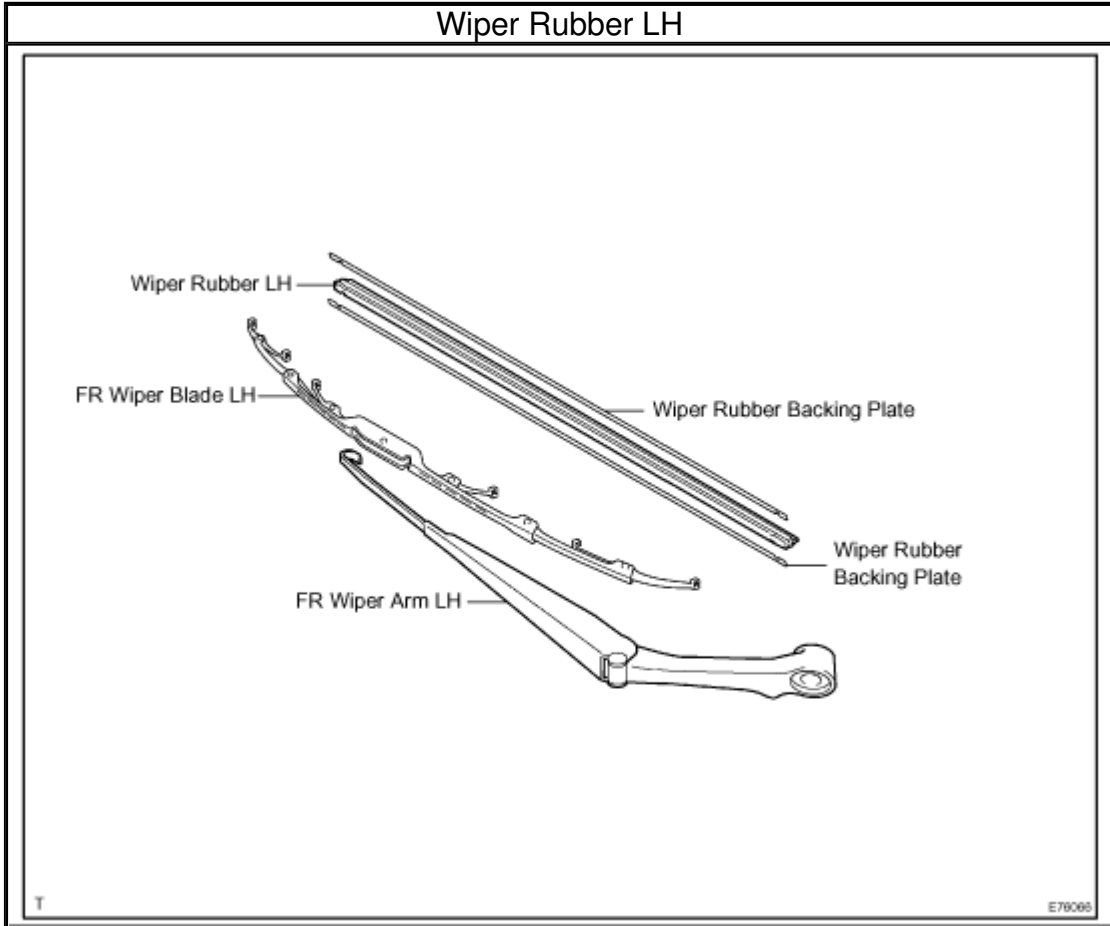


2005 Toyota Truck Tacoma 2WD V6-4.0L (1GR-FE)

Vehicle Level → Wiper and Washer Systems → Wiper Blade → Service and Repair ←

Service and Repair

[Notes](#)



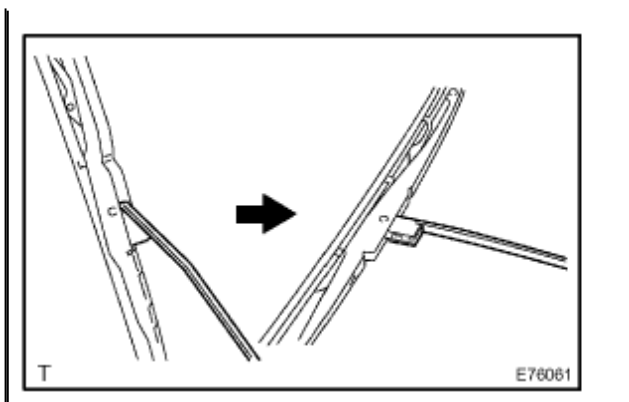
Zoom

Sized for Print

WIPER RUBBER LH

REPLACEMENT



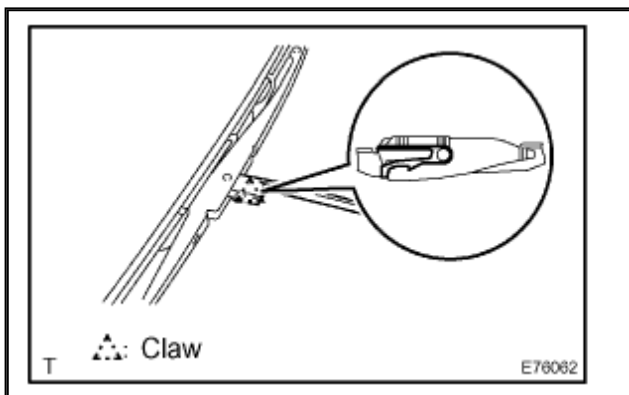


Zoom

Sized for Print

1. REMOVE FR WIPER BLADE LH

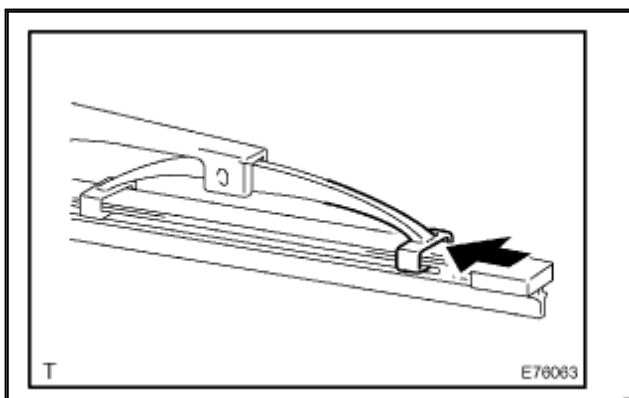
- a. Raise the front wiper blade to the position as shown in the illustration.



Zoom

Sized for Print

- b. Disengage the claw and remove the front wiper blade LH from the front [wiper arm](#) LH. **NOTE:** Do not bend the front [wiper arm](#) with the front wiper blade LH removed, as the arm tip could damage the windshield surface.

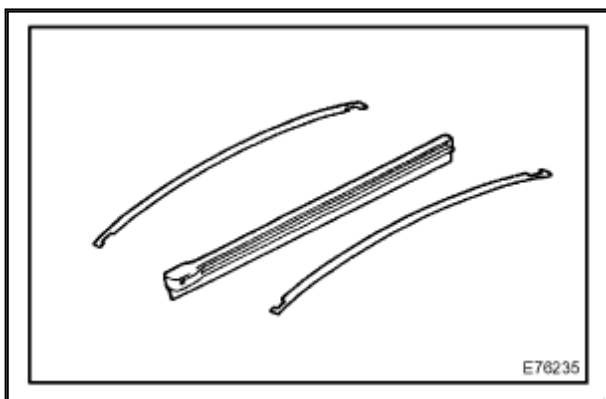


Zoom

Sized for Print

2. REMOVE WIPER RUBBER LH

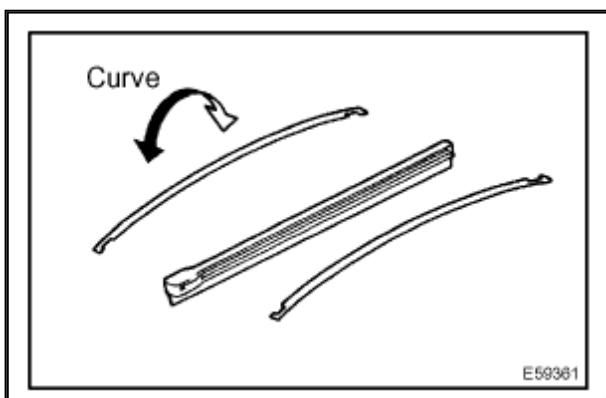
- a. Remove the front wiper rubber LH from the front wiper blade.



Zoom

Sized for Print

- b. Remove the 2 wiper rubber backing plates from the wiper rubber LH.



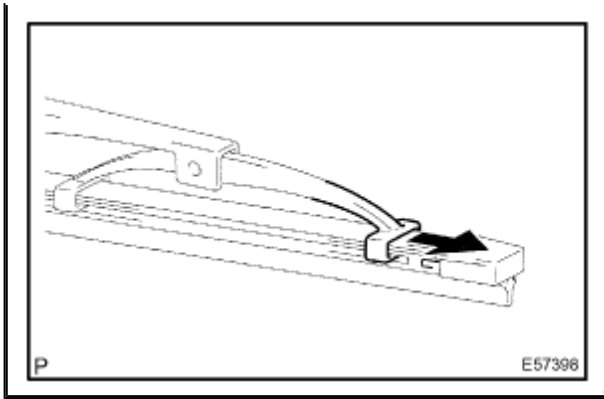
Zoom

Sized for Print

3. INSTALL WIPER RUBBER LH

- a. Install the 2 wiper rubber backing plates onto the wiper rubber LH.
NOTE: Be sure to install the wiper rubber backing plates in the correct direction.

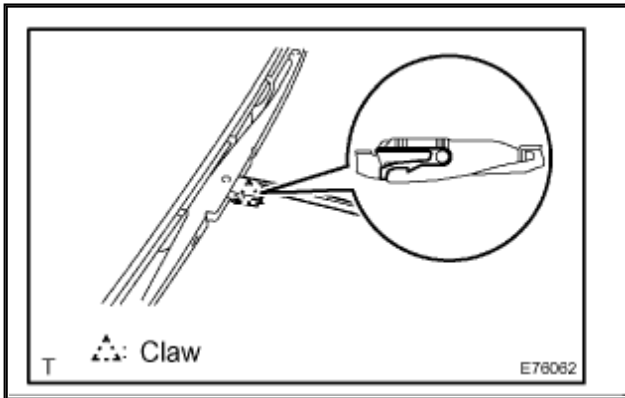




Zoom

Sized for Print

- b. Install the wiper rubber LH so that the head part (Larger side) of the wiper rubber faces the arm axle side. **NOTE:** Push the front wiper blade into the grooves of the wiper rubber to engage them completely.

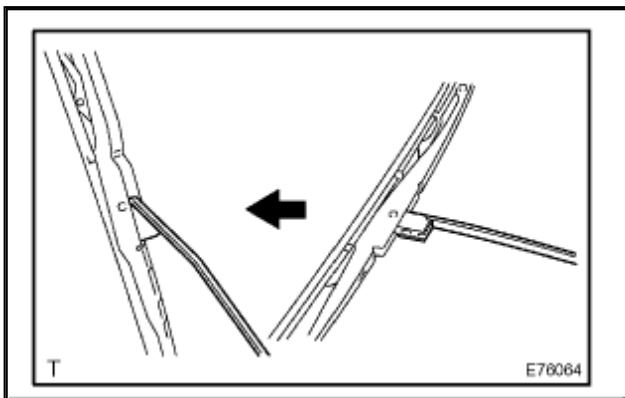


Zoom

Sized for Print

4. INSTALL FR WIPER BLADE LH

- a. Engage the claw and install the front wiper blade LH onto the front [wiper arm](#) LH.



Zoom

Sized for Print

b. Hold down the front wiper blade LH as shown in the illustration.

© 2010 ALLDATA LLC. All rights reserved.
[Terms of Use](#)