

[Home](#) | [Account](#) | [Contact ALLDATA](#) | [Log Out](#) | [Help](#)

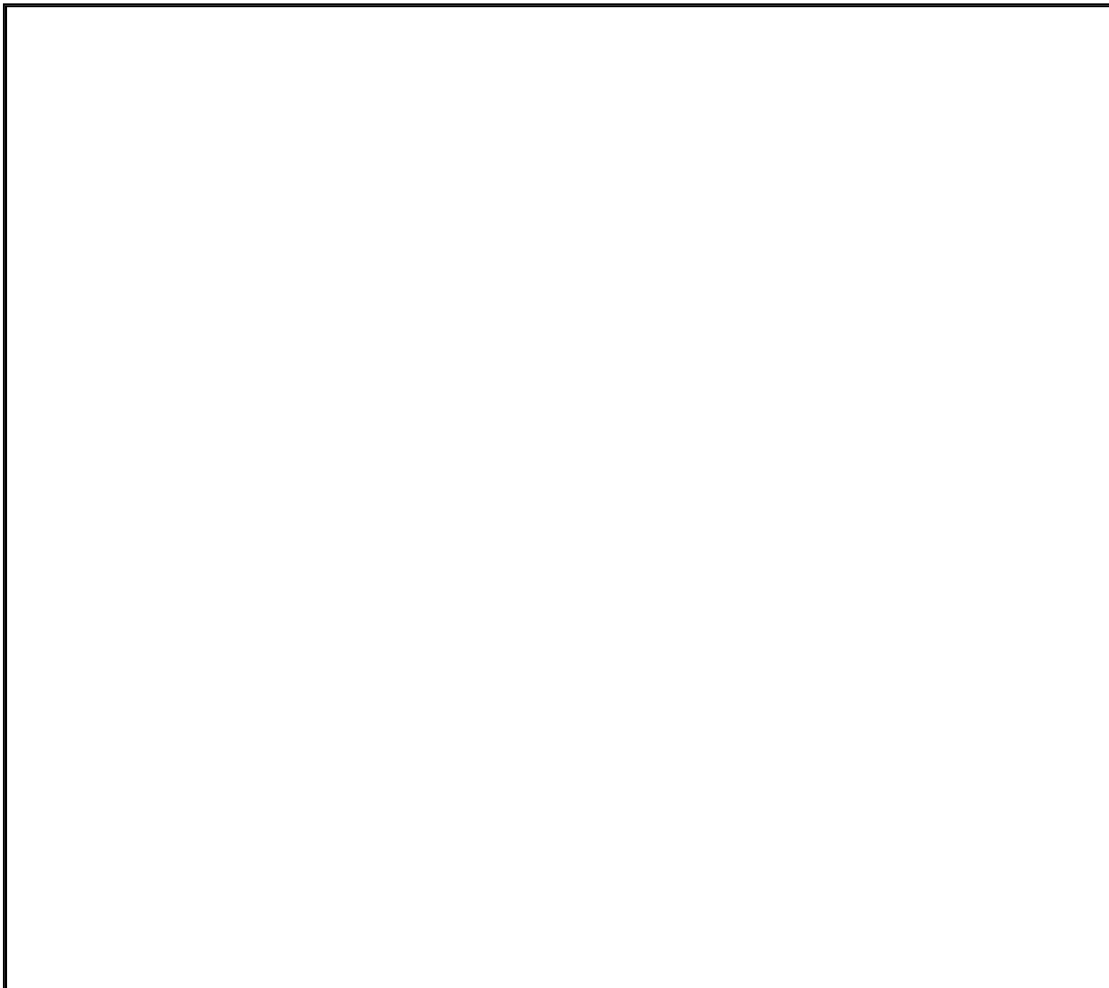
PAUL REDEHOFT

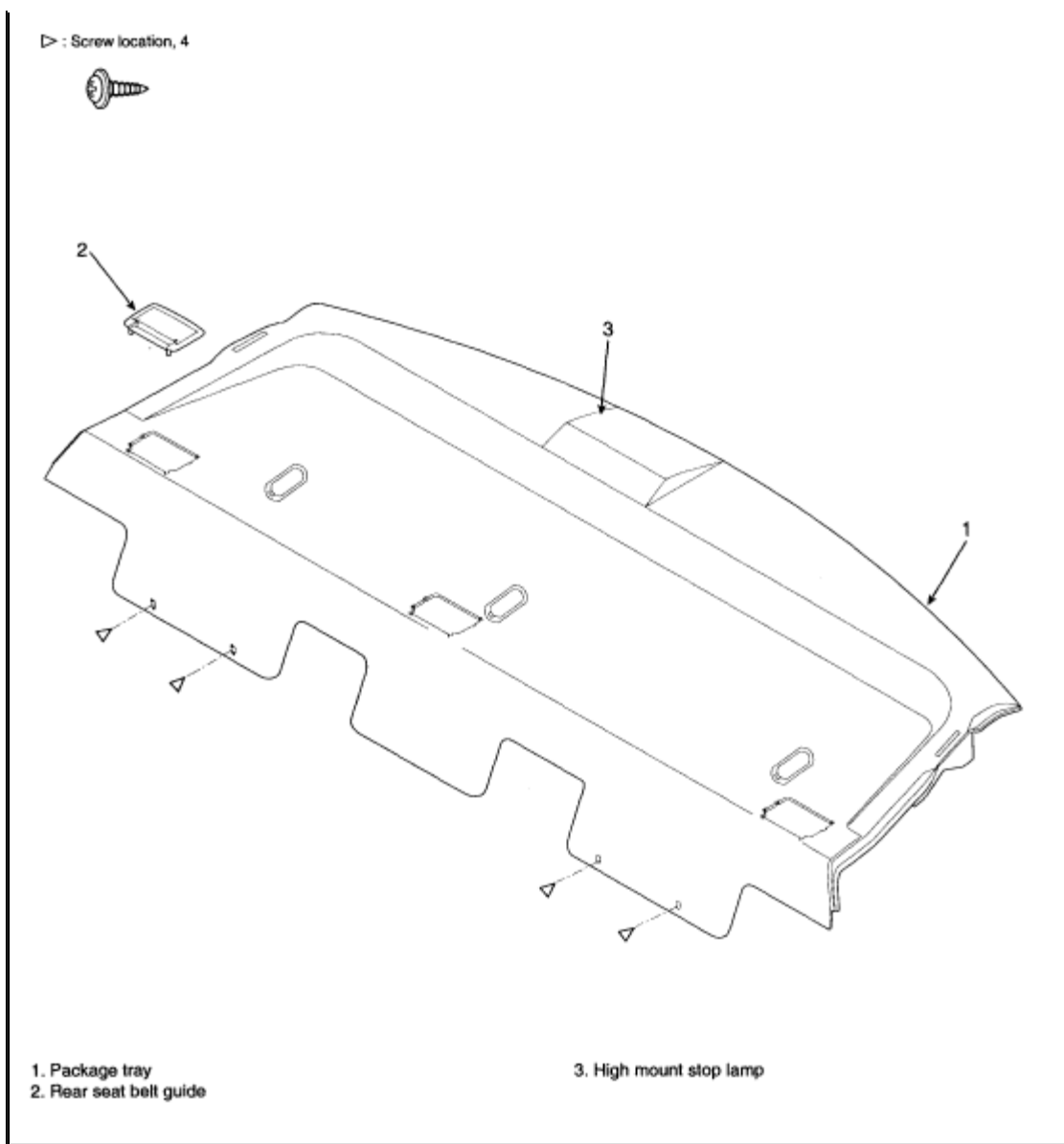
[Select Vehicle](#) | [New TSBs](#) | [Technician's Reference](#) | Component Search:

OK

 Conversion Calculator**2006 Hyundai Sonata V6-3.3L**[Vehicle Level](#) → [Body and Frame](#) → [Interior Moulding / Trim](#) → [Rear Shelf](#) → [Service and Repair](#) ←**Service and Repair**[Notes](#)**PACKAGE TRAY**

1. Remove the trim. **NOTE:**
 - Put on gloves to protect your hands.
 - When prying with a flat-tip screwdriver, wrap it with protective tape to prevent damage.
 - Take care not to bend or scratch the trim and panels.
2. Installation is the reverse of removal. **NOTE:** Replace any damage clips.





Zoom

Sized for Print