

2005 Chevy Truck Silverado 1500 2WD V8-5.3L VIN T

Vehicle Level → Heating and Air Conditioning → Blower Motor Resistor → Service and Repair → Blower Motor Resistor Replacement ←

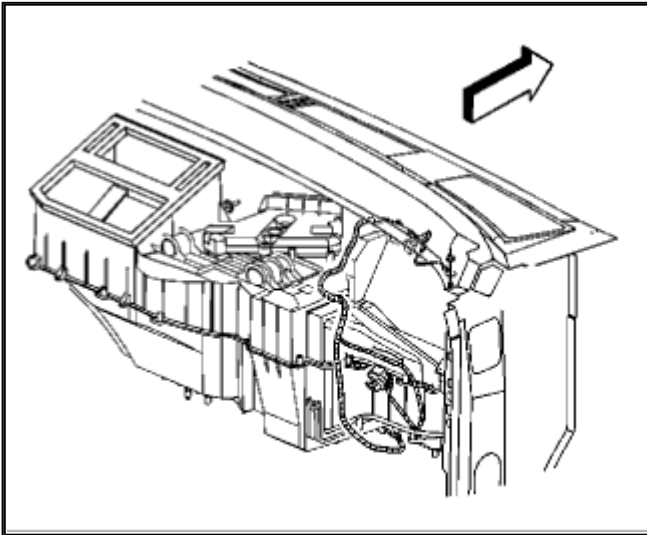
Blower Motor Resistor Replacement

[Notes](#)

BLOWER MOTOR RESISTOR REPLACEMENT

REMOVAL PROCEDURE

1. If equipped, remove the IP sound insulator.

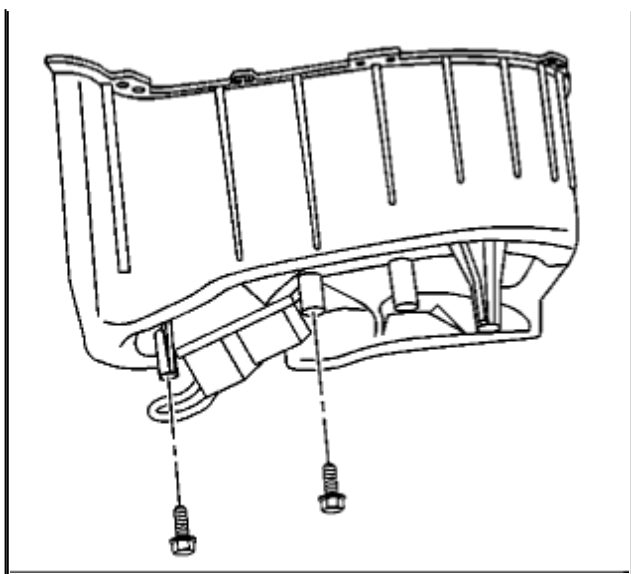


Zoom

Sized for Print

2. Disconnect the electrical connection from the [blower motor](#).
3. Disconnect the electrical connection from the blower motor resistor.

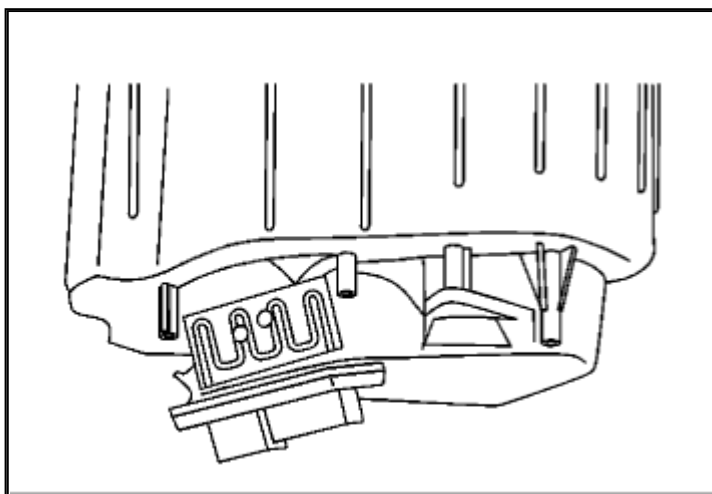




Zoom

Sized for Print

4. Remove the blower motor resistor retaining screws.



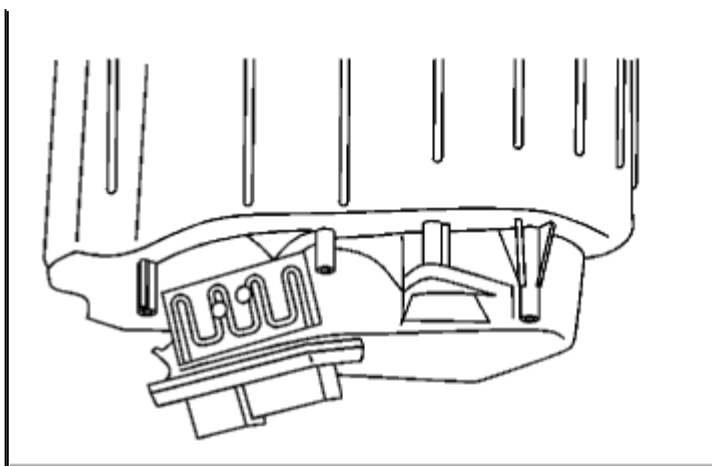
Zoom

Sized for Print

5. Remove the blower motor resistor.

INSTALLATION PROCEDURE

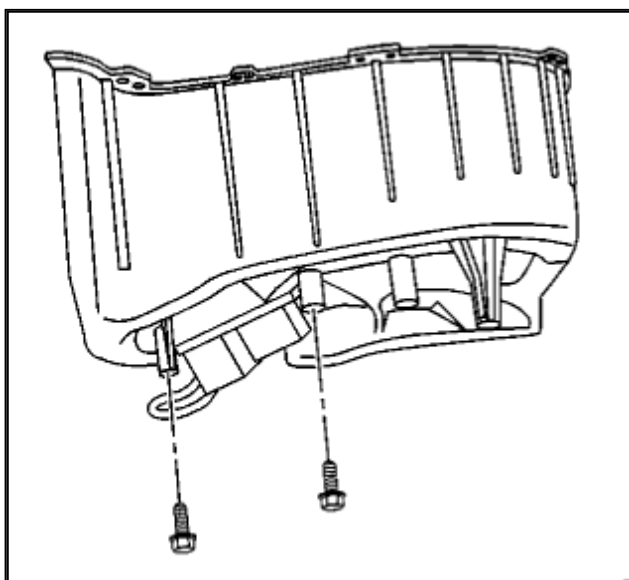




Zoom

Sized for Print

1. Install the blower motor resistor. **NOTE:** Refer to Fastener Notice in Service Precautions.

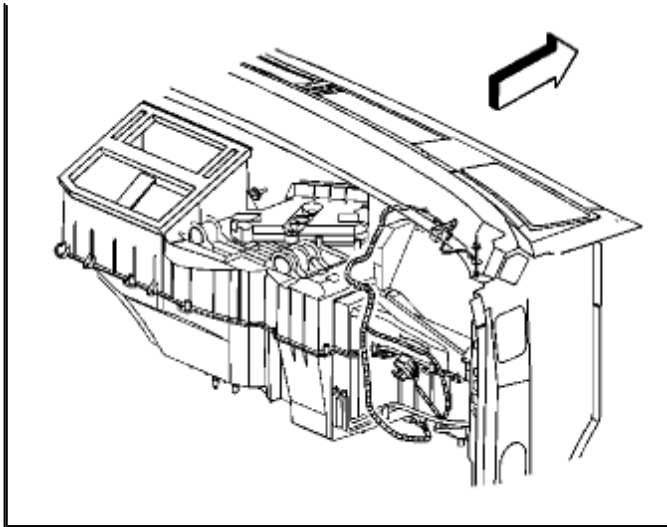


Zoom

Sized for Print

2. Install the blower motor resistor retaining screws. **Tighten** Tighten the screws to **1.6 N.m (14 lb in)** .





Zoom

Sized for Print

3. Connect the electrical connection to the blower motor resistor.
4. Connect the electrical connection to the [blower motor](#).
5. If equipped, install the IP sound insulator.