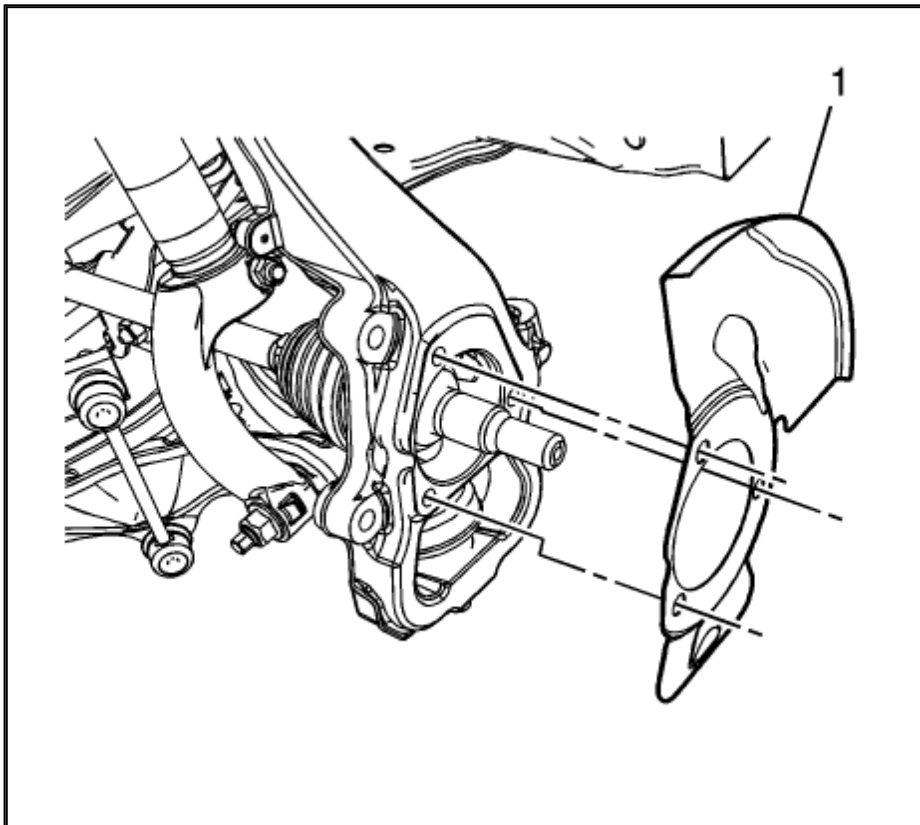


2009 Cadillac CTS AWD V6-3.6L

[Vehicle Level](#) → [Brakes and Traction Control](#) → [Disc Brake System](#) → [Service and Repair](#) → [Front Brake Shield Replacement](#) ←

Front Brake Shield Replacement[Notes](#)**Front Brake Shield Replacement (AWD)****Removal Procedure**

Warning: Refer to Brake Dust Warning ([See: Service Precautions\Technician Safety Information\Brake Dust Warning](#)).



Zoom

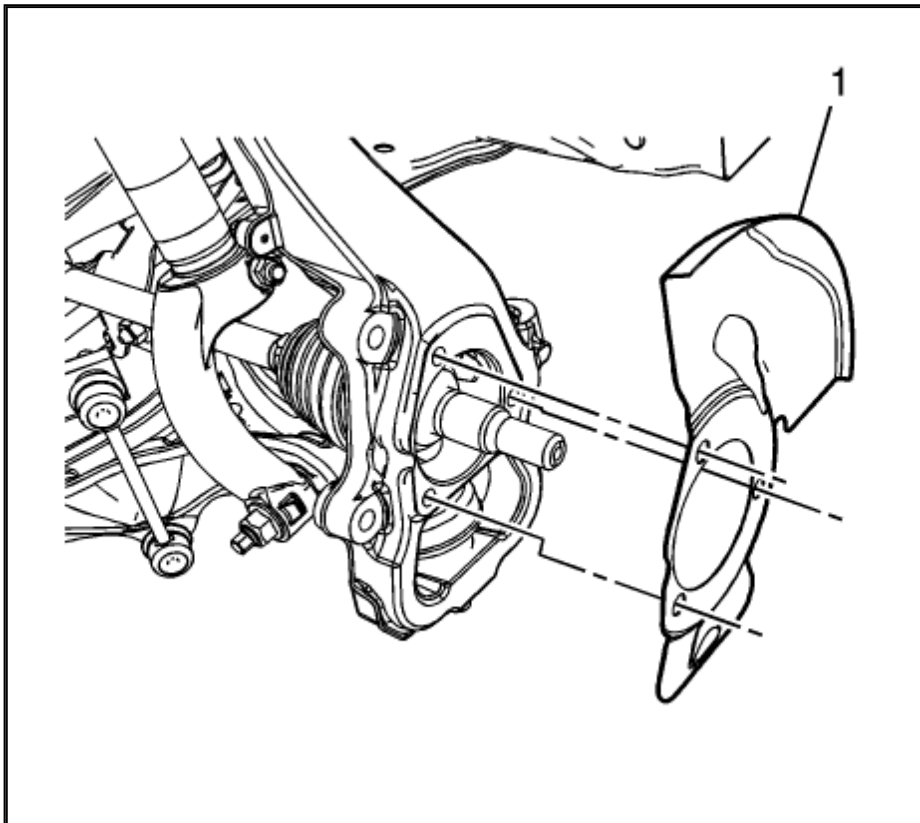
Sized for Print

1. Raise and support the vehicle. Refer to Lifting and Jacking the Vehicle ([See: Maintenance\Vehicle Lifting\Service and Repair](#)).
2. Remove the tire and wheel assembly. Refer to Tire and Wheel Removal and Installation ([See: Maintenance\Wheels and Tires\Service and Repair](#)).
3. Remove the [wheel speed sensor](#). Refer to Front Wheel Speed Sensor Replacement (AWD) ([See: Sensors and Switches - Brakes and Traction](#)

[Control\Wheel Speed Sensor\Service and Repair\Front Wheel Speed Sensor Replacement](#)Front Wheel Speed Sensor Replacement (RWD) (See: [Sensors and Switches - Brakes and Traction Control\Wheel Speed Sensor\Service and Repair\Front Wheel Speed Sensor Replacement](#)).

4. Remove the front wheel bearing and hub assembly. Refer to [Front Wheel Bearing and Hub Replacement \(AWD\)](#) (See: [Maintenance\Wheels and Tires\Wheel Bearing\Service and Repair\Front Suspension](#))[Front Wheel Bearing and Hub Replacement \(RWD\)](#) (See: [Maintenance\Wheels and Tires\Wheel Bearing\Service and Repair\Front Suspension](#)).
5. Remove the front brake shield (1).

Installation Procedure



Zoom

Sized for Print

1. Install the front brake shield (1).
2. Install the front wheel bearing and hub assembly. Refer to [Front Wheel Bearing and Hub Replacement \(AWD\)](#) (See: [Maintenance\Wheels and Tires\Wheel Bearing\Service and Repair\Front Suspension](#))[Front Wheel Bearing and Hub Replacement \(RWD\)](#) (See: [Maintenance\Wheels and Tires\Wheel Bearing\Service and Repair\Front Suspension](#)).
3. Install the [wheel speed sensor](#). Refer to [Front Wheel Speed Sensor Replacement \(AWD\)](#) (See: [Sensors and Switches - Brakes and Traction Control\Wheel Speed Sensor\Service and Repair\Front Wheel Speed Sensor Replacement](#))[Front Wheel Speed Sensor Replacement \(RWD\)](#) (See: [Sensors and Switches - Brakes and Traction Control\Wheel Speed Sensor\Service and](#)

- [Repair\Front Wheel Speed Sensor Replacement](#)).
4. Install the tire and wheel assembly. Refer to Tire and Wheel Removal and Installation ([See: Maintenance\Wheels and Tires\Service and Repair](#)).

© 2010 ALLDATA LLC. All rights reserved.
[Terms of Use](#)