

**2009 Cadillac CTS AWD V6-3.6L**

[Vehicle Level](#) → [Steering and Suspension](#) → [Suspension](#) → [Control Arm](#) → [Service and Repair](#) → [Rear Suspension](#) → [Upper Control Arm Replacement](#) ←

Upper Control Arm Replacement

[Notes](#)

Upper Control Arm Replacement

Special Tools

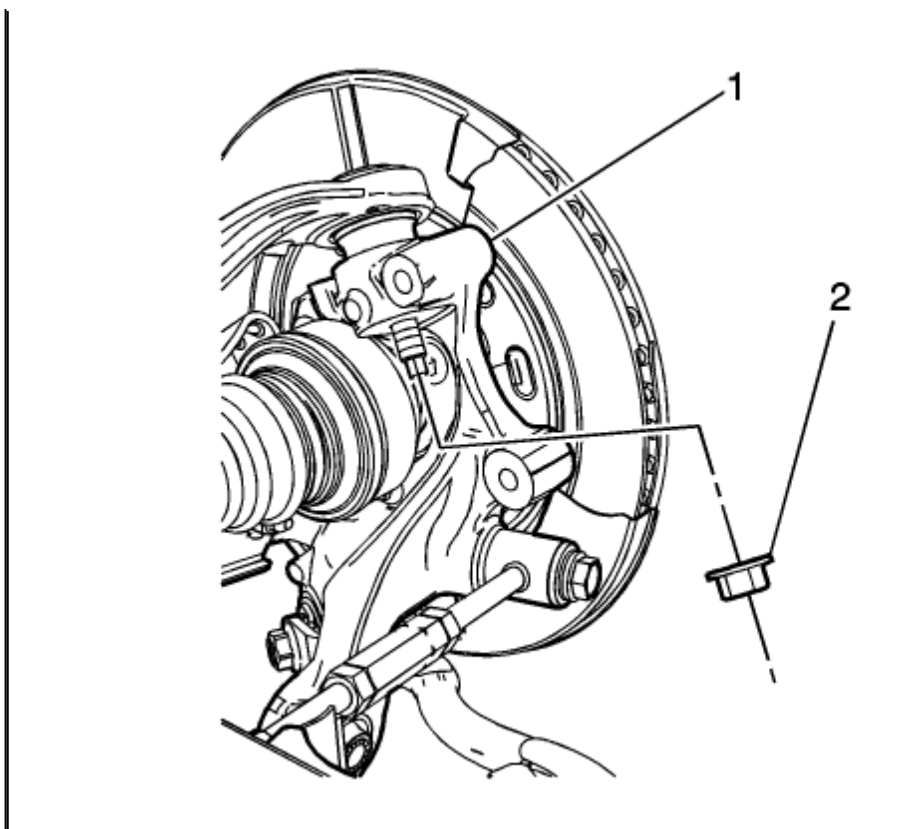
J 43631 [Ball Joint](#) Remover

Removal Procedure

Caution: The ball stud must not rotate during disassembly or reassembly. Hand tools must be used to keep the ball stud from rotating. If air tools are used and the stud is allowed to rotate, damage to the ball stud and/or stud mounting hole may occur.

1. Raise and support the vehicle. Refer to Lifting and Jacking the Vehicle ([See: Wheels and Tires\Vehicle Lifting\Service and Repair](#)).
2. Remove the tire and wheel. Refer to Tire and Wheel Removal and Installation ([See: Wheels and Tires\Service and Repair](#)). **Note:** Remove the brake caliper and mounting bracket as an assembly. Relocate the assembly and support with mechanics wire.
3. Remove the brake caliper mounting bracket. Refer to Rear Brake Caliper Bracket Replacement ([See: Brakes and Traction Control\Disc Brake System\Brake Caliper\Service and Repair\Removal and Replacement\Rear Brake Caliper Bracket Replacement](#)).
4. Remove the [shock absorber](#). Refer to Shock Absorber Replacement ([See: Shock Absorber\Service and Repair](#)).

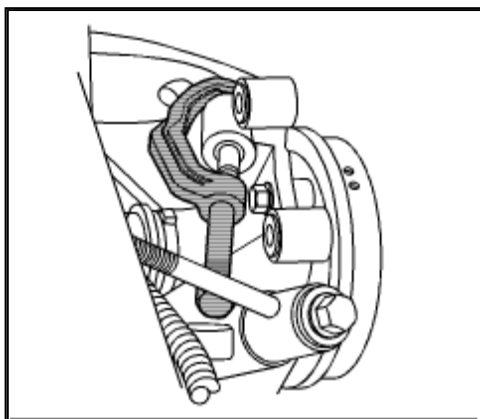




Zoom

Sized for Print

5. Remove the upper [ball joint](#) retaining nut (2) from the knuckle (1).

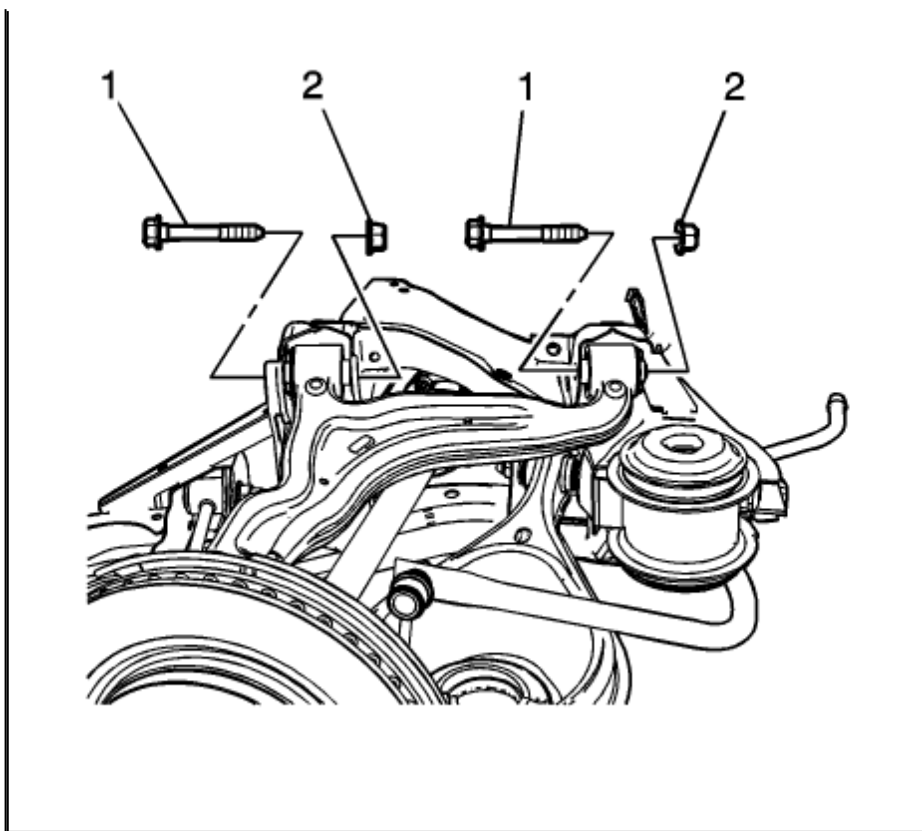


Zoom

Sized for Print

6. Using the J 43631 , remove the upper [ball joint](#) from the upper control arm.

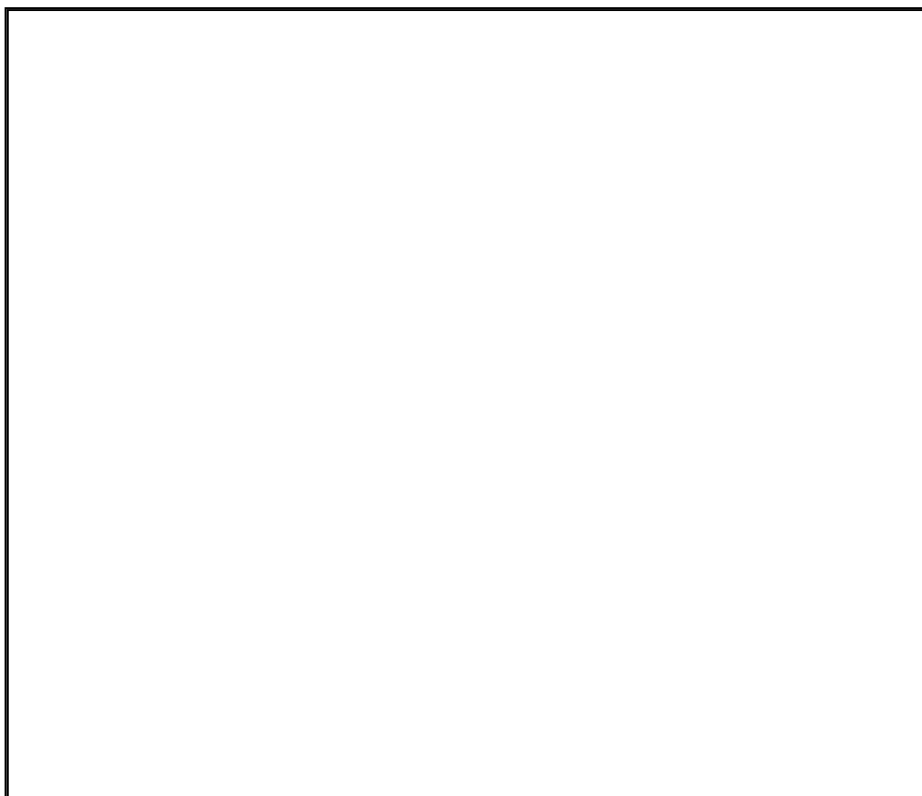


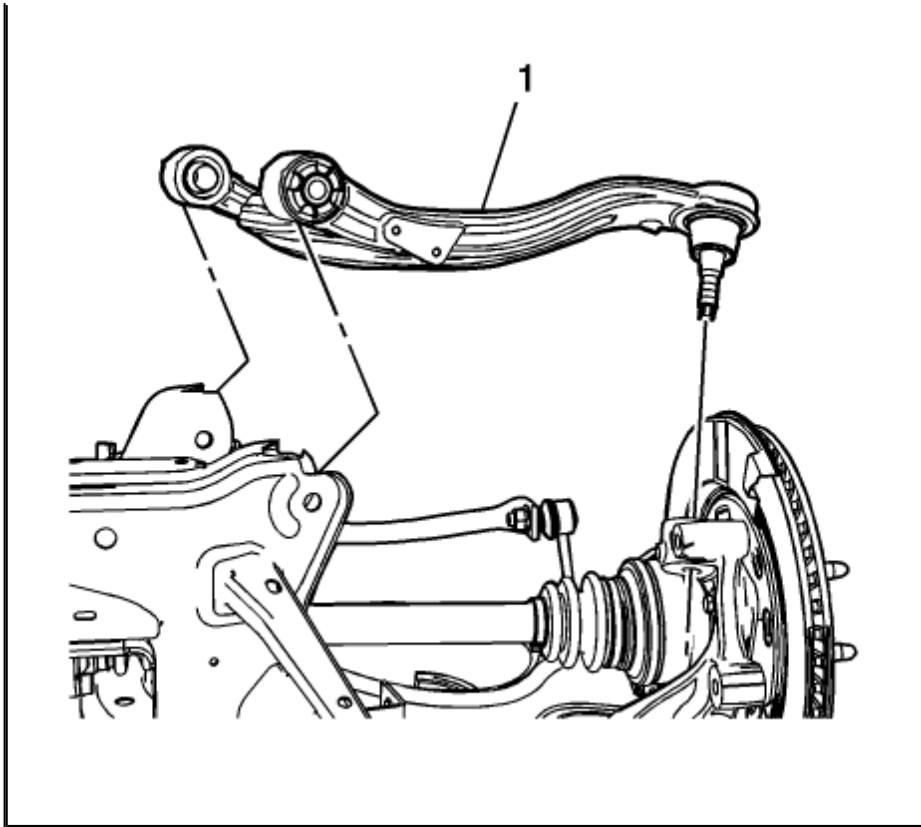


Zoom

Sized for Print

7. Remove the upper control arm nuts (2) and bolts (1) from the frame.



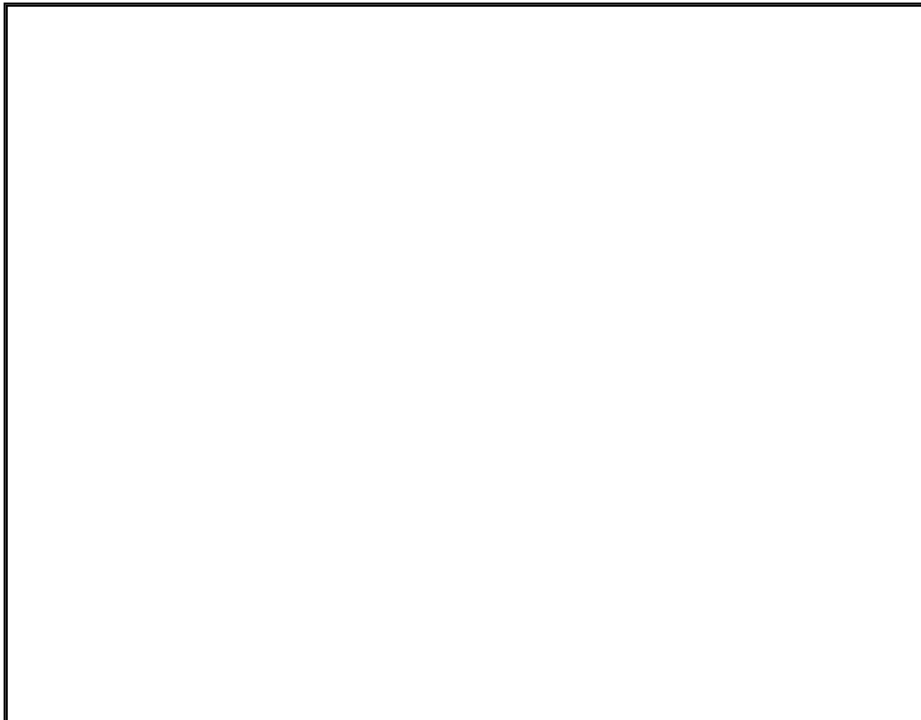


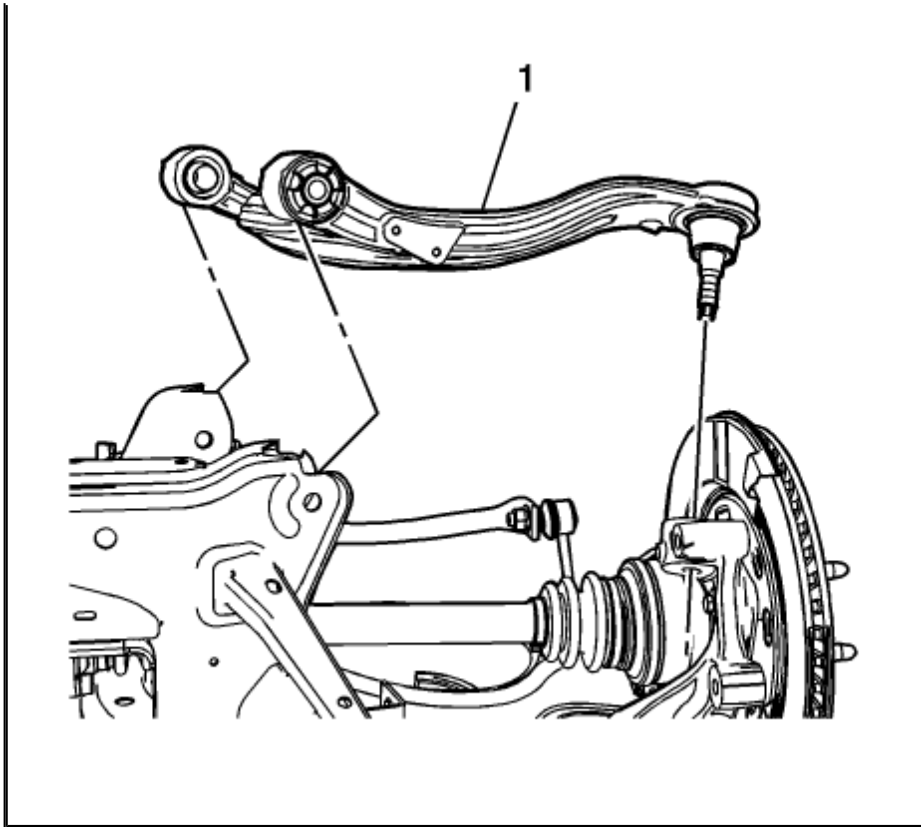
Zoom

Sized for Print

8. Remove the upper control arm (1) from the vehicle.

Installation Procedure

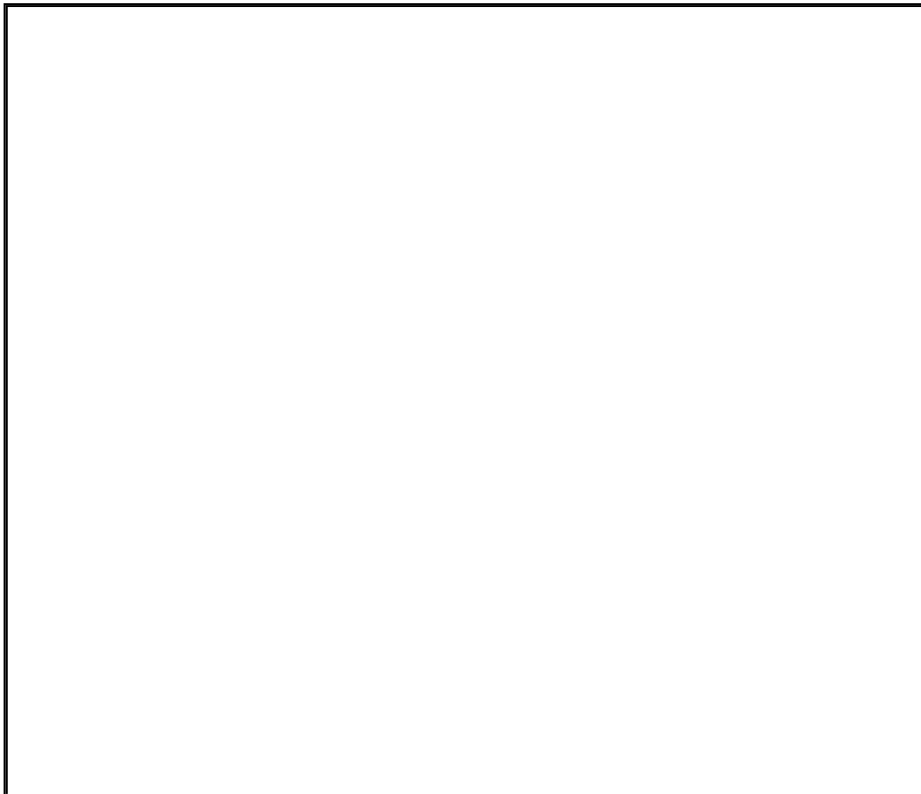


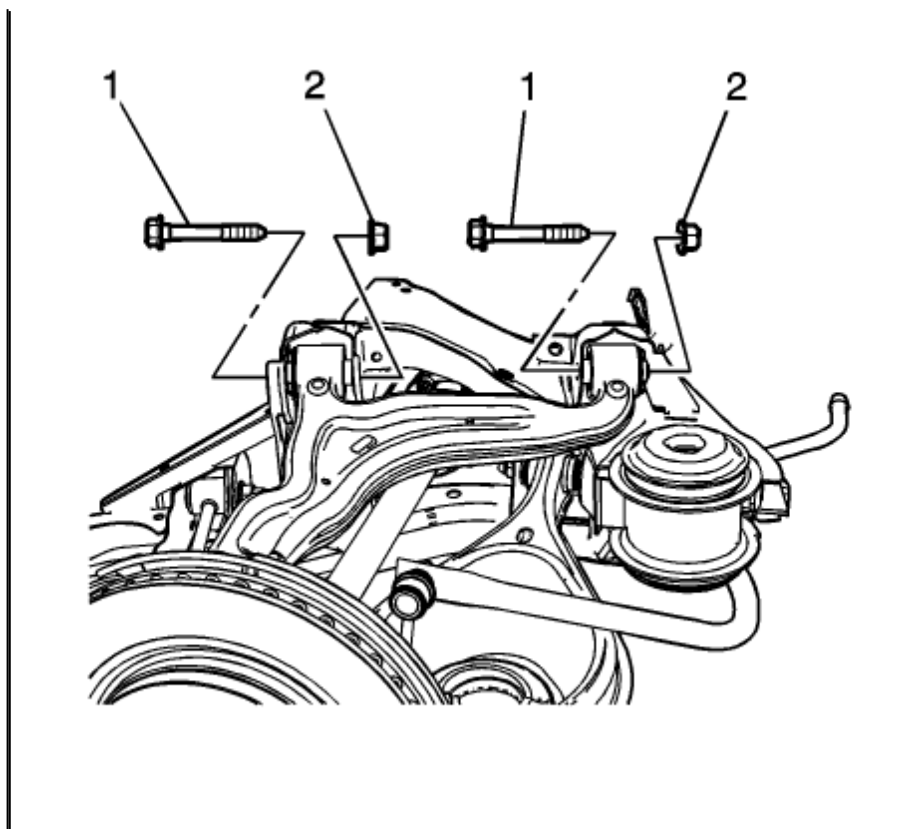


Zoom

Sized for Print

1. Position the upper control arm (1) in the frame.





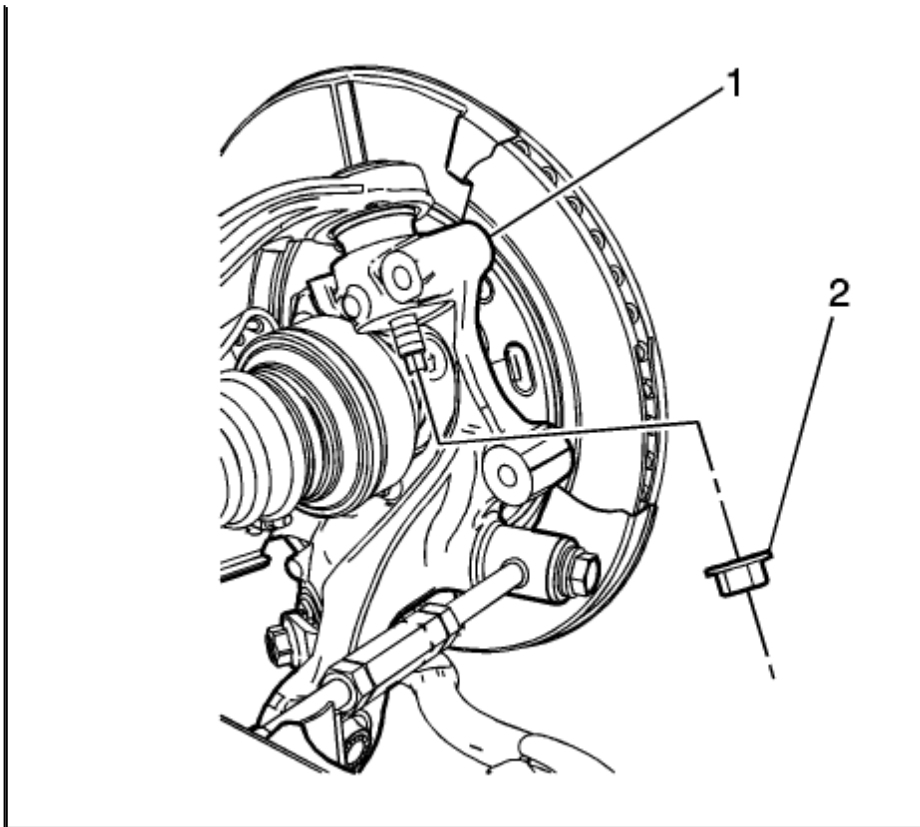
Zoom

Sized for Print

Caution: Refer to Fastener Caution ([See: Service Precautions\Vehicle Damage Warnings\Fastener Caution](#)).

2. Install the upper control arm mounting bolts (1) and the retaining nuts (2) to **120Nm (88 lb ft)** .





Zoom

Sized for Print

3. Install the upper [ball joint](#) (1) to the knuckle (2) and tighten to **20 Nm (15 lb ft)** plus an additional **210 degree** turn.
4. Install the brake caliper mounting bracket. Refer to [Rear Brake Caliper Bracket Replacement](#) (See: [Brakes and Traction Control\Disc Brake System\Brake Caliper\Service and Repair\Removal and Replacement\Rear Brake Caliper Bracket Replacement](#)).
5. Install the [shock absorber](#). Refer to [Shock Absorber Replacement](#) (See: [Shock Absorber\Service and Repair](#)).
6. Install the tire and wheel assembly. Refer to [Tire and Wheel Removal and Installation](#) (See: [Wheels and Tires\Service and Repair](#)).
7. Remove the support and lower the vehicle.
8. Check the rear wheel alignment. Refer to [Wheel Alignment Specifications](#) (See: [Alignment\Specifications\Wheel Alignment Specifications](#)).