

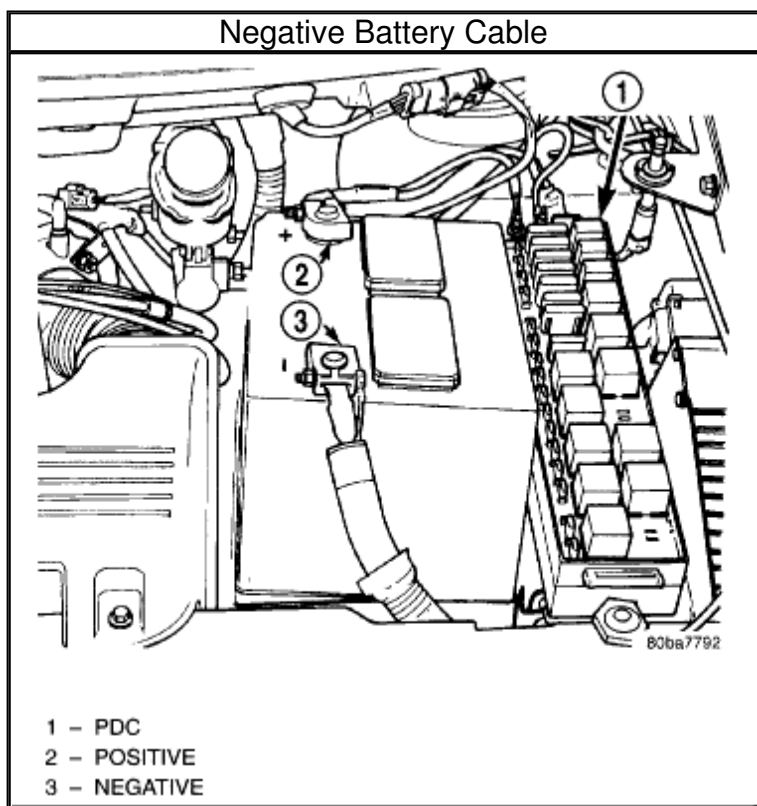
2000 Plymouth Truck Grand Voyager V6-3.3L VIN R

Vehicle Level → Wiper and Washer Systems → Service and Repair ←

Service and Repair

[Notes](#)

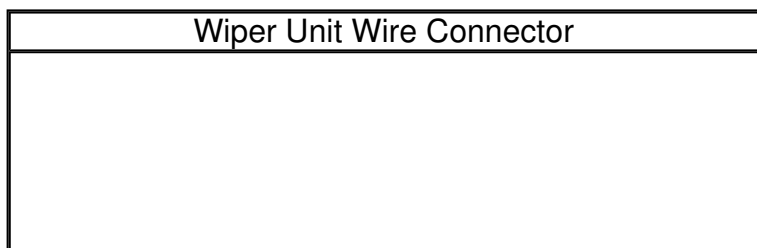
REMOVAL

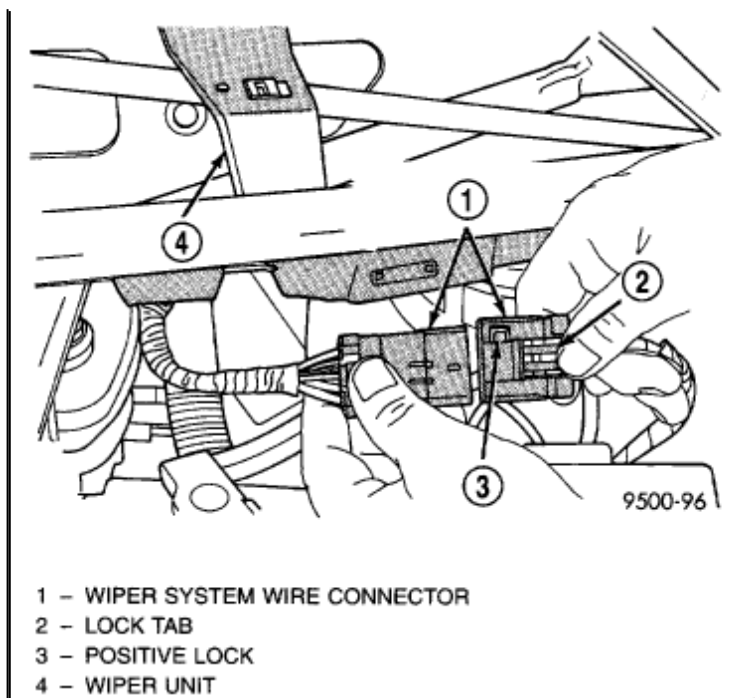


Zoom

Sized for Print

1. Disconnect and isolate the negative battery cable.
2. Remove the [wiper arms](#).
3. Remove the cowl cover.
4. Release the hood latch and open hood.

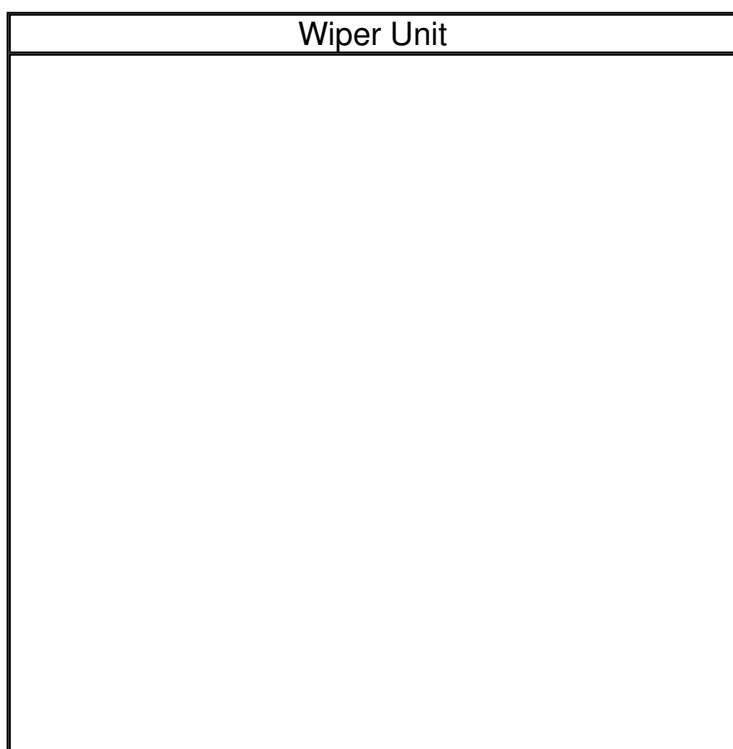


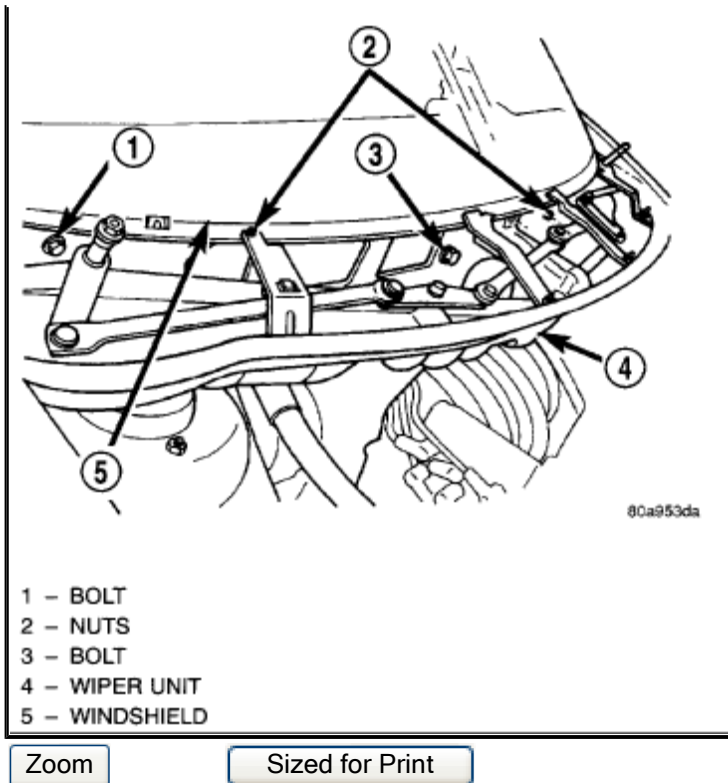


Zoom

Sized for Print

5. Disconnect the positive lock on the wiper unit wire connector.
6. Disconnect the wiper unit wire connector from the engine compartment wire harness.
7. Disconnect the windshield washer hose from coupling inside unit.
8. Disconnect the drain tubes from nipples on bottom of the wiper unit.
9. Remove nuts holding wiper unit to lower windshield fence.





10. Remove bolts holding the wiper unit to the dash panel.
11. Lift wiper unit from weld-studs on lower windshield fence. **CAUTION:** Do not allow wiper unit to rest on brake master cylinder reservoir, damage to brake system can result.
12. Remove wiper unit.

### INSTALLATION

For installation, reverse the above procedure.