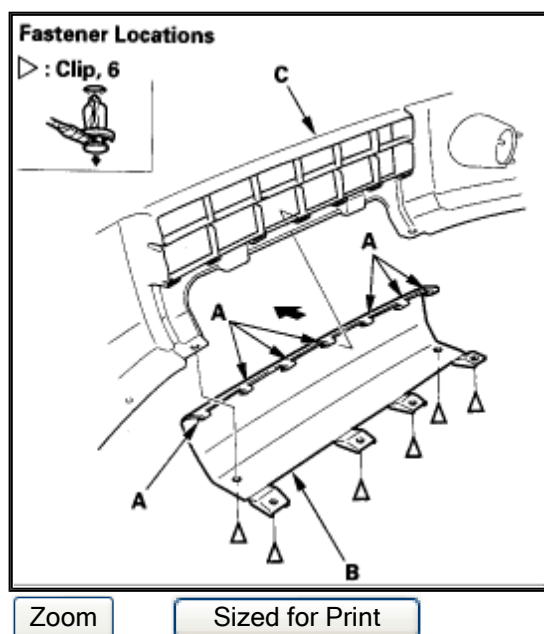


**2007 Honda Truck Element 2WD L4-2.4L**

Vehicle Level → Body and Frame → Bumper → Front Bumper → Service and Repair → Removal and Replacement → Front Bumper Trim Replacement ←

**Front Bumper Trim Replacement**[Notes](#)**Front [Bumper](#) Trim Replacement****LX, EX Models**

1. Remove the clips, and release the hooks (A), then remove the front [bumper](#) trim (B) from the front bumper (C) by pulling it out. Take care not to scratch the front bumper.
2. Install the trim in the reverse order of removal, and note these items:
  - Check if the clips are damaged or stress-whitened, and if necessary, replace them with new ones.
  - Push the hook portions into place securely.