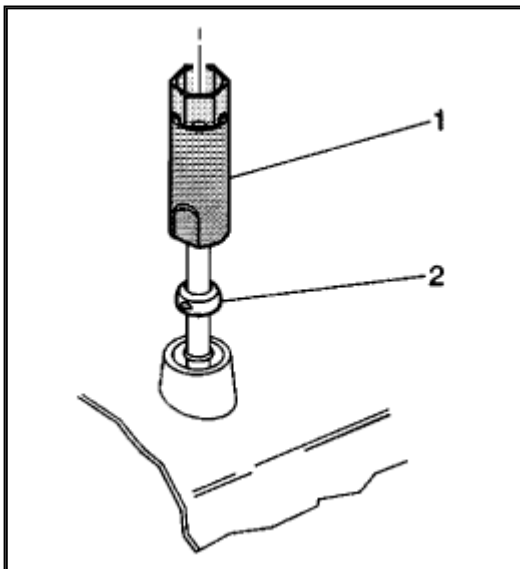


1999 Chevrolet Corvette V8-5.7L VIN G

[Vehicle Level](#) → [Accessories and Optional Equipment](#) → [Antenna Mast](#) → [Service and Repair](#) → [Power Antenna Mast Replacement](#) ←

Power Antenna Mast Replacement[Notes](#)**REMOVAL PROCEDURE**

The power antenna is serviced as a complete unit only, however an [antenna](#) (mast) which has been bent or broken can be replaced, rather than replacing the complete power antenna.

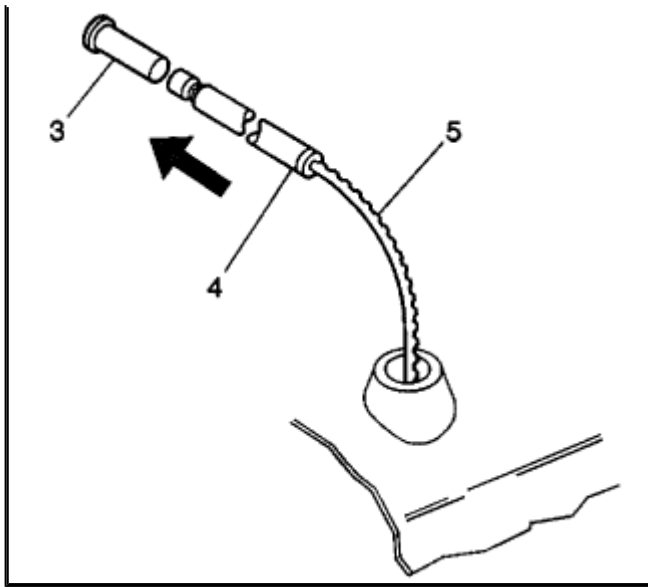


Zoom

Sized for Print

1. Using the socket (1) provided with the [antenna](#) (mast) service kit, remove the antenna mast nut (2).





Zoom

Sized for Print

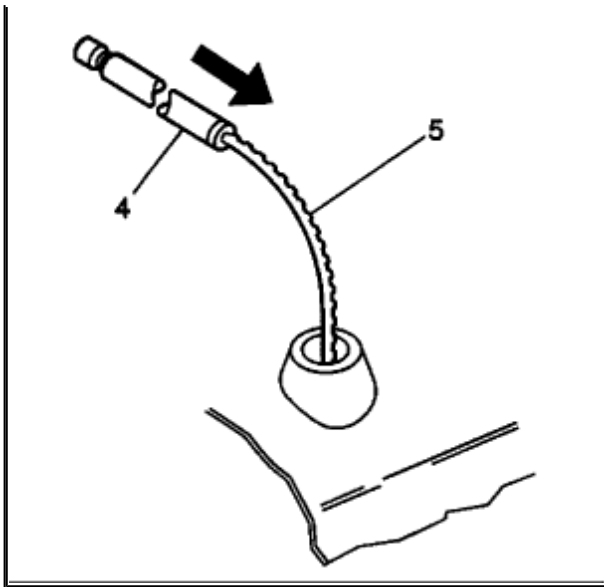
2. Turn the ignition to the ACC or ON position.
3. Turn the [radio](#) ON to raise the power antenna.

IMPORTANT:

- Prior to complete removal, note the orientation of the serrated side of the antenna mast plastic cable (5).
 - The antenna mast plastic cable (5) will likely coil back once removed, take precautions to avoid grease splatter on the vehicle.
4. Remove the antenna mast (4) with the contact spring (3). It may be necessary to gently pull the mast up by hand to release and remove.
 5. Turn the [radio](#) OFF.
 6. Turn the ignition OFF.

INSTALLATION PROCEDURE

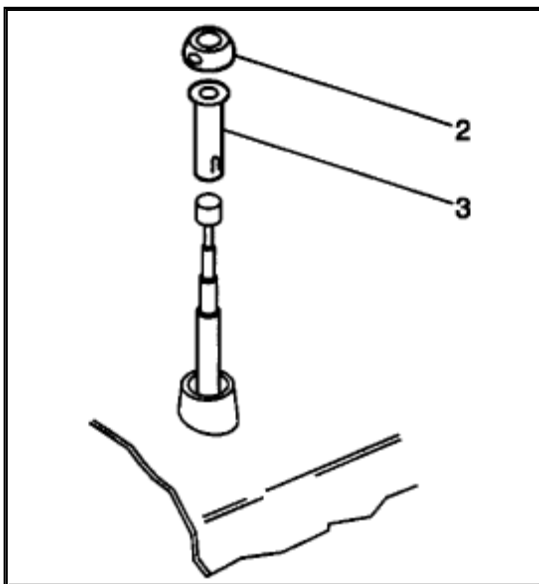




Zoom

Sized for Print

1. Turn the ignition to the ACC or ON position.
2. Turn the [radio](#) ON.
3. Insert the replacement [antenna](#) (mast) plastic cable (5) into the power antenna housing, with the serrated side of the cable facing slightly forward and toward the RH side of the vehicle. When resistance is felt, continue to gently push until the tip of the cable engages in the motor.
4. While guiding the plastic cable into the housing, have an assistant turn the [radio](#) OFF.
5. Quickly align and guide the antenna mast (4) into the power antenna housing.

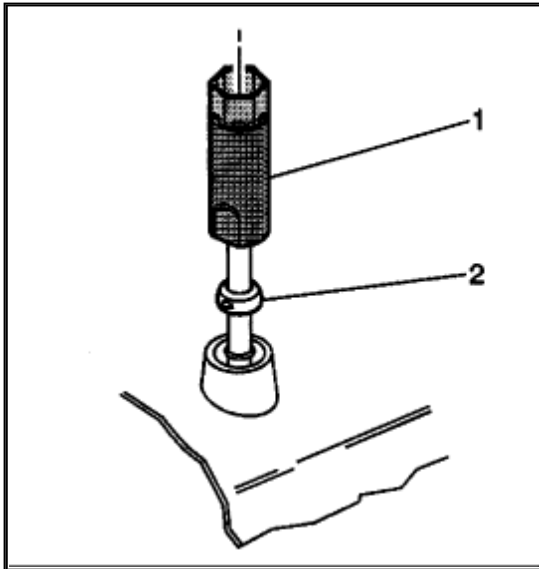


Zoom

Sized for Print

6. Push the contact spring (flared end up) over the antenna mast and into the

- power antenna housing.
7. Install the antenna mast nut (2).

[Zoom](#)[Sized for Print](#)

8. Using the socket (1) provided, tighten the antenna mast nut (2).
9. Turn the [radio](#) ON and OFF, allowing the [antenna](#) to cycle several times; in order to check antenna operation and until the antenna mast fully extends and retracts. (Usually one or two cycles are sufficient to fully extend the mast.)
10. Turn the ignition OFF.