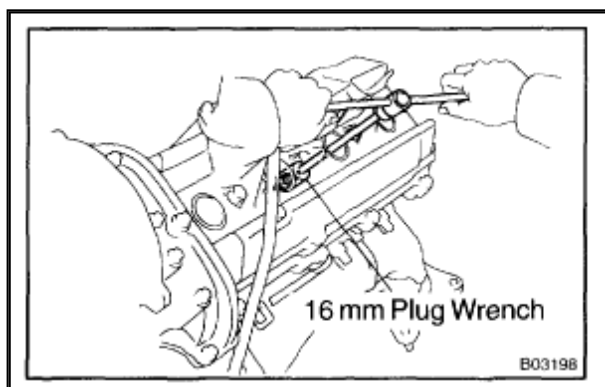


**2004 Toyota Truck Tundra 2WD V8-4.7L (2UZ-FE)**

[Vehicle Level](#) → [Maintenance](#) → [Tune-up and Engine Performance Checks](#) → [Spark Plug](#) → [Testing and Inspection](#) ←

**Testing and Inspection**[Notes](#)**INSPECT SPARK PLUGS**

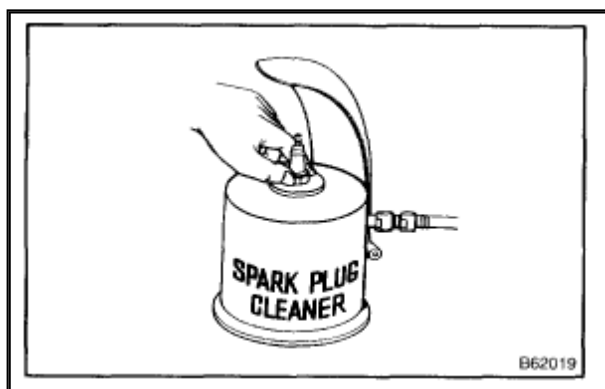
- a. Remove the ignition coils (with igniter).



Zoom

Sized for Print

- b. Using a **16 mm** plug wrench, remove the spark plugs.

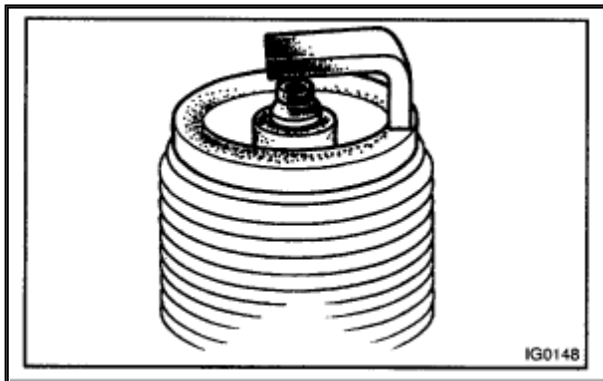


Zoom

Sized for Print

- c. Clean the spark plugs. If the electrode has traces of wet carbon, allow it to dry and then clean with a spark plug cleaner. Air pressure: Below **588 kPa (6 kgf/sq.cm, 85 psi)** Duration: **20 seconds** or less

HINT: If there are traces of oil, remove it with gasoline before using the spark plug cleaner.



Zoom

Sized for Print

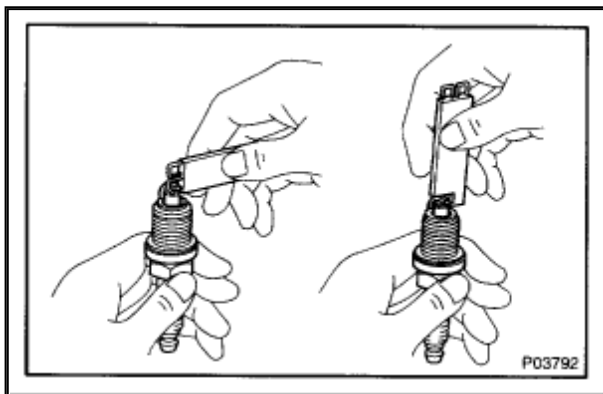
d. Check the spark plug for thread damage and insulator damage.

Recommended spark plug:	
DENSO made	K20R-U
NGK made	BKR6EYA

Zoom

Sized for Print

If abnormal, replace the spark plug.



Zoom

Sized for Print

- e. Adjust the spark plug electrode gap. Electrode gap: **0.8 mm (0.031 in.)**
- f. Using a **16 mm** plug wrench, install the spark plugs. Torque: **17.5 N.m (180 kgf.cm, 13 ft.lbf)**
- g. Reinstall the ignition coils (with igniter).

© 2010 ALLDATA LLC. All rights reserved.  
[Terms of Use](#)