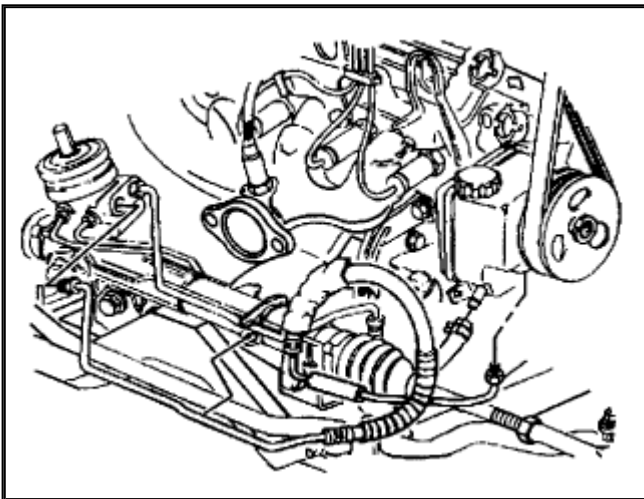


2001 Buick Regal V6-3.8L VIN K

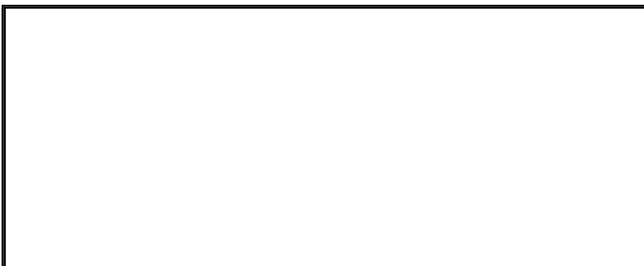
Vehicle Level → [Steering and Suspension](#) → [Steering](#) → [Power Steering Pump](#) → [Service and Repair](#)
→ [Power Steering Pump Replacement](#) ←

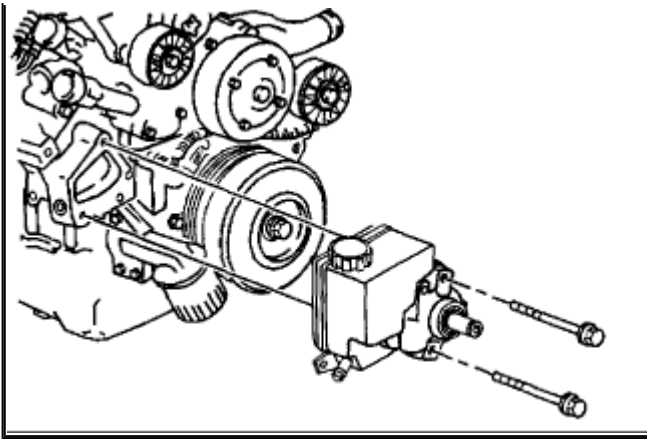
Power Steering Pump Replacement[Notes](#)**Removal Procedure**

Zoom

Sized for Print

1. Place a drain pan under the vehicle.
2. Remove the accessory drive belt. Refer to Drive Belt Replacement in Engine.
3. Raise and support the vehicle. Refer to [Vehicle Lifting](#).
4. Remove the tire and wheel assembly. Refer to Tire and Wheel Removal and Installation.
5. Remove the power steering pressure hose from the power steering pump. Refer to Power Steering Pressure Hose Replacement.
6. Remove the power steering return hose from the power steering pump. Refer to Power Steering Return Hose Replacement .



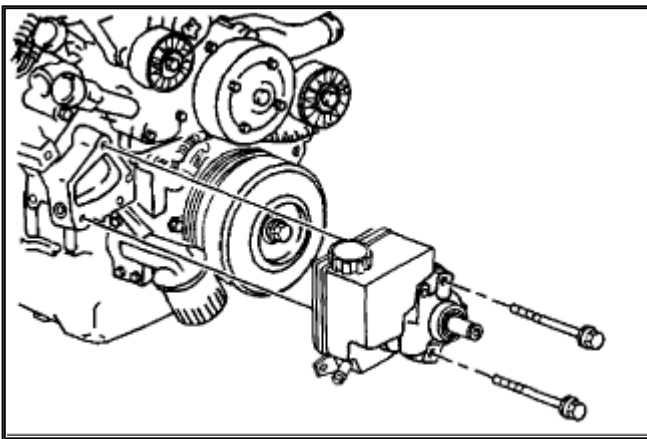


Zoom

Sized for Print

7. Remove the [power steering](#) mounting bolts from the power steering pump.
8. Remove the power steering pump.
9. Remove the power steering pump reservoir from the power steering pump.
10. Transfer the power steering pump pulley. Refer to [Power Steering Pulley Replacement](#)

Installation Procedure

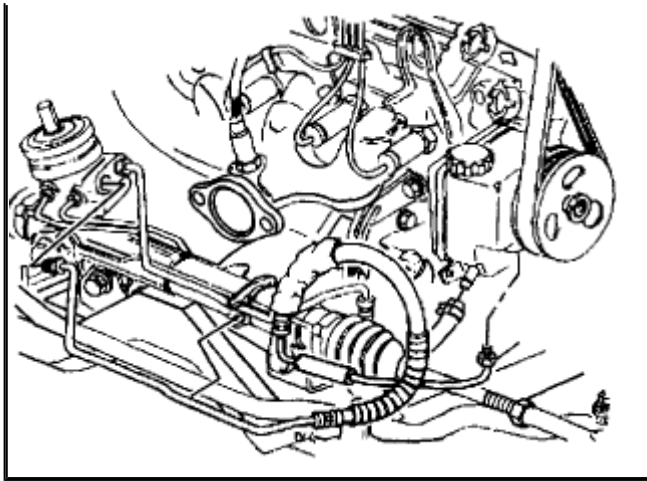


Zoom

Sized for Print

1. Install the power steering pump reservoir to the power steering pump.
2. Position the power steering pump to the engine. **Notice:** Refer to Fastener Notice in Service Precautions.
3. Install the power steering pump mounting bolts.
 - Tighten the mounting bolts to **34 Nm (25 ft. lbs.)** .



[Zoom](#)[Sized for Print](#)

4. Install the power steering pressure hose to the power steering pump. Refer to Power Steering Pressure Hose Replacement.
5. Install the power steering return hose to the power steering pump. Refer to Power Steering Return Hose Replacement .
6. Install the accessory drive belt. Refer to Drive Belt Replacement in Engine.
7. Fill the [power steering](#) system with fluid. Refer to Checking and Adding [Power Steering Fluid](#).
8. Bleed the [power steering](#) system. Refer to Bleeding the Power Steering System.
9. Inspect the [power steering](#) system for leaks. Refer to [Power Steering Fluid Leaks](#).
10. Remove the drain pan from under the vehicle.