

2003 GMC Truck C 1500 Truck 2WD V8-6.0L VIN U

Vehicle Level → Instrument Panel, Gauges and Warning Indicators → Instrument Cluster / Carrier → Service and Repair → Instrument Panel Cluster ←

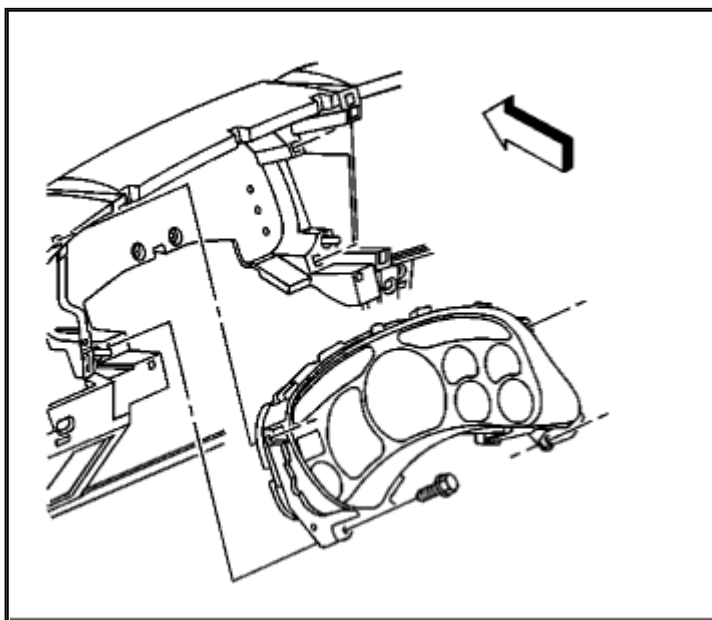
Instrument Panel Cluster

[Notes](#)

INSTRUMENT PANEL CLUSTER (IPC) REPLACEMENT

REMOVAL PROCEDURE

1. Remove the instrument panel (I/P) cluster trim plate bezel.

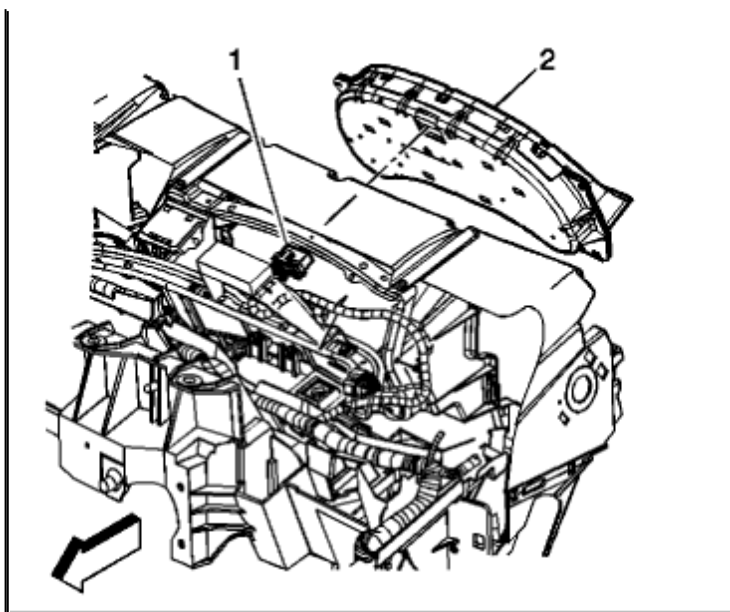


Zoom

Sized for Print

2. Remove the screws that retain the I/P cluster to the I/P assembly.



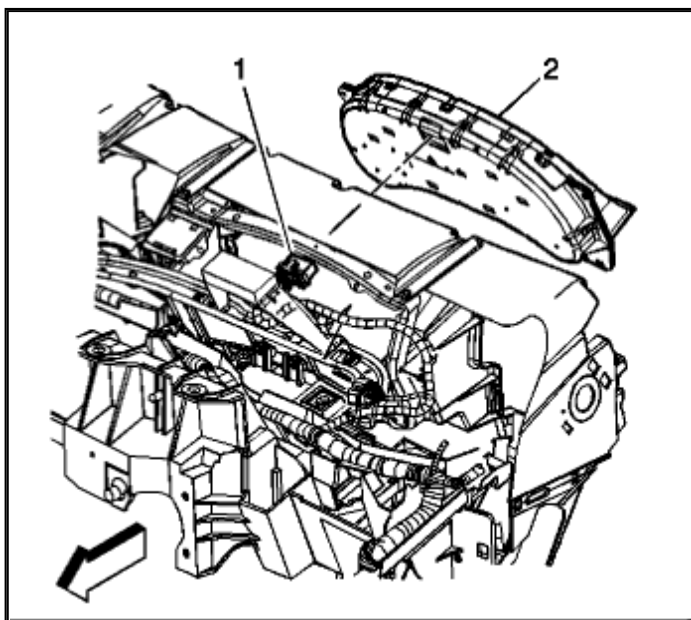


Zoom

Sized for Print

3. Remove the I/P cluster (2) from the vehicle by tilting the bottom of the cluster outward.
4. Disconnect the I/P cluster harness (1) from the I/P cluster.

INSTALLATION PROCEDURE

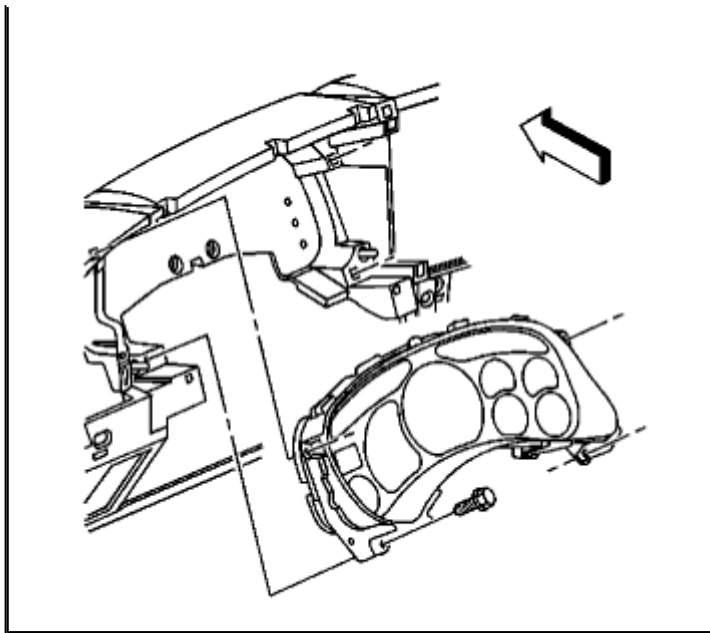


Zoom

Sized for Print

1. Connect the I/P cluster harness (1) to the I/P cluster (2).



[Zoom](#)[Sized for Print](#)

2. Install the I/P cluster onto the I/P with the screws. Tilt the top of the cluster into the retainer first to avoid damaging the flexible circuit connections.
3. Install the screws that retain the I/P cluster to the I/P assembly. **NOTE:** Refer to Fastener Notice in Service Precautions. **Tighten** Tighten the screws to **2 N.m (18 lb in)** .
4. Install the I/P cluster trim plate bezel. When the IPC is replaced, the new IPC will need to be programmed. [See: Testing and Inspection\Programming and Relearning\Service Programming System \(SPS\)](#)