

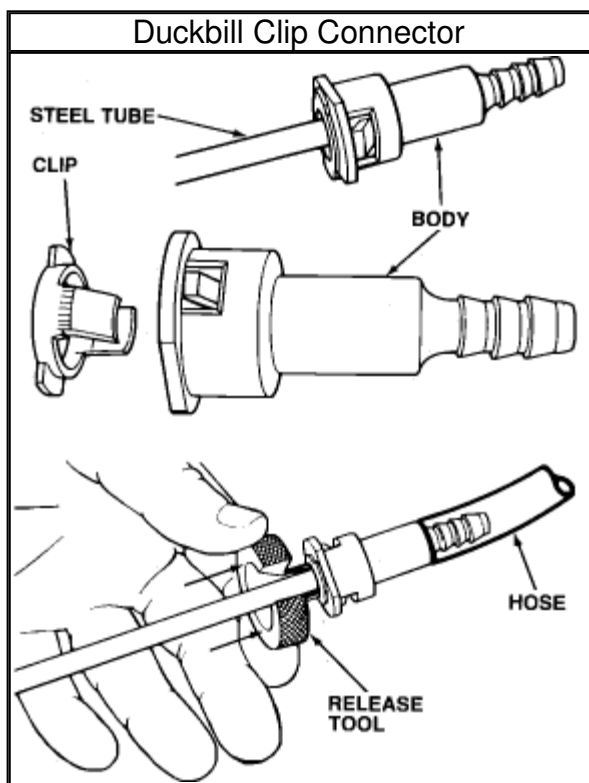
1994 Ford Truck Bronco Full Size V8-351 5.8L

Vehicle Level → Powertrain Management → Fuel Delivery and Air Induction → Fuel Line Coupler → Service and Repair → Duck Bill Connector ←

Duck Bill Connector

[Notes](#)

REMOVAL

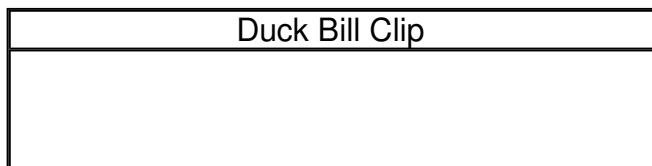


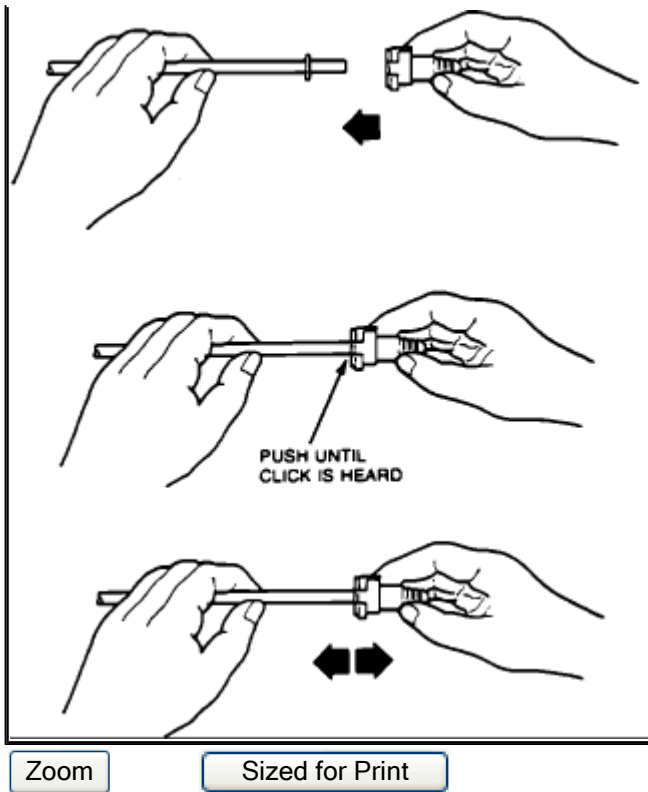
Zoom

Sized for Print

1. To remove duckbill, use special tool shown, or pliers with thin jaws, to release the clip.
2. Pull the connector apart gently.

INSTALLATION





1. Install fitting onto tube and push fitting onto tube end until a "click" is heard.
2. Pull on fitting to ensure it is fully engaged.