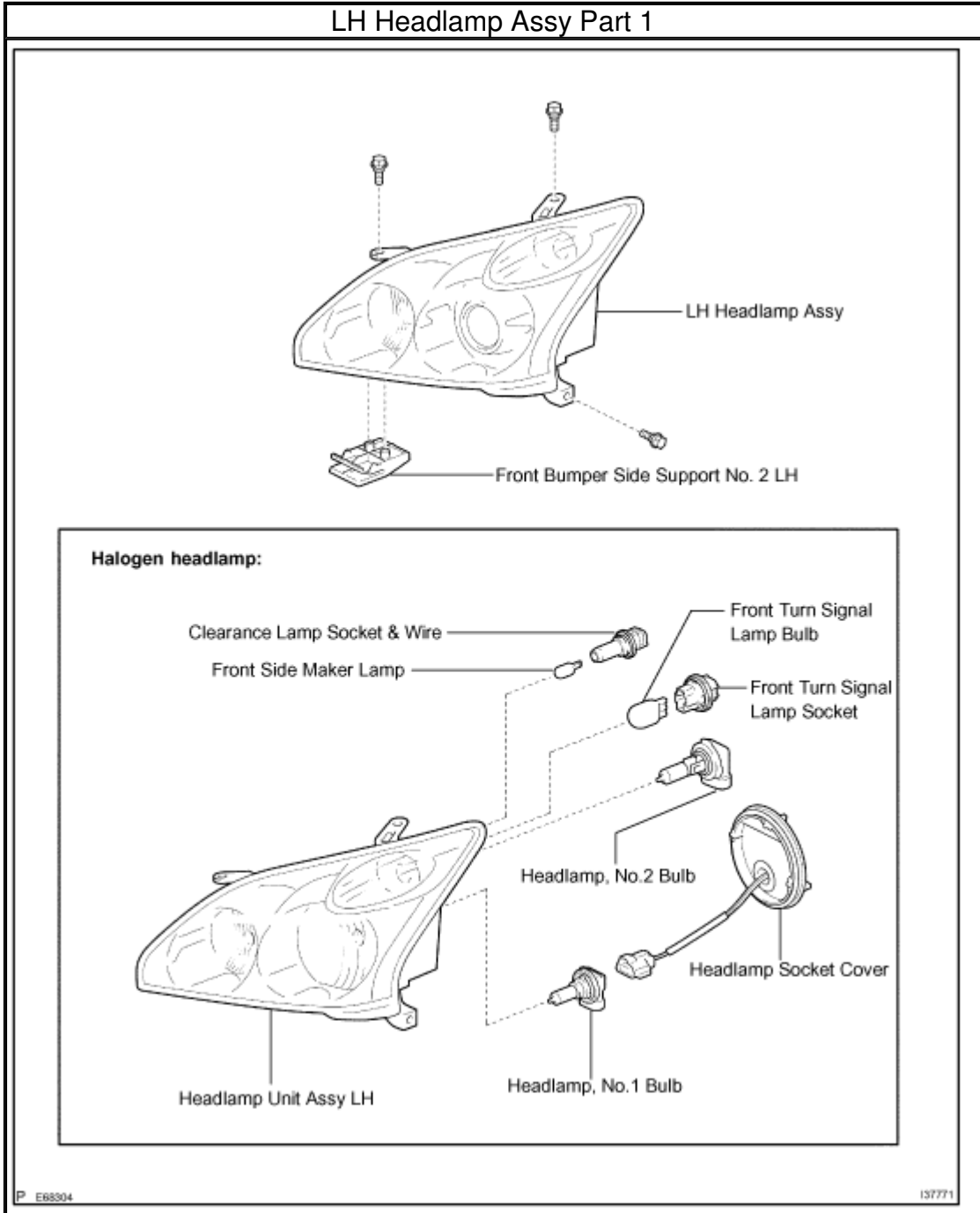


2005 Lexus Truck RX 330 FWD V6-3.3L (3MZ-FE)

Vehicle Level → Lighting and Horns → Headlamp → Service and Repair → Headlight Assembly ←

### Headlight Assembly

[Notes](#)

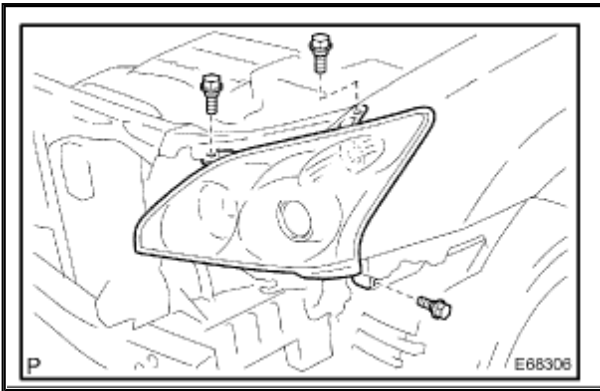


[Zoom](#)[Sized for Print](#)

## OVERHAUL

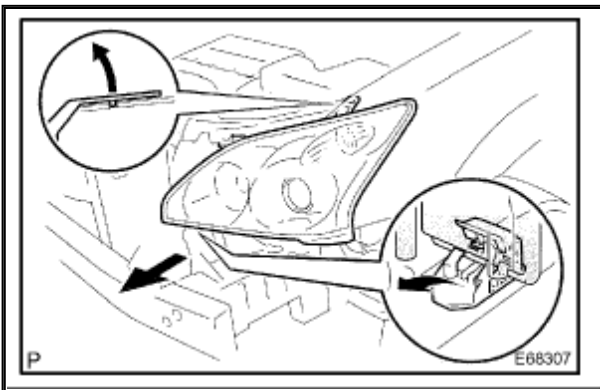
### HINT:

1. REMOVE ENGINE UNDER COVER NO.1
2. REMOVE FRONT FENDER SPLASH SHIELD SUB-ASSEMBLY LH
3. REMOVE FRONT FENDER SPLASH SHIELD SUB-ASSEMBLY RH
4. REMOVE FRONT BUMPER COVER

[Zoom](#)[Sized for Print](#)

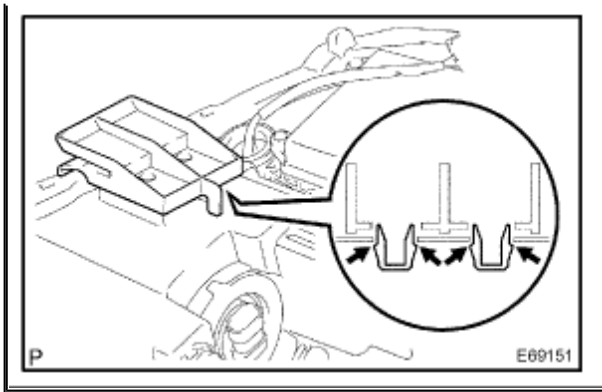
5. REMOVE LH HEADLAMP ASSEMBLY

- a. Remove the 3 screws.

[Zoom](#)[Sized for Print](#)

- b. Pull out the LH headlamp assembly forward, then release the headlamp bracket.
- c. Disconnect the connectors and remove the LH headlamp assembly.



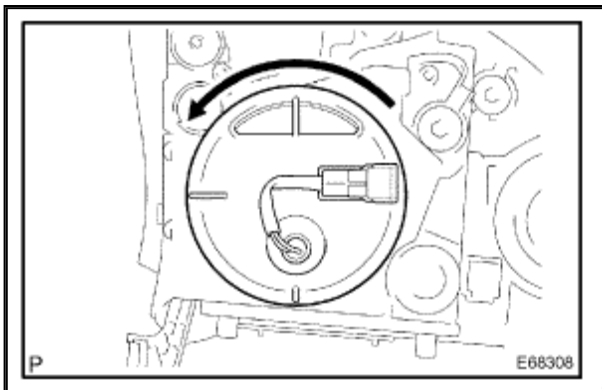


Zoom

Sized for Print

- d. Using a needle nose plier, release the 2 claw fittings and remove the front bumper side support No.2 from the LH headlamp assembly.

#### 6. REMOVE FRONT BUMPER SIDE SUPPORT NO.2 LH

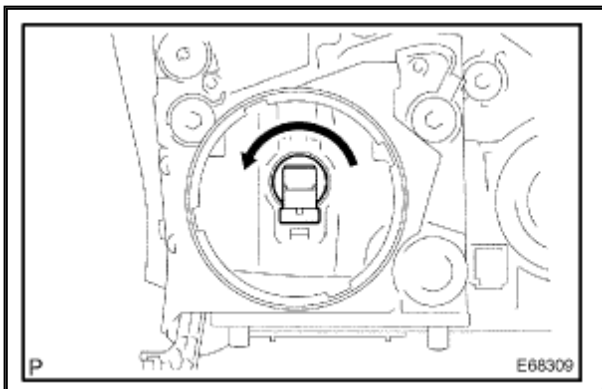


Zoom

Sized for Print

#### 7. REMOVE HEADLAMP SOCKET COVER

- a. Disconnect the headlamp socket cover as shown in the illustration.
- b. Remove the headlamp socket cover from the headlamp cord.

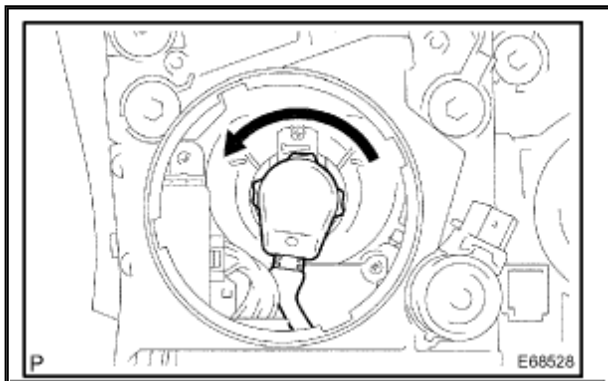


Zoom

Sized for Print

## 8. REMOVE HEADLAMP, NO.1 BULB

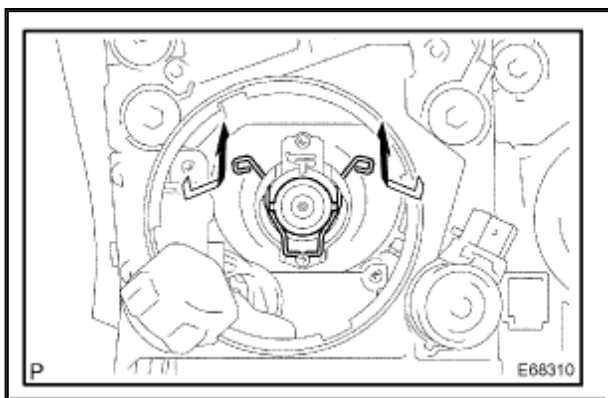
- a. Halogen headlamp: Remove the headlamp, No. 1 bulb as shown in the illustration.



Zoom

Sized for Print

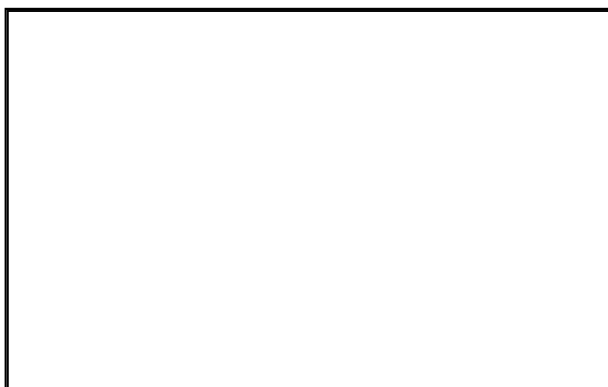
- b. Discharge headlamp: Remove the headlamp, No. 1 bulb as shown in the illustration.

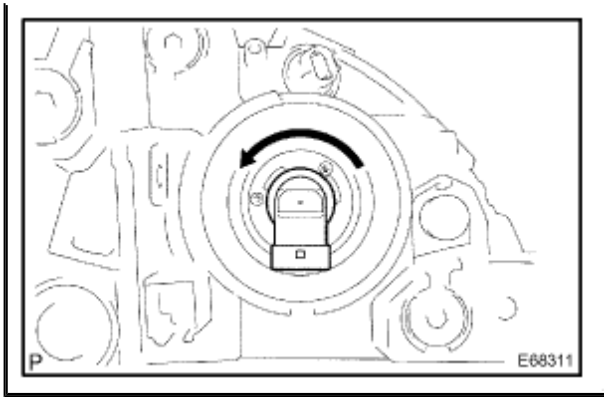


Zoom

Sized for Print

- c. Discharge headlamp: Release the lock of the set spring and remove the headlamp, No.1 bulb.



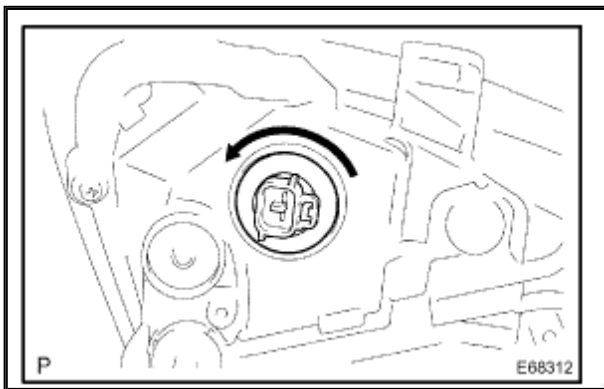


Zoom

Sized for Print

9. REMOVE HEADLAMP, NO.2 BULB

- a. Remove the headlamp, No.2 bulb as shown in the illustration.



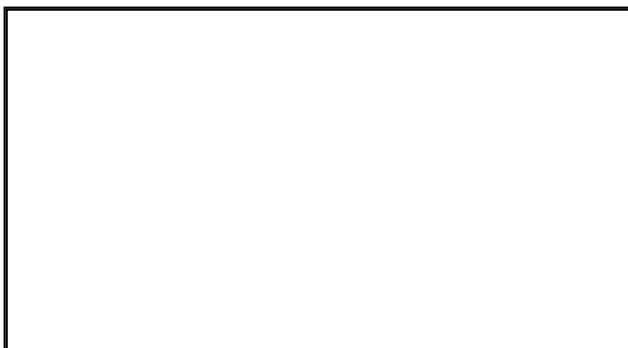
Zoom

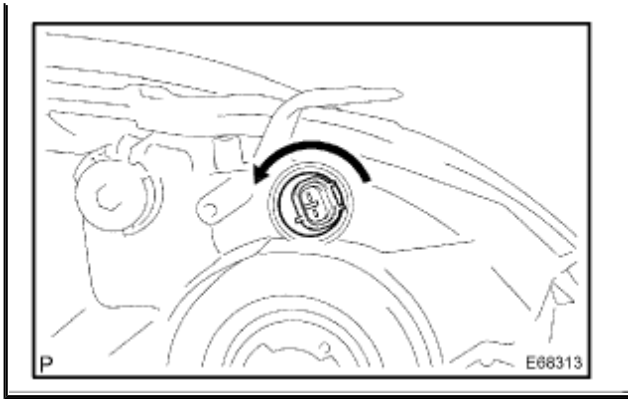
Sized for Print

10. REMOVE FRONT TURN SIGNAL LAMP BULB

- a. Remove the front turn signal lamp bulb, the front turn signal lamp socket as shown in the illustration.
- b. Remove the turn signal lamp bulb from the front turn signal lamp socket.

11. REMOVE FRONT TURN SIGNAL LAMP SOCKET





Zoom

Sized for Print

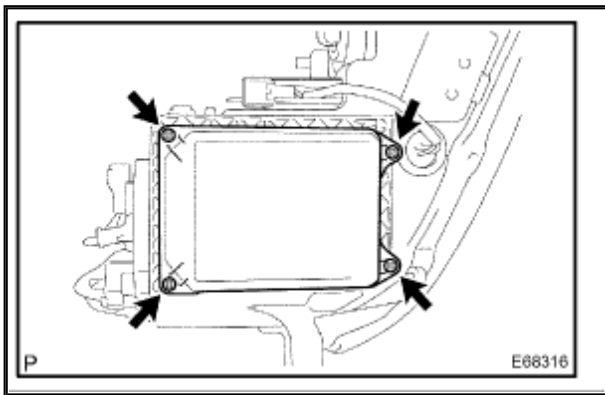
12. REMOVE FRONT SIDE MAKER LAMP BULB

- a. Remove the front side maker lamp bulb, the socket as shown in the illustration.
- b. Remove the front side maker lamp bulb from the socket.

13. REMOVE CLEARANCE LAMP SOCKET & WIRE (HALOGEN HEAD LAMP)

14. REMOVE CLEARANCE LAMP SOCKET (DISCHARGE HEAD LAMP)

15. REMOVE CLEARANCE LAMP SOCKET & WIRE (DISCHARGE+AFS HEAD LAMP)



Zoom

Sized for Print

16. REMOVE HEADLAMP COVER NO.1 (DISCHARGE HEAD LAMP)

- a. Remove the 4 screws and the headlamp cover No. 1.

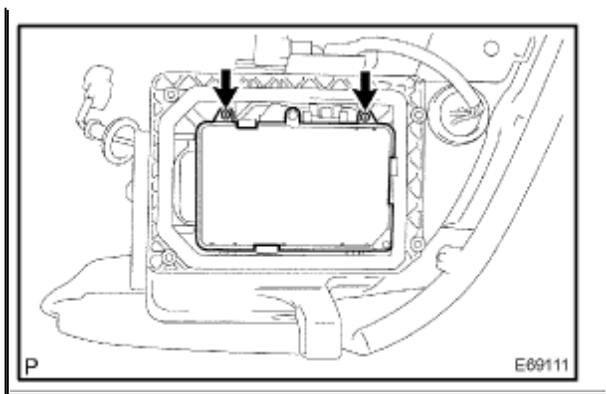
17. REMOVE HEADLAMP COVER NO.1 (DISCHARGE+AFS HEAD LAMP)

**HINT:** Following the same procedure as for the headlamp cover No.1 (discharge head lamp).

18. REMOVE HEADLAMP GASKET (DISCHARGE HEAD LAMP)

19. REMOVE HEADLAMP GASKET (DISCHARGE+AFS HEAD LAMP)



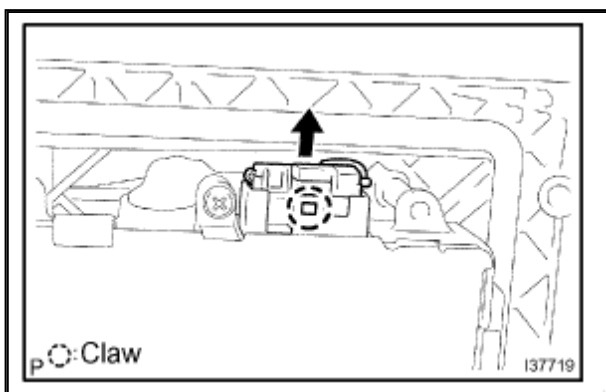


Zoom

Sized for Print

20. REMOVE SUB-ASSEMBLY HEADLAMP LIGHT CONTROL ECU RH (DISCHARGE HEAD LAMP)

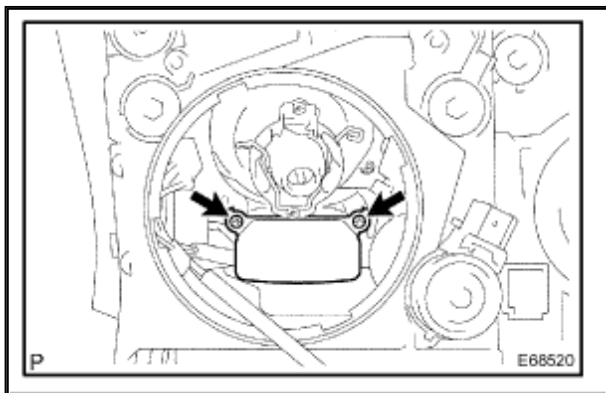
- a. Remove the 2 screws and disconnect the sub-assembly headlamp light control ECU RH.



Zoom

Sized for Print

- b. Release the claw fitting, disconnect the connector and remove the sub-assembly headlamp light control ECU RH.

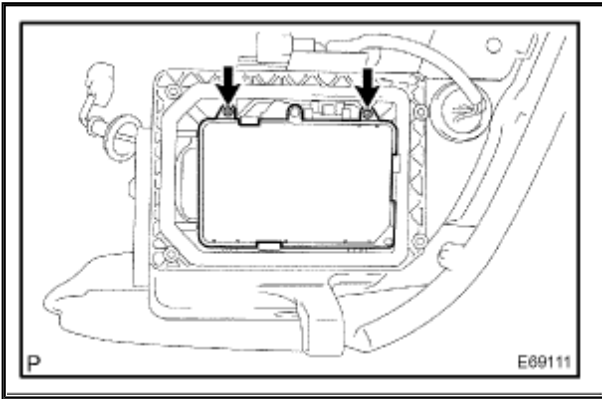


Zoom

Sized for Print

21. REMOVE SUB-ASSEMBLY HEADLAMP LIGHT CONTROL ECU RH (DISCHARGE+AFS HEAD LAMP)

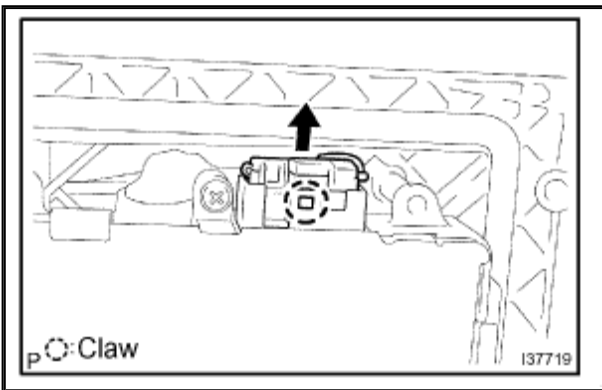
- a. Remove the 2 screws and the cover.



Zoom

Sized for Print

- b. Remove the 2 screws and disconnect the sub-assembly headlamp light control ECU RH.



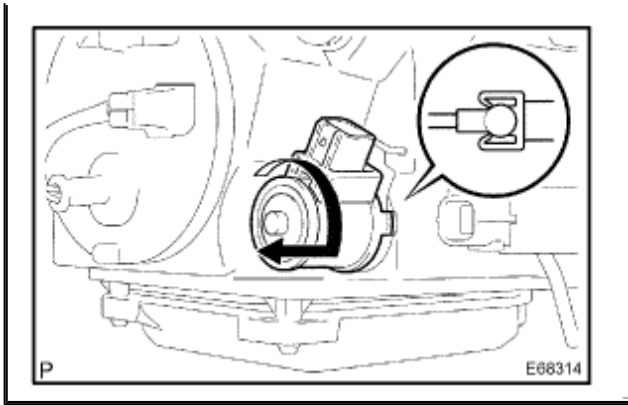
Zoom

Sized for Print

- c. Release the claw fitting, disconnect the connector and remove the sub-assembly headlamp light control ECU RH.
- d. Remove the sub-assembly headlamp light control ECU RH from the cover.

- 22. REMOVE HEADLAMP LENS RH (DISCHARGE+AFS HEAD LAMP)
- 23. REMOVE HEADLAMP CORD (DISCHARGE HEAD LAMP)
- 24. REMOVE HEADLAMP CORD (DISCHARGE+AFS HEAD LAMP)

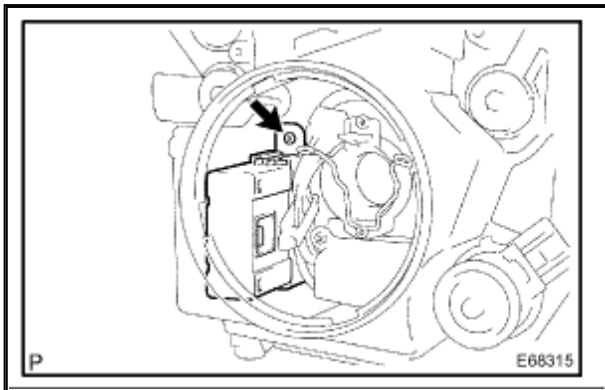




Zoom

Sized for Print

25. REMOVE HEADLAMP LEVELING MOTOR LH (DISCHARGE HEAD LAMP)
  - a. Remove the headlamp leveling motor LH as shown in the illustration.
26. REMOVE HEADLAMP LEVELING MOTOR LH (DISCHARGE+AFS HEAD LAMP) **HINT:** Following the same procedure as for the headlamp leveling motor LH (discharge head lamp).
27. REMOVE HEADLAMP LEVELING MOTOR BASE PACKING (DISCHARGE HEAD LAMP)
28. REMOVE HEADLAMP LEVELING MOTOR BASE PACKING (DISCHARGE+AFS HEAD LAMP)

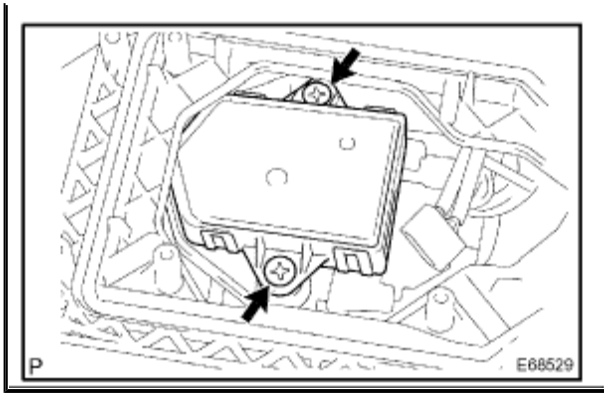


Zoom

Sized for Print

29. REMOVE HEADLAMP SWIVEL ECU SUB-ASSEMBLY LH (DISCHARGE+AFS HEAD LAMP)
  - a. Disconnect the connector.
  - b. Remove the screw and the headlamp swivel ECU sub-assembly LH.





Zoom

Sized for Print

30. REMOVE LIGHT REFLECTOR MOTOR LH (DISCHARGE+AFS HEAD LAMP)
  - a. Disconnect the connector.
  - b. Remove the 2 screws and the light reflector motor LH.
31. REMOVE HEADLAMP UNIT LH (HALOGEN HEAD LAMP)
32. REMOVE HEADLAMP UNIT LH (DISCHARGE HEAD LAMP)
33. REMOVE HEADLAMP UNIT LH (DISCHARGE+AFS HEAD LAMP)
34. INSTALL FRONT BUMPER COVER
35. INSTALL FRONT FENDER SPLASH SHIELD SUB-ASSEMBLY LH
36. INSTALL FRONT FENDER SPLASH SHIELD SUB-ASSEMBLY RH
37. HEADLIGHT AIM ONLY