

[Home](#) | [Account](#) | [Contact ALLDATA](#) | [Log Out](#) | [Help](#)

PAUL REDEHOFT

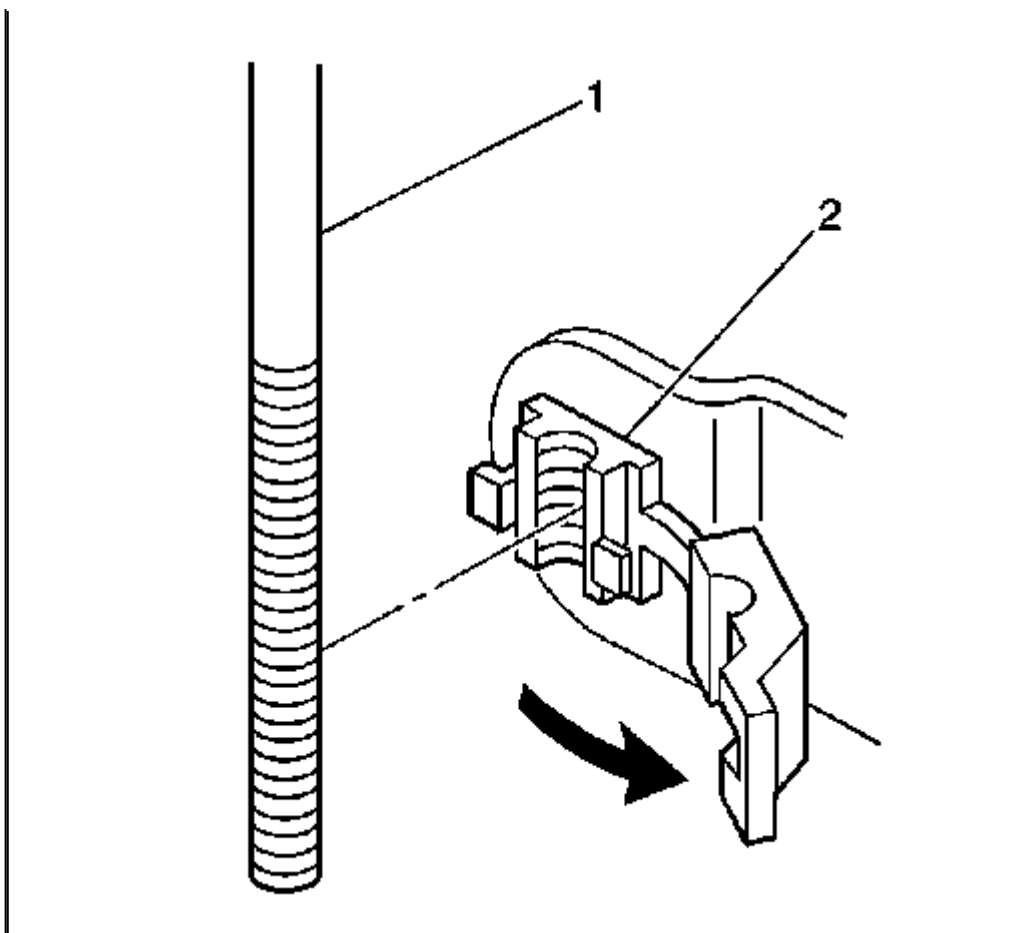
[Select Vehicle](#) | [New TSBs](#) | [Technician's Reference](#) Component Search:

OK

 Conversion Calculator**2005 Cadillac STS V6-3.6L VIN 7**[Vehicle Level](#) → [Body and Frame](#) → [Doors, Hood and Trunk](#) → [Front Door Exterior Handle](#) → [Service and Repair](#) ←**Service and Repair**[Notes](#)**Door Handle Replacement - Front Outside****Removal Procedure**

1. Place window in the full up position.
2. Remove the door [trim panel](#). Refer to [Trim Panel Replacement - Side Front Door](#) (See: [Front Door Panel\Service and Repair\Front Door Panel Replacement](#)) .
3. Remove the rear push in retainer on the water deflector.
4. Peel water deflector away from door panel far enough to access the outside door handle. Refer to [Water Deflector, Check Link Replacement - Front Door](#) (See: [Front Door Panel\Service and Repair\Front Door Panel Components](#)) .

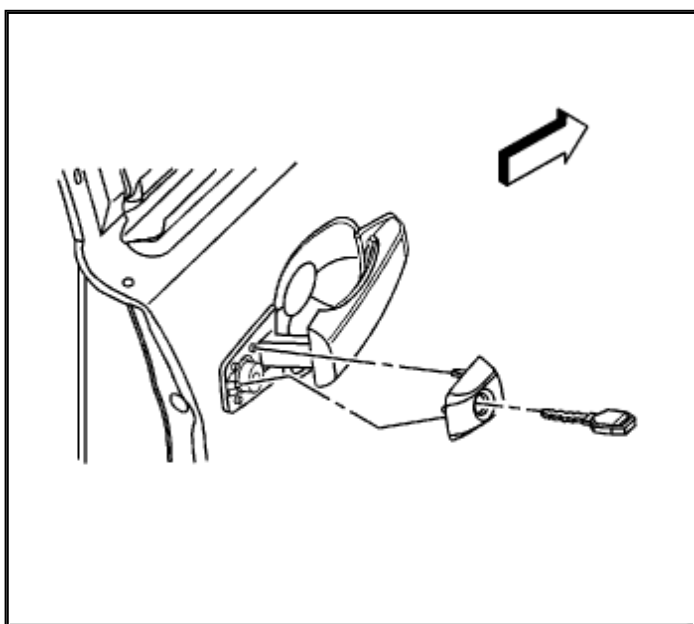




Zoom

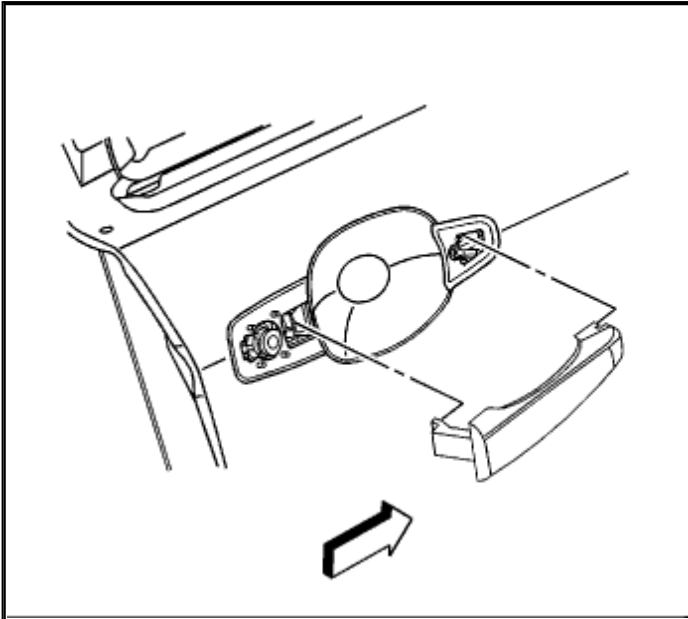
Sized for Print

- 5. Disconnect the outside door handle rod (1) by opening the retainer (2) at the door latch.

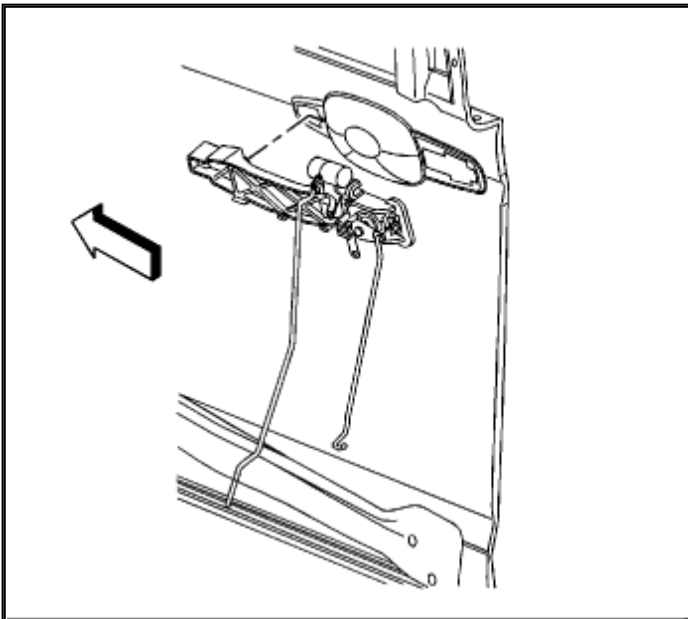


[Zoom](#)[Sized for Print](#)

6. Remove the outside door handle cap screw access plug from the door.
7. Remove the screw securing the outside door handle cap.
8. Open the door handle slightly then remove the cap.

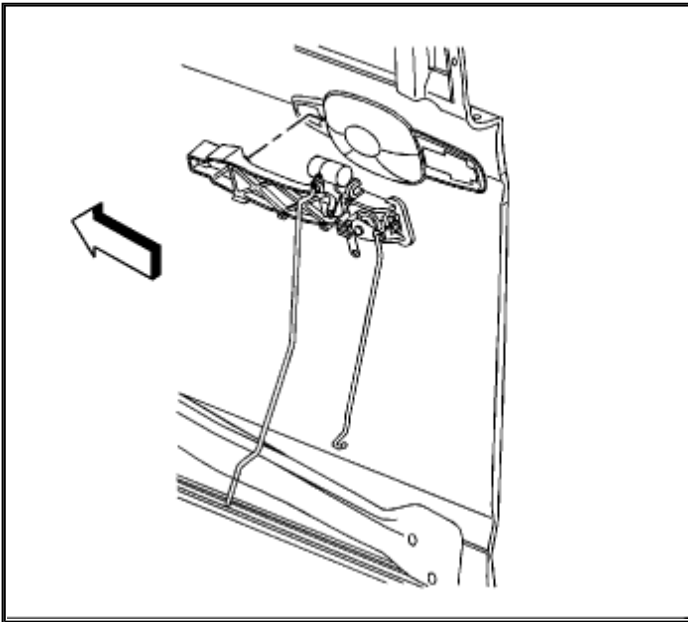
[Zoom](#)[Sized for Print](#)

9. Raise the outside door handle counterbalance weight and remove the outside door handle by rocking outboard and sliding rearward.
10. Remove the gaskets.

[Zoom](#)[Sized for Print](#)

11. Remove the outside door handle bracket by sliding rearward.
12. Remove the handle rod from the outside door handle bracket.

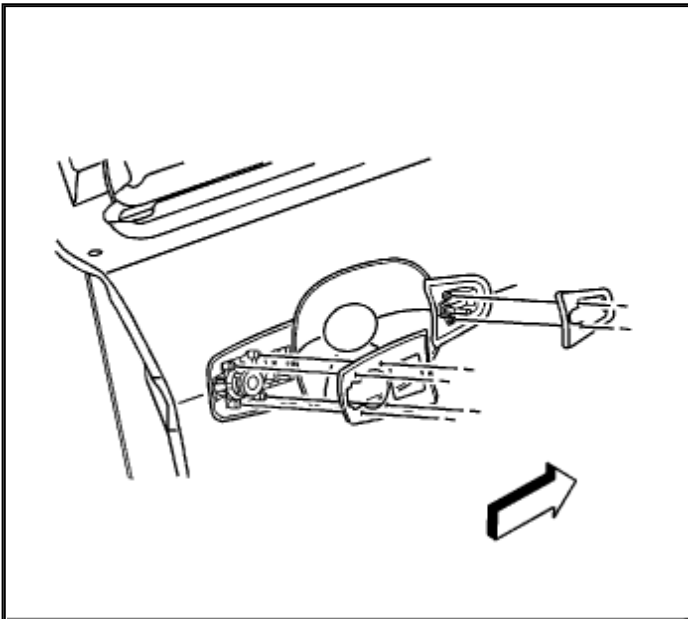
### Installation Procedure



Zoom

Sized for Print

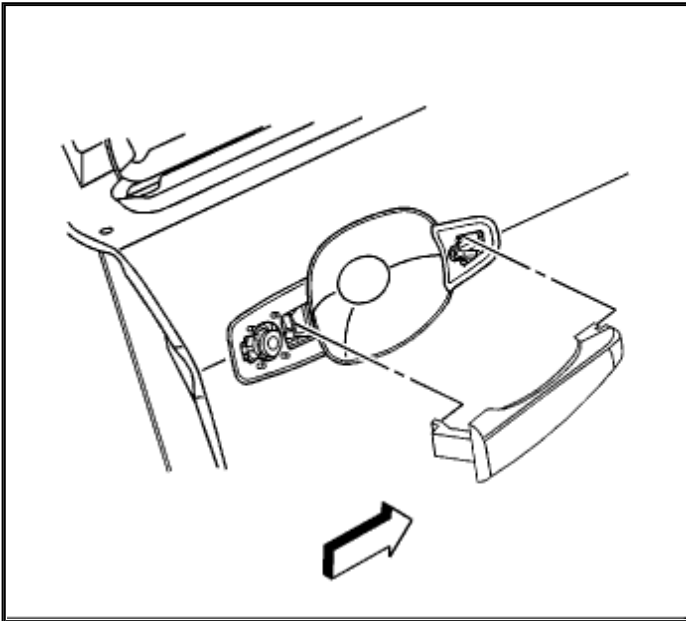
1. Install the handle rod to the outside door handle bracket.
2. Install the outside door handle bracket by inserting into opening and sliding forward.



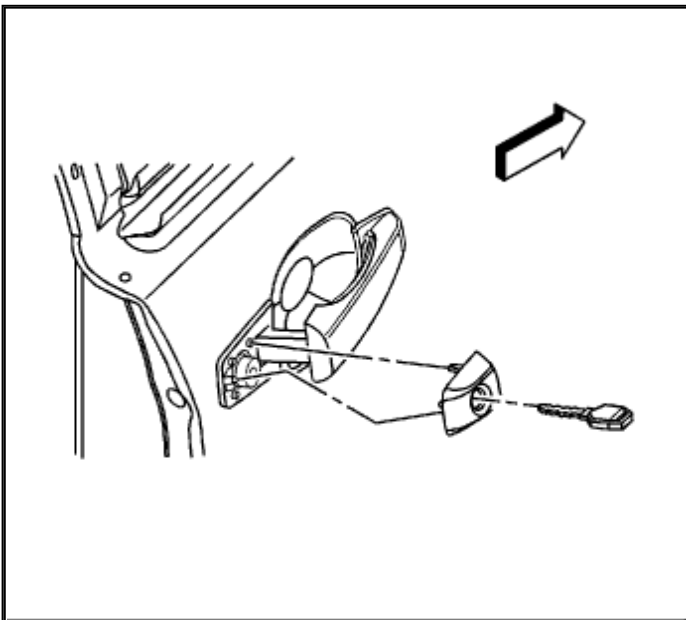
Zoom

Sized for Print

3. Install the gaskets.

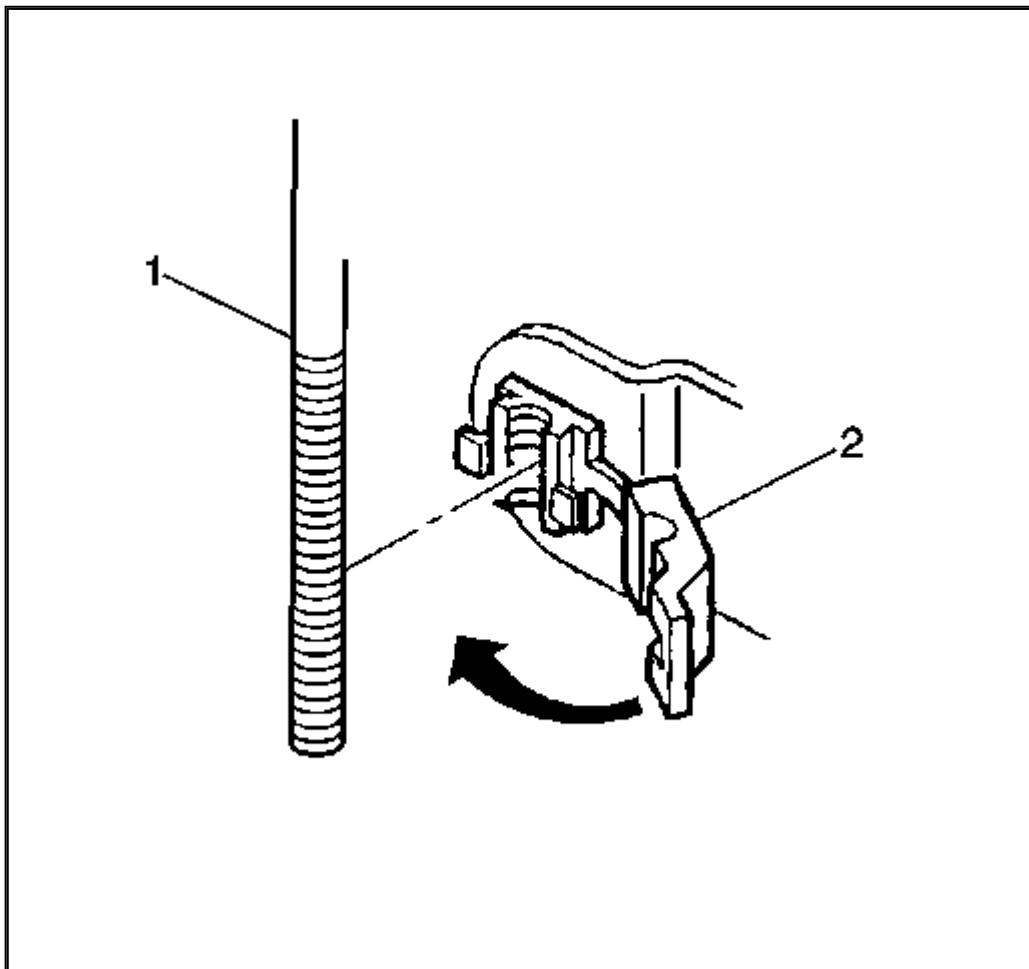
[Zoom](#)[Sized for Print](#)

4. Raise the outside door handle counterbalance weight and install the outside door handle by rocking outboard and inserting into bracket then sliding rearward.

[Zoom](#)[Sized for Print](#)

5. Open the door handle slightly then install the cap.
6. Install the screw securing the outside door handle cap.

7. Install the outside door handle cap screw access plug to the door.

[Zoom](#)[Sized for Print](#)

8. Connect the door handle rod to the latch.
  1. Insert the rod (1) into the clip (2) on the door latch assembly.
  2. Close the clip. **Important: Inspect for the proper operation of the door handle and lock cylinder before installing the water deflector and the door [trim panel](#).**
9. Install the water deflector. Refer to Water Deflector, Check Link Replacement - Front Door ([See: Front Door Panel\Service and Repair\Front Door Panel Components](#)) .
10. Install the door [trim panel](#). Refer to Trim Panel Replacement - Side Front Door ([See: Front Door Panel\Service and Repair\Front Door Panel Replacement](#)) .

[Terms of Use](#)