

**2005 Cadillac STS V6-3.6L VIN 7**

Vehicle Level → Body and Frame → Doors, Hood and Trunk → Front Door Panel → Service and Repair  
→ Front Door Panel Replacement ←

### Front Door Panel Replacement

[Notes](#)

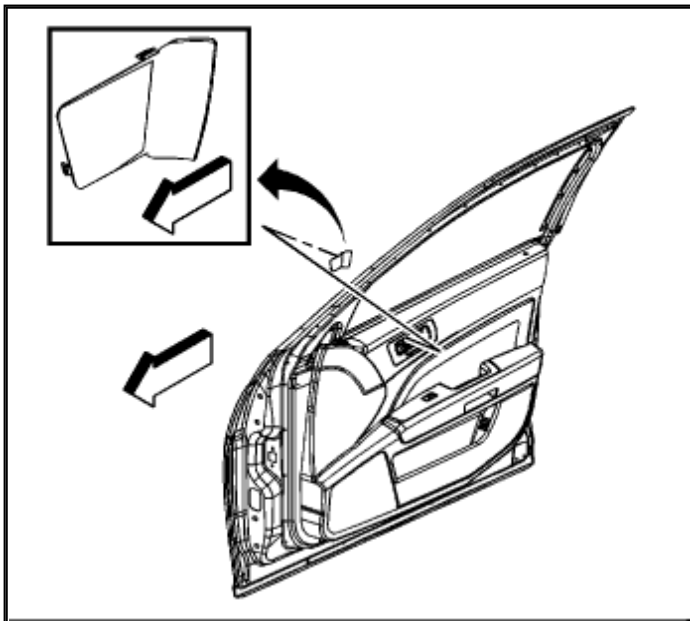
#### [Trim Panel Replacement - Side Front Door](#)

#### Tools Required

J 36796 Clip Zip Clip Removal Tool

#### Removal Procedure

1. Lower the window.



Zoom

Sized for Print

2. Remove the door bezel trim cover.

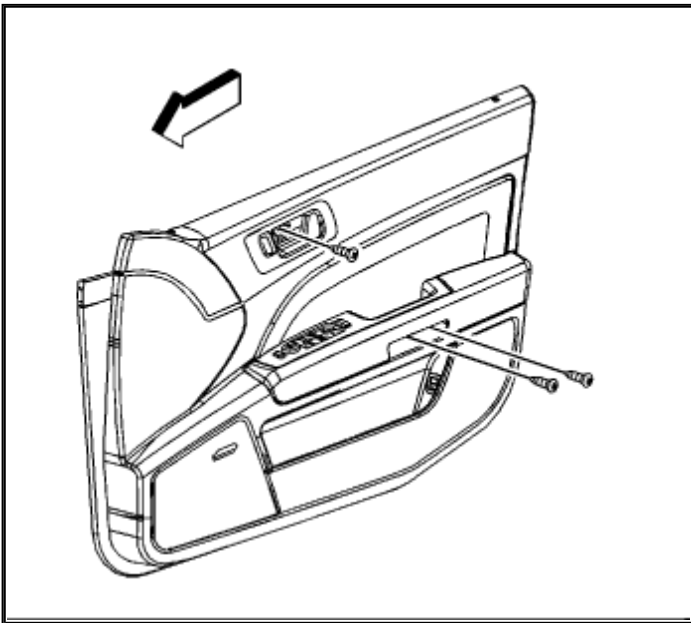




Zoom

Sized for Print

3. Insert a flat-bladed tool at the bottom of the trim cover flap and pry up to access the screws.

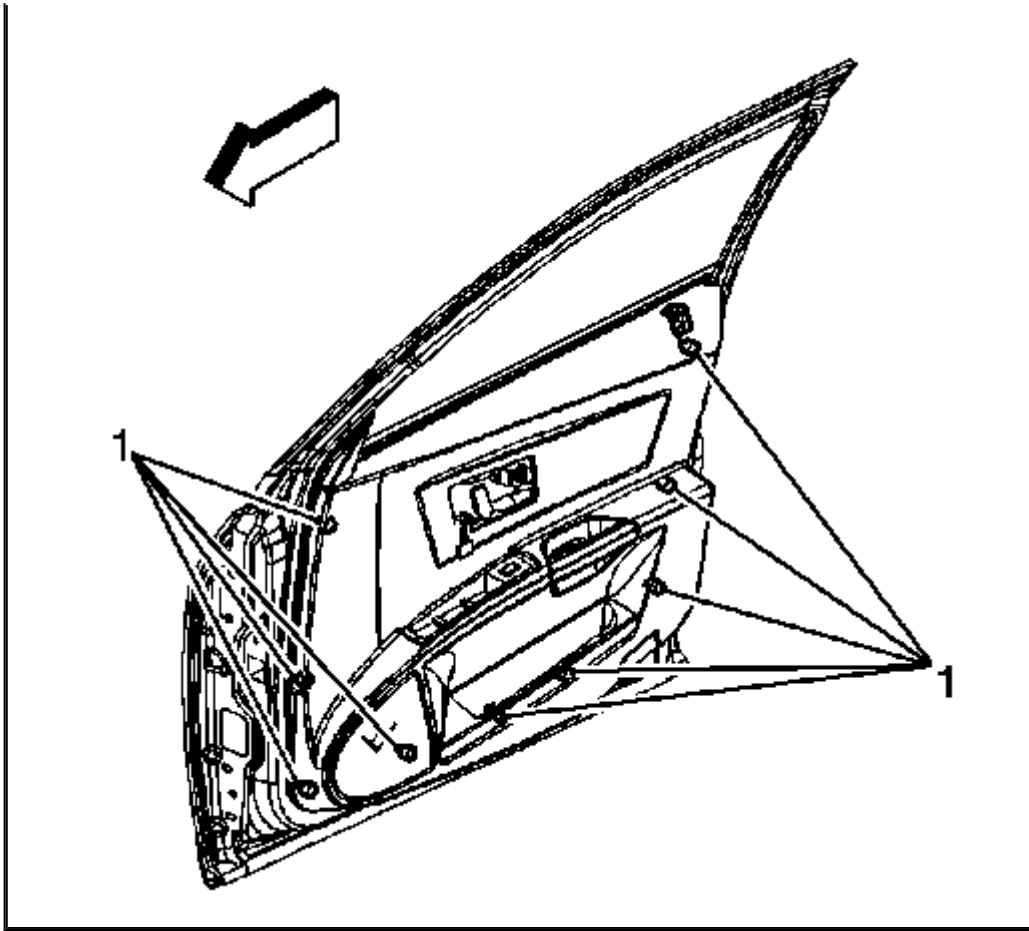


Zoom

Sized for Print

4. Remove the door [trim panel](#) screws.





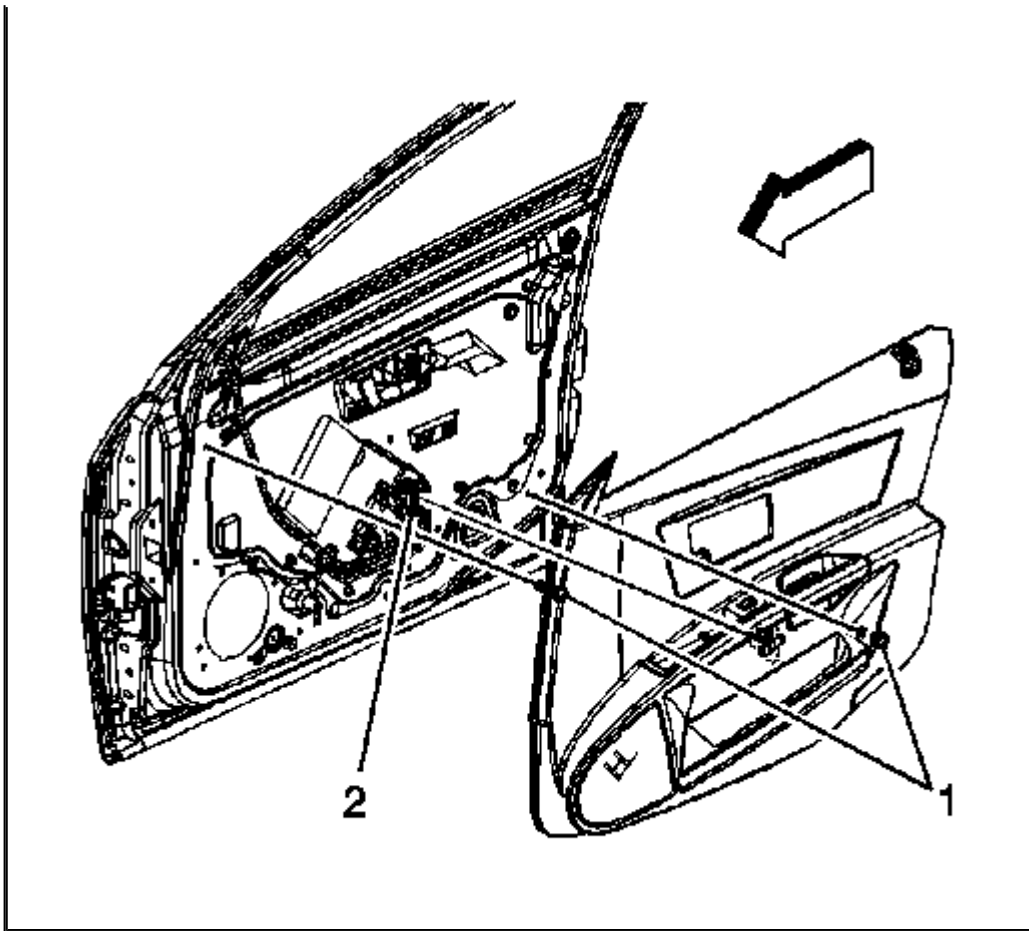
Zoom

Sized for Print

5. Use the J 36796 to release the retainers (1) from around the outside edges of the door [trim panel](#).
6. Slide the door [trim panel](#) upwards to release it from the door.
7. Disconnect the door handle cables.

### Installation Procedure



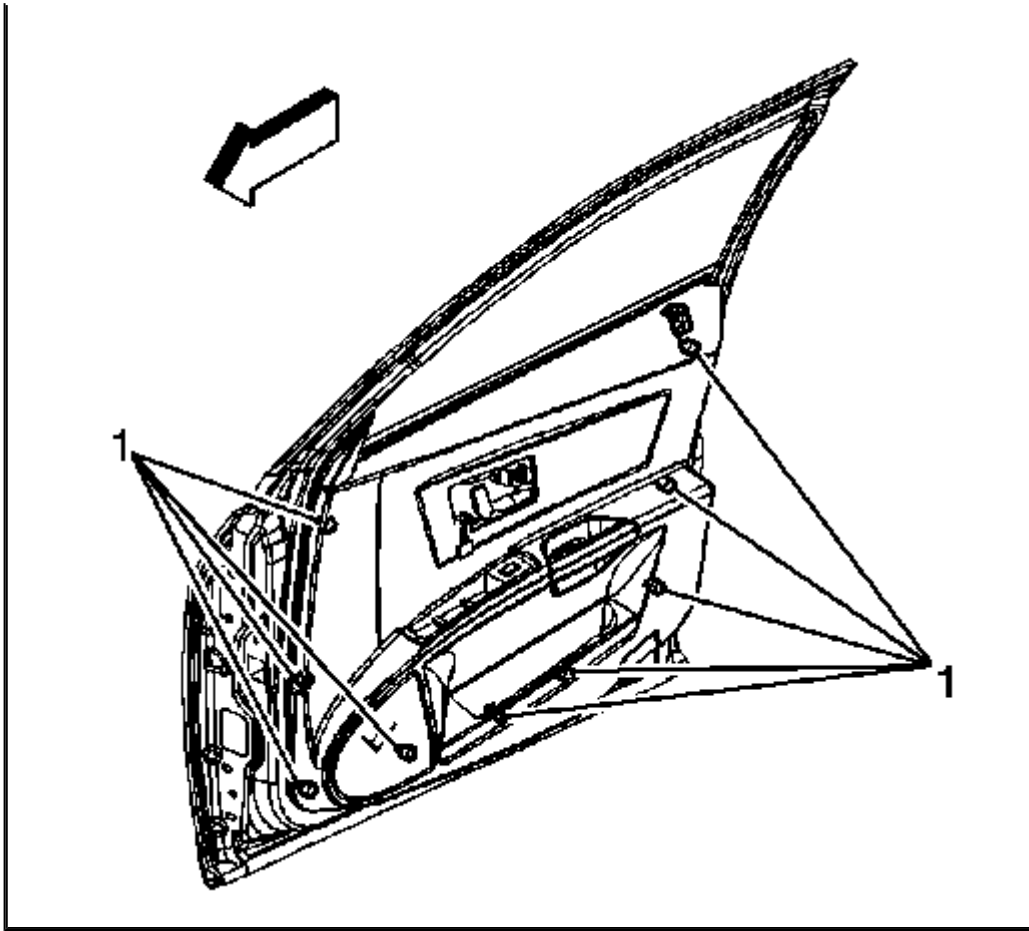


Zoom

Sized for Print

1. Slide the electrical connector (2) into position on the water deflector.
2. Connect the door handle cables.
3. Align the alignment datums (1) and the electrical connector with the door.

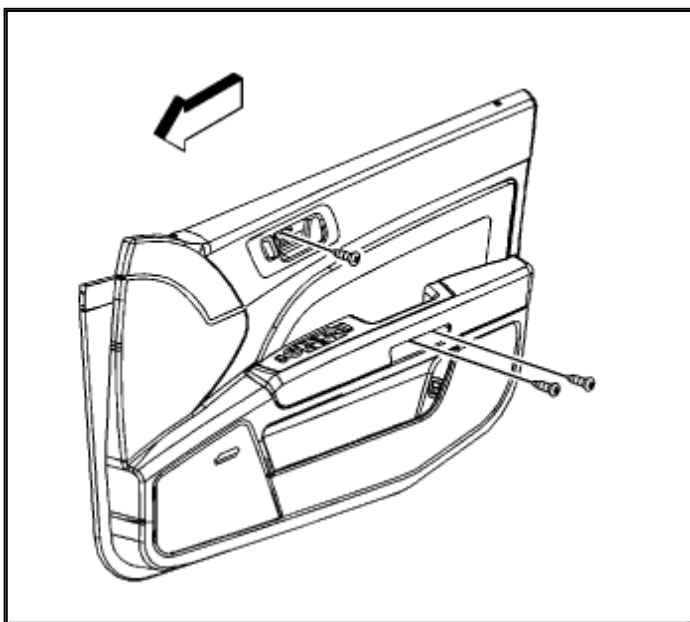




Zoom

Sized for Print

4. Install the door [trim panel](#) by applying pressure around the door trim panel to secure the retainers (1) to the door.

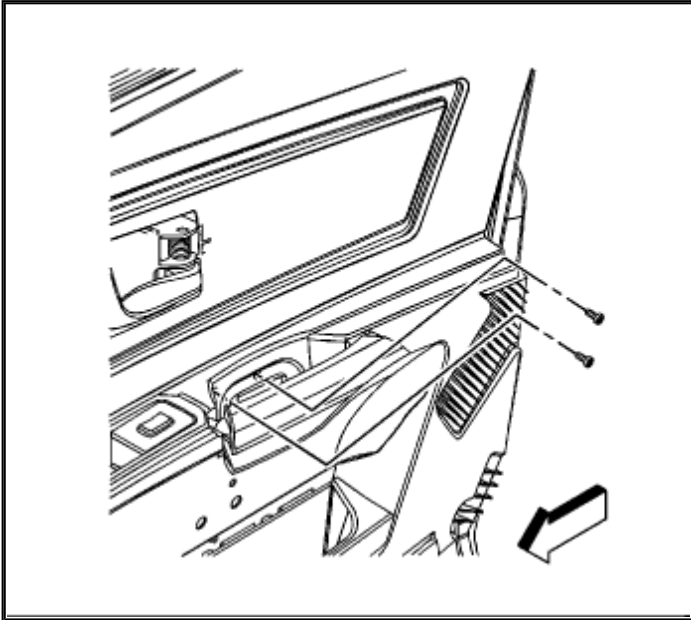


Zoom

Sized for Print

**Notice:** Refer to Fastener Notice in Cautions and Notices.

5. Install the door [trim panel](#) screws. **Tighten the screws to 1 N.m (9 lb in).**



Zoom

Sized for Print

6. Fold the trim cover flap down.