

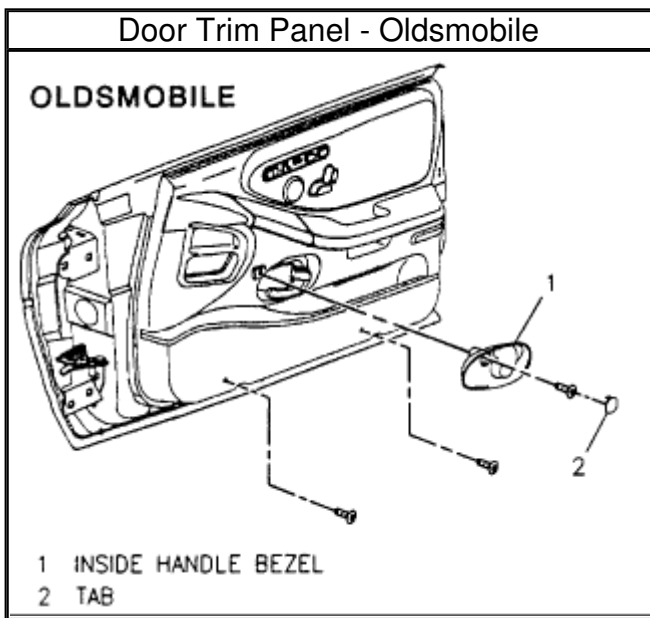
1998 Oldsmobile Aurora V8-4.0L VIN C

Vehicle Level → Body and Frame → Doors, Hood and Trunk → Front Door Panel → Service and Repair  
→ Door Trim Panel Replacement ←

Door Trim Panel Replacement

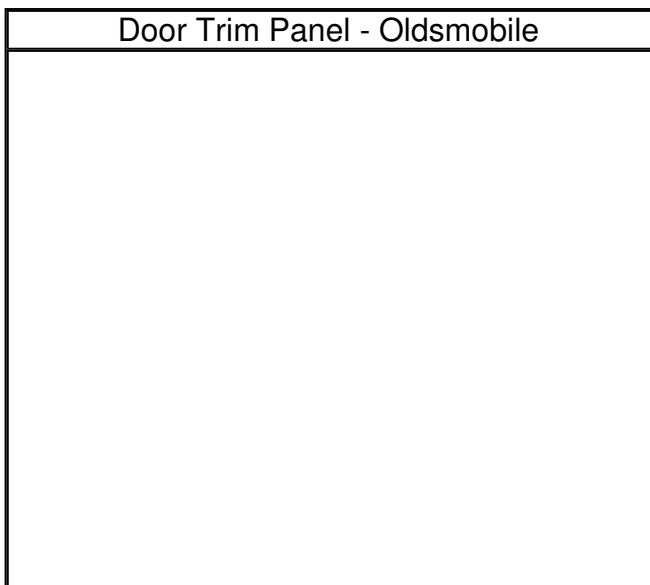
[Notes](#)

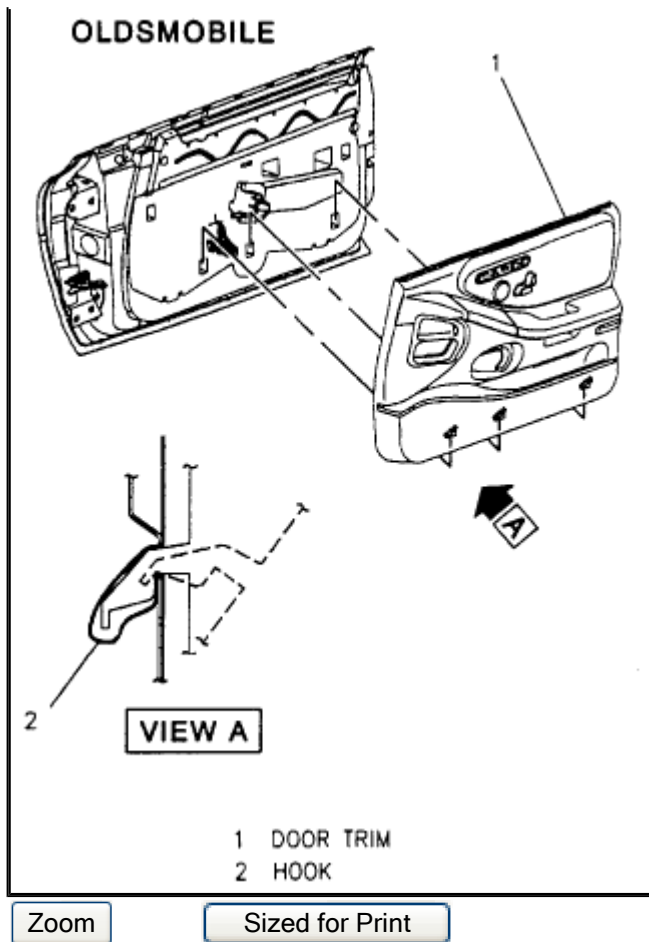
TRIM PANEL - FRONT DOOR



Zoom

Sized for Print





### REMOVE OR DISCONNECT

1. Bezel finish cover from door handle bezel by unsnapping upper tab with thin-bladed tool.
2. Door handle bezel by removing one screw, unsnapping bezel and lifting it off and over door handle.
3. Two screws from lower door under map pocket.
4. Trim panel by lifting up on trim panel to disengage hooks on backside of panel.
5. Electrical connectors.

### INSTALL OR CONNECT

1. Electrical connectors.
2. Trim panel by engaging hooks on backside of panel into door inner panel.
3. Two screws under map pocket.
4. Door handle bezel by snapping into position and one screw.
5. Bezel finish cover.

© 2010 ALLDATA LLC. All rights reserved.  
[Terms of Use](#)