

Select Vehicle | New TSBs | Technician's Reference Component Search:

OK

Conversion Calculator

2008 Mercury Truck Mariner 2WD V6-3.0L

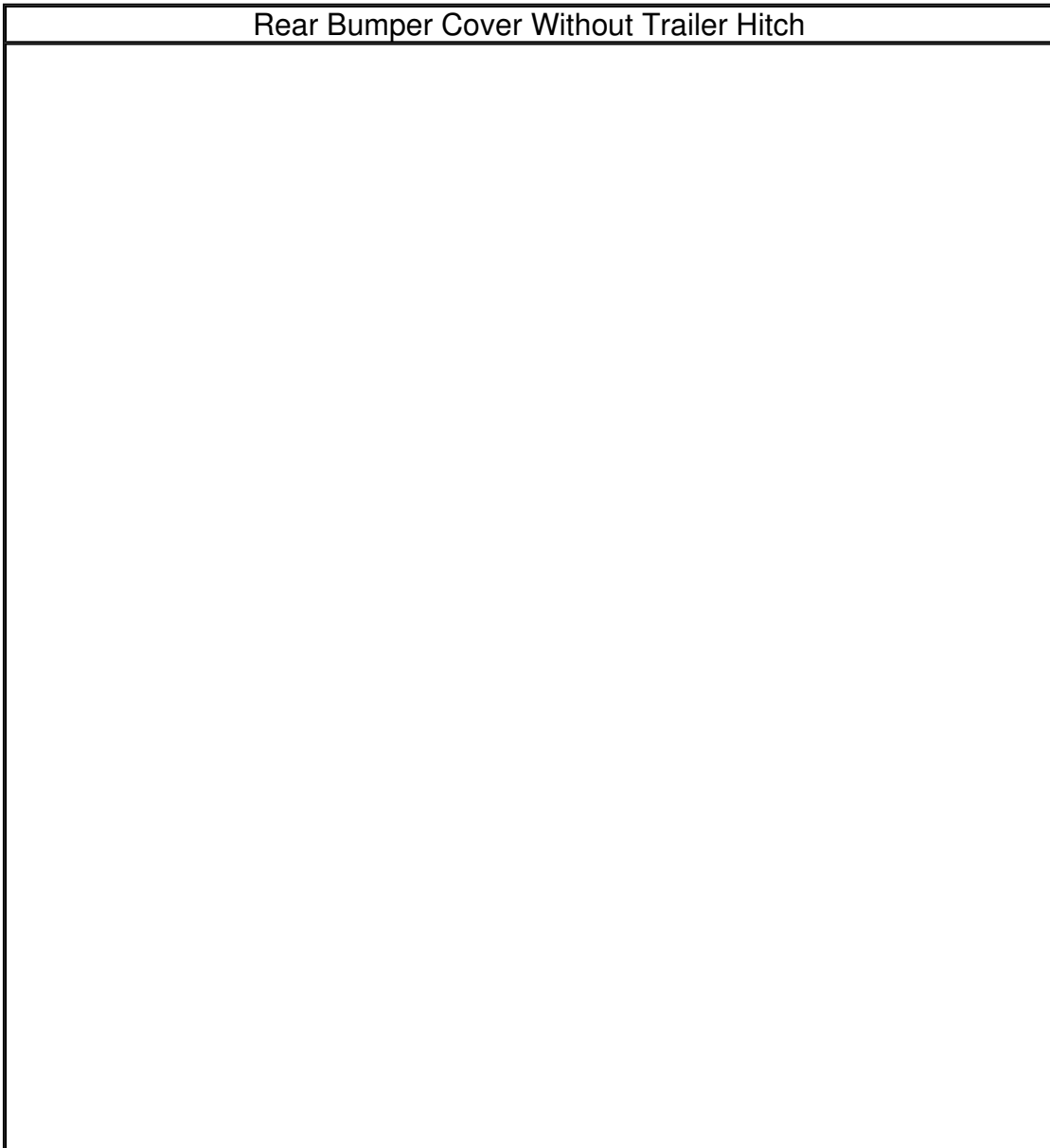
Vehicle Level → Body and Frame → Bumper → Rear Bumper Cover / Fascia → Service and Repair
→ Removal and Replacement ←

Removal and Replacement

[Notes](#)

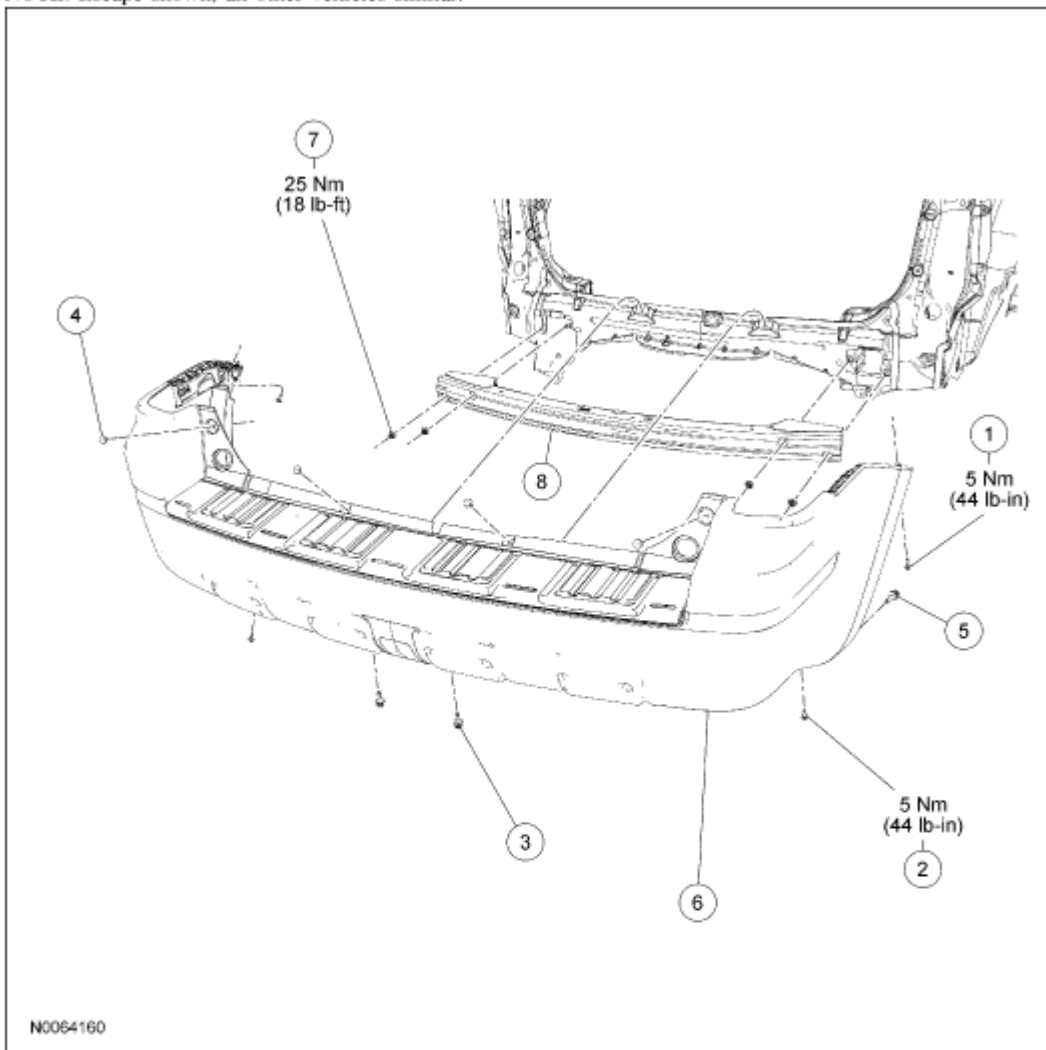
BUMPER COVER - REAR

Exploded View



Rear Bumper Cover Without Trailer Hitch

NOTE: Escape shown, all other vehicles similar.



N0064160

Item	Part Number	Description
1	W503913	Rear bumper cover upper screw (2 required)
2	W503913	Rear bumper cover lower screw (2 required)
3	W708530	Rear bumper cover lower pushpin (2 required)
4	W706607	Rear bumper cover center screw (4 required)

(Continued)

Item	Part Number	Description
5	W706713	Rear splash shield-to-bumper cover screw (2 required)
6	17775	Rear bumper cover
7	W707144	Rear bumper nut (4 required)
8	17D942	Rear bumper

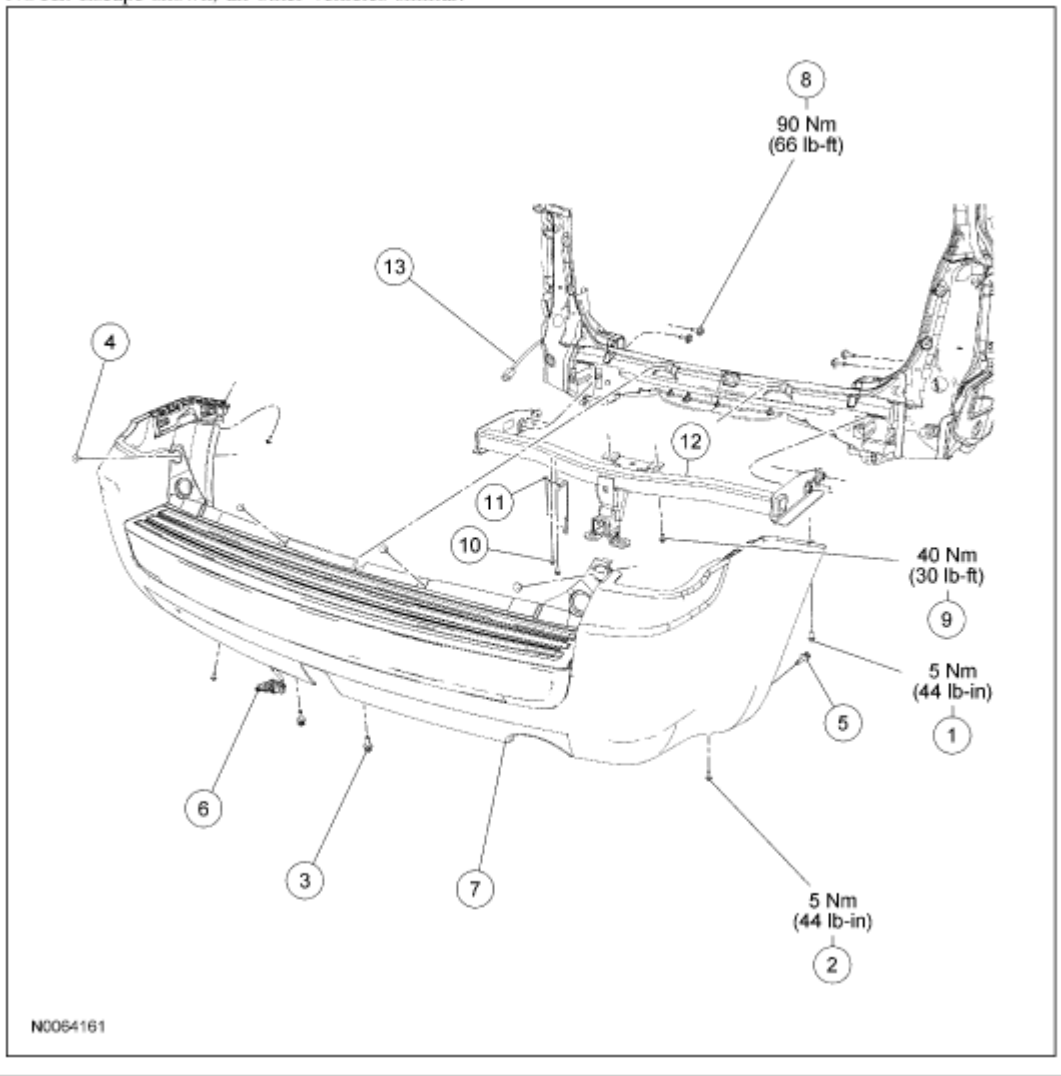
Zoom

Sized for Print

Rear Bumper Cover With Trailer Hitch (Part 1)

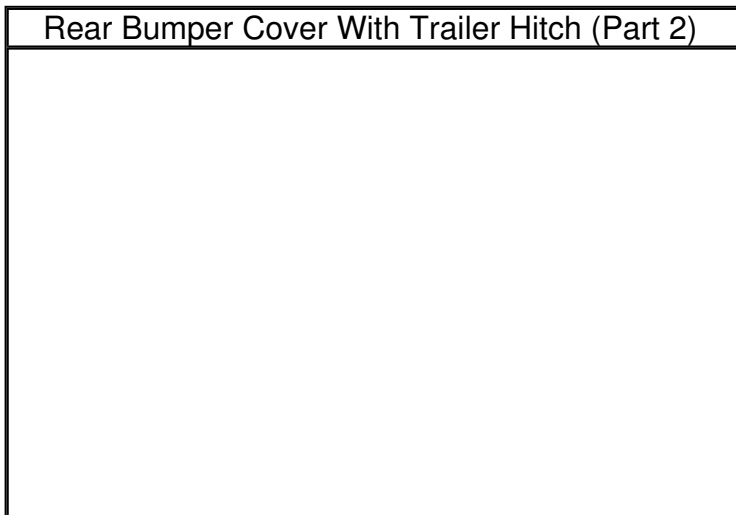
Rear Bumper Cover With Trailer Hitch

NOTE: Escape shown, all other vehicles similar.



Zoom

Sized for Print



Item	Part Number	Description
1	W503913	Rear bumper cover upper screw (2 required)
2	W503913	Rear bumper cover lower screw (2 required)
3	W708530	Rear bumper cover lower pushpin (2 required)
4	W706607	Rear bumper cover center screw (4 required)
5	W706713	Rear splash shield-to-bumper cover screw (2 required)
6	17D781	Rear bumper cover trailer hitch electrical connector
7	17775	Rear bumper cover
8	W702256	Trailer hitch-to-body bolt (4 required)
9	W500633	Trailer hitch-to-back panel bolt (2 required)
10	—	Trailer hitch electrical connector mounting bracket bolt (2 required)
11	—	Trailer hitch electrical connector mounting bracket
12	19D521	Trailer hitch
13	13A576	Trailer hitch wiring harness

Zoom

Sized for Print

Removal and Installation

1. Remove the 2 rear bumper cover lower screws (1 each side).
 - To install, tighten to **5 Nm (44 lb-in)** .
2. Remove the 4 rear bumper cover center screws.
3. Remove the 2 rear bumper cover lower pushpins.
4. Remove the 2 rear splash shield-to-rear bumper cover screws (1 each side).
5. Remove the 2 rear bumper cover upper screws (1 each side).
 - To install, tighten to **5 Nm (44 lb-in)** .
6. Remove the 2 liftgate alignment bumper bolts and the 2 liftgate alignment bumpers.
 - To install, tighten to **8 Nm (71 lb-in)** .

7. Disconnect the parking aid system or trailer tow electrical connector, if equipped.
8. Remove the rear [bumper](#) cover.
9. To install, reverse the removal procedure.
 - When installing, position the rear [bumper](#) cover into the bumper slides.

© 2010 ALLDATA LLC. All rights reserved.

[Terms of Use](#)