

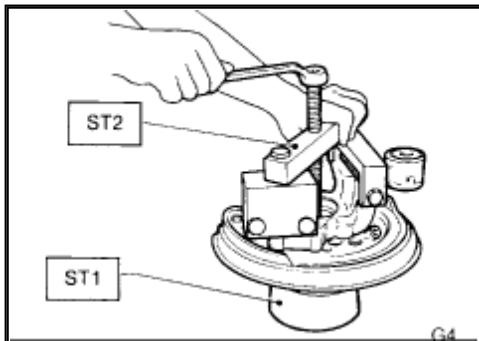
Select Vehicle | New TSBs | Technician's Reference Component Search:

OK

Conversion Calculator

**2001 Subaru Legacy GT Sedan AWD F4-2.5L SOHC**Vehicle Level → [Steering and Suspension](#) → [Suspension](#) → [Wheel Bearing](#) → [Service and Repair](#) ←**Service and Repair**[Notes](#)**TOOL REQUIRED**

- ST1 927080000 Hub Stand
- ST2 927420000 Hub Remover
- ST1 927430000 Housing Stand
- ST2 927440000 Bearing Remover
- ST2 927460000 Oil Seal Installer
- Or Equivalent

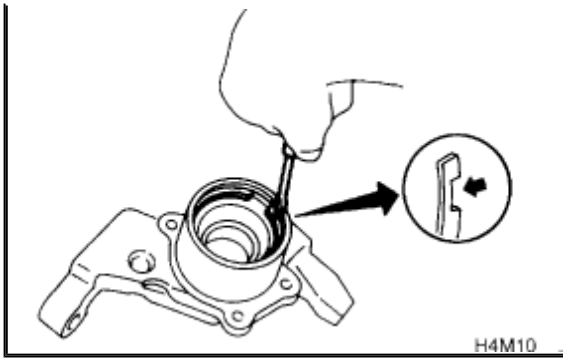
**DISASSEMBLE**

Zoom

Sized for Print

1. Remove knuckle. Refer to Steering and Suspension.
2. Using ST1 and ST2, remove hub from rear housing.
3. Remove back plate from rear housing.
4. Using a standard screwdriver, remove outer and inner oil seals. **CAUTION:** Use new oil seals.

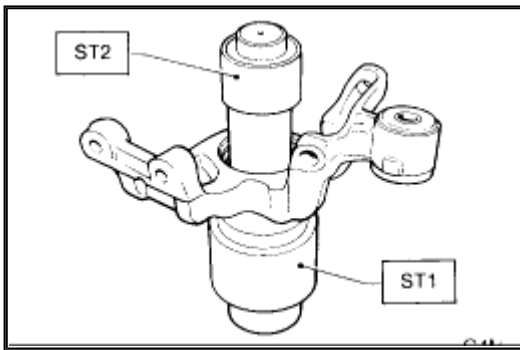




Zoom

Sized for Print

5. Using flat bladed screwdriver, remove snap ring.



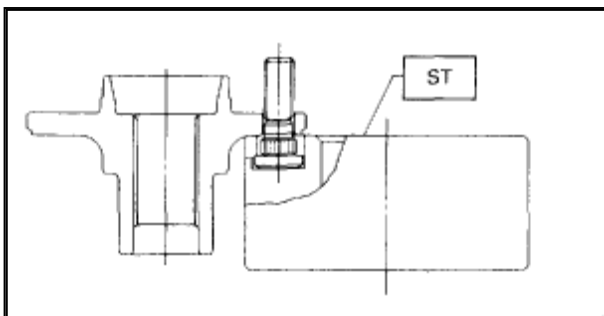
Zoom

Sized for Print

6. Using ST1 and ST2, remove bearing by pressing inner race. ST1 927430000 HOUSING STAND ST2 927440000 BEARING REMOVER **CAUTION:**

- Do not remove bearing unless damaged.
- Do not re-use bearing after removal.

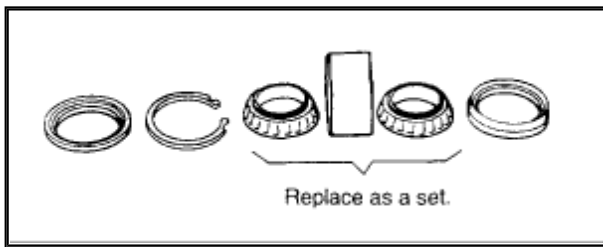
7. Remove tone wheel bolts and remove tone wheel from hub (only vehicle equipped with ABS).



Zoom

Sized for Print

8. Using ST, press hub bolt out. ST 927080000 HUB STAND. **CAUTION:** Be careful not to hammer hub bolts. This may deform hub.



Zoom

Sized for Print

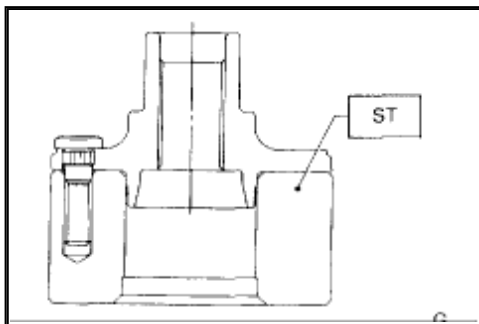
### INSPECTION

Check the removed parts for wear and damage. If defective, replace with a new one.

### CAUTION:

- If a bearing is faulty, replace it as the bearing set.
- Be sure to replace oil seal at every overhaul.

### ASSEMBLE



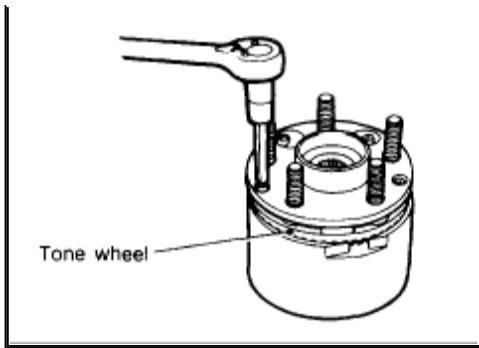
Zoom

Sized for Print

1. Using ST, press new hub bolt into place. **CAUTION:**

- Ensure hub bolt closely contacts hub.
- Use a **12 mm (0.47 inch)** hole in the **ST** to prevent hub bolt from tilting during installation.





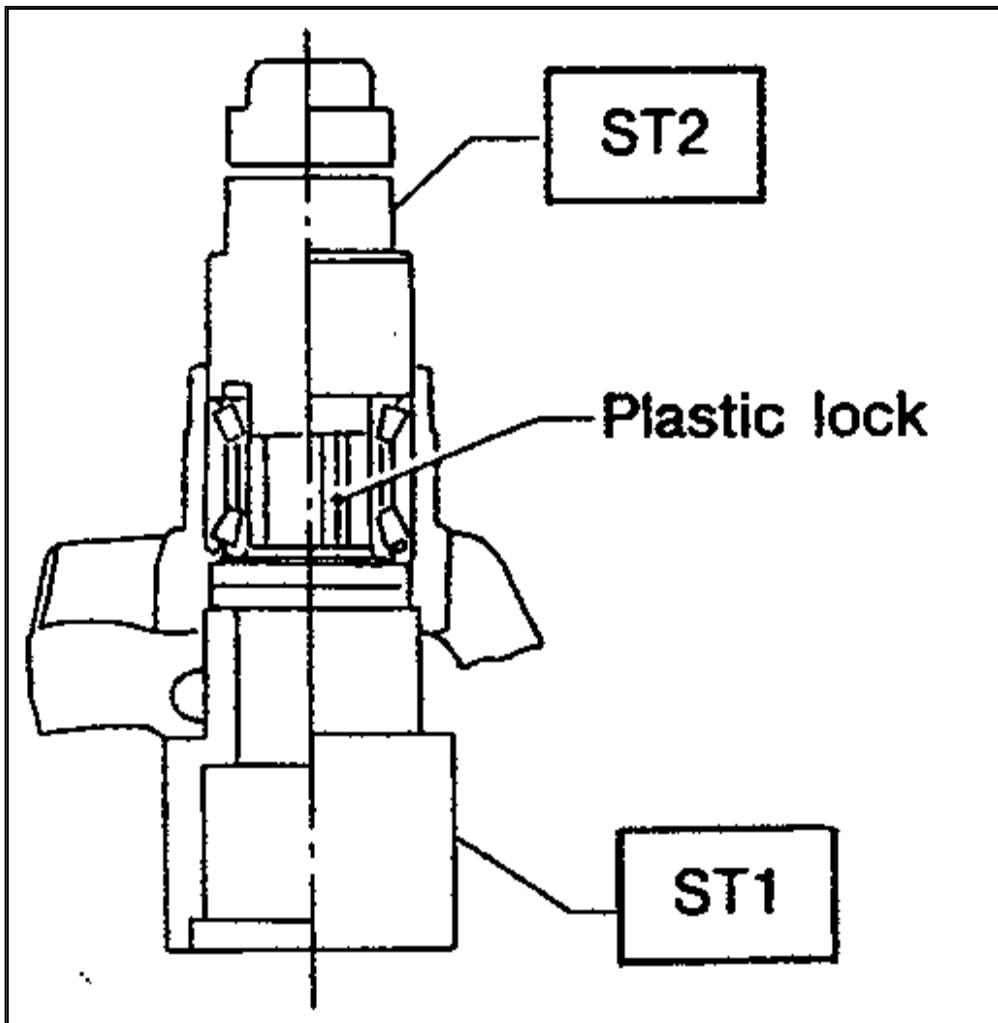
Zoom

Sized for Print

2. Remove foreign particles (dust, rust, etc.) from mating surfaces of hub and tone wheel, and install tone wheel to hub (only vehicle equipped with ABS).

**CAUTION:**

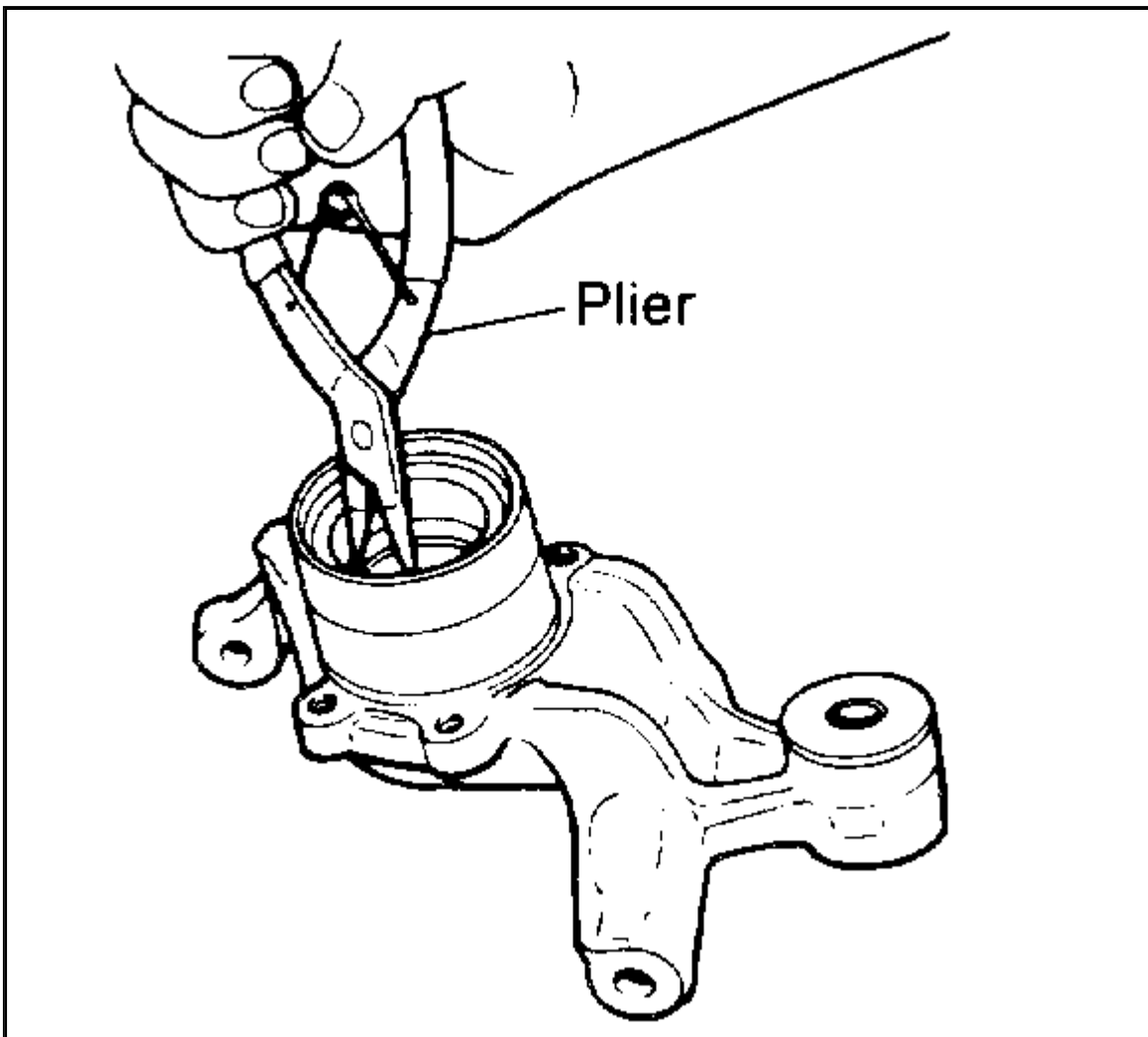
- Ensure tone wheel closely contacts hub.
- Be careful not to damage tone wheel teeth.



[Zoom](#)[Sized for Print](#)

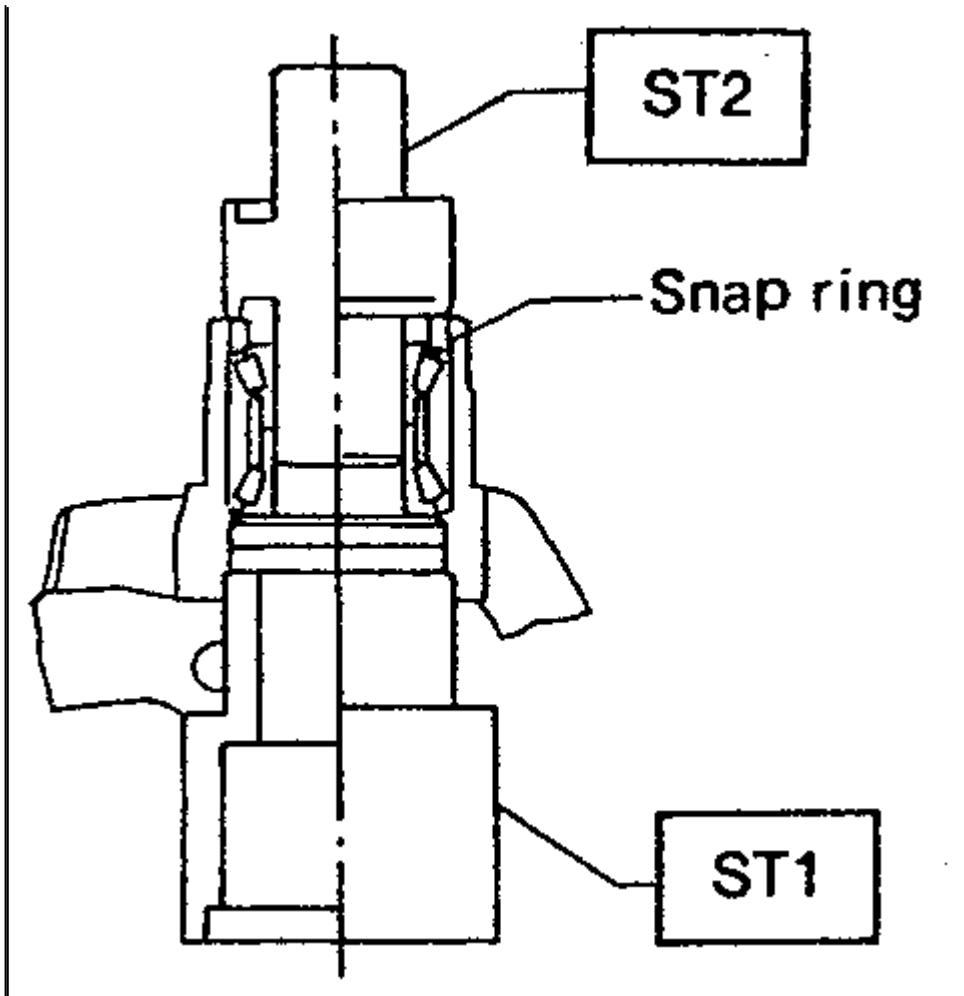
3. Clean housing interior completely. Using ST1 and ST2, press bearing into housing. **CAUTION:**

- Always press outer race when installing bearing.
- Be careful not to remove plastic lock from inner race when installing bearing.
- Charge bearing with new grease when outer race is not removed.
- Do not apply pressure more than **30 kN (3.1 ton, 2.8 US ton, 3.1 Imp ton)** .

[Zoom](#)[Sized for Print](#)

4. Using plier, install snap ring. **CAUTION:** Ensure snap ring fits in groove properly.

---

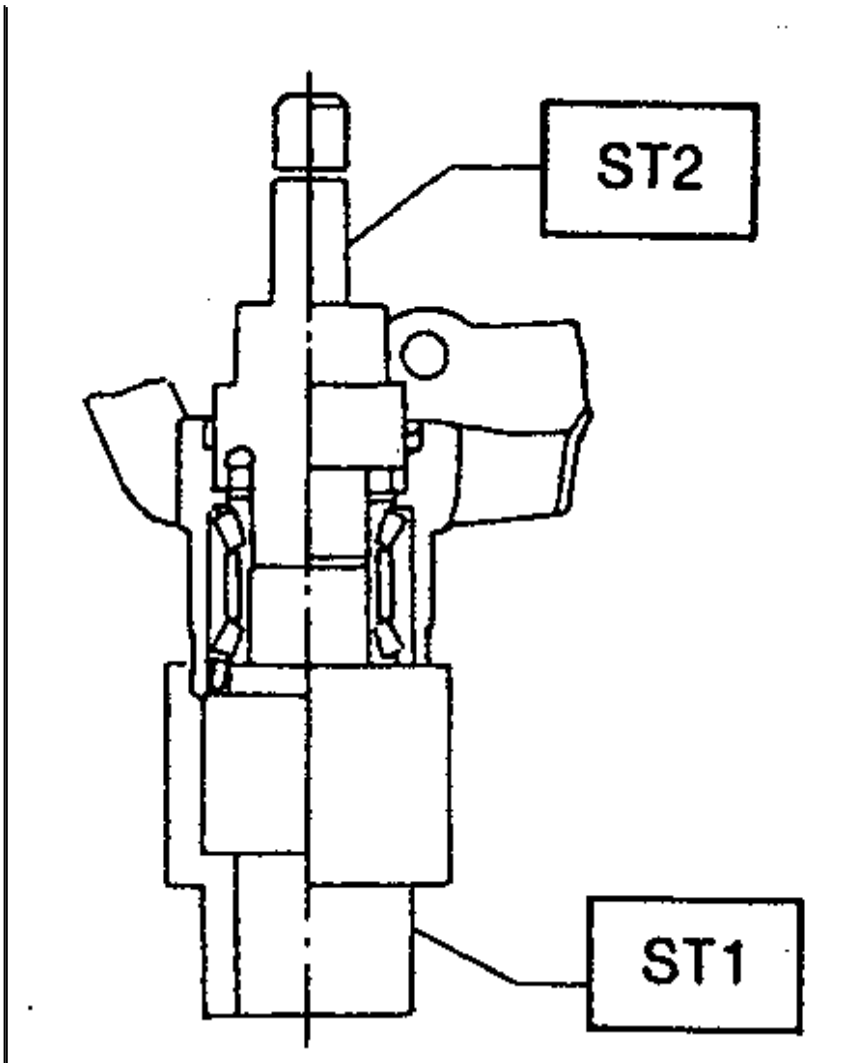


Zoom

Sized for Print

5. Using ST1 and ST2, press outer oil seal until it comes in contact with snap ring. **CAUTION:** Do not apply pressure more than **3.92 kN (0.4 ton, 0.4 US ton, 0.4 Imp ton)** .



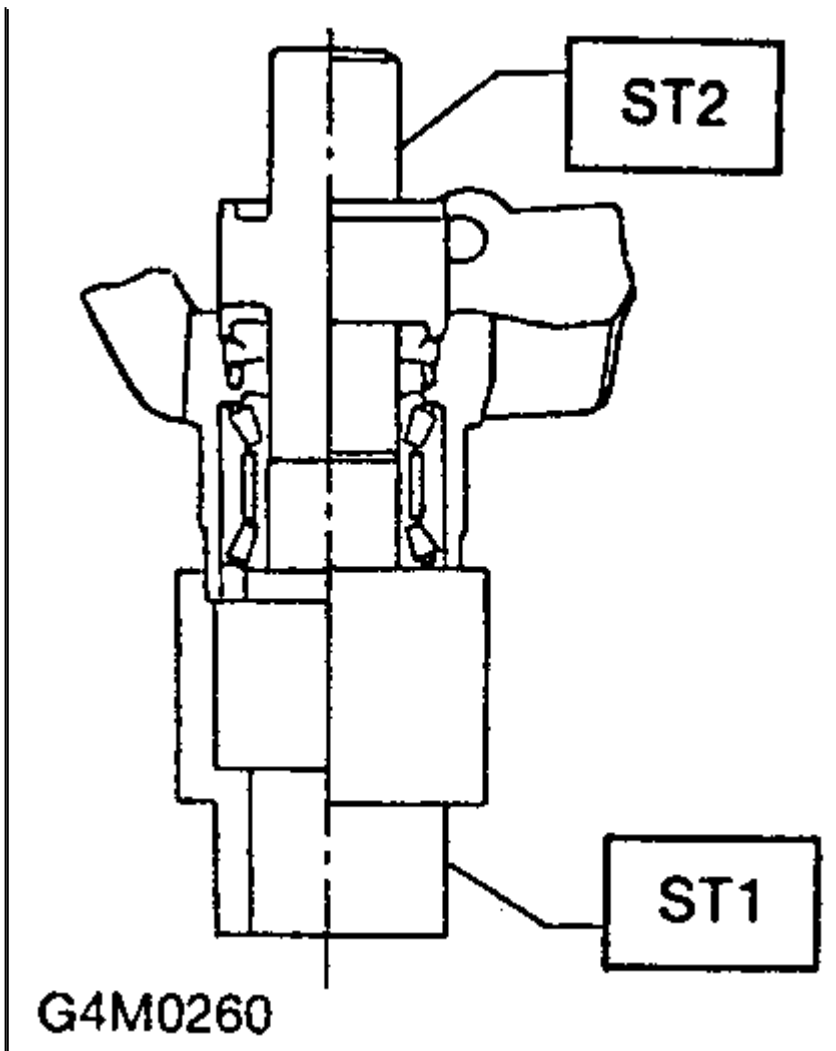


Zoom

Sized for Print

6. Invert both ST1 and housing.
7. Using ST2, press inner oil seal into housing until it touches bottom. ST1 927430000 HOUSING STAND ST2 927460000 OIL SEAL INSTALLER





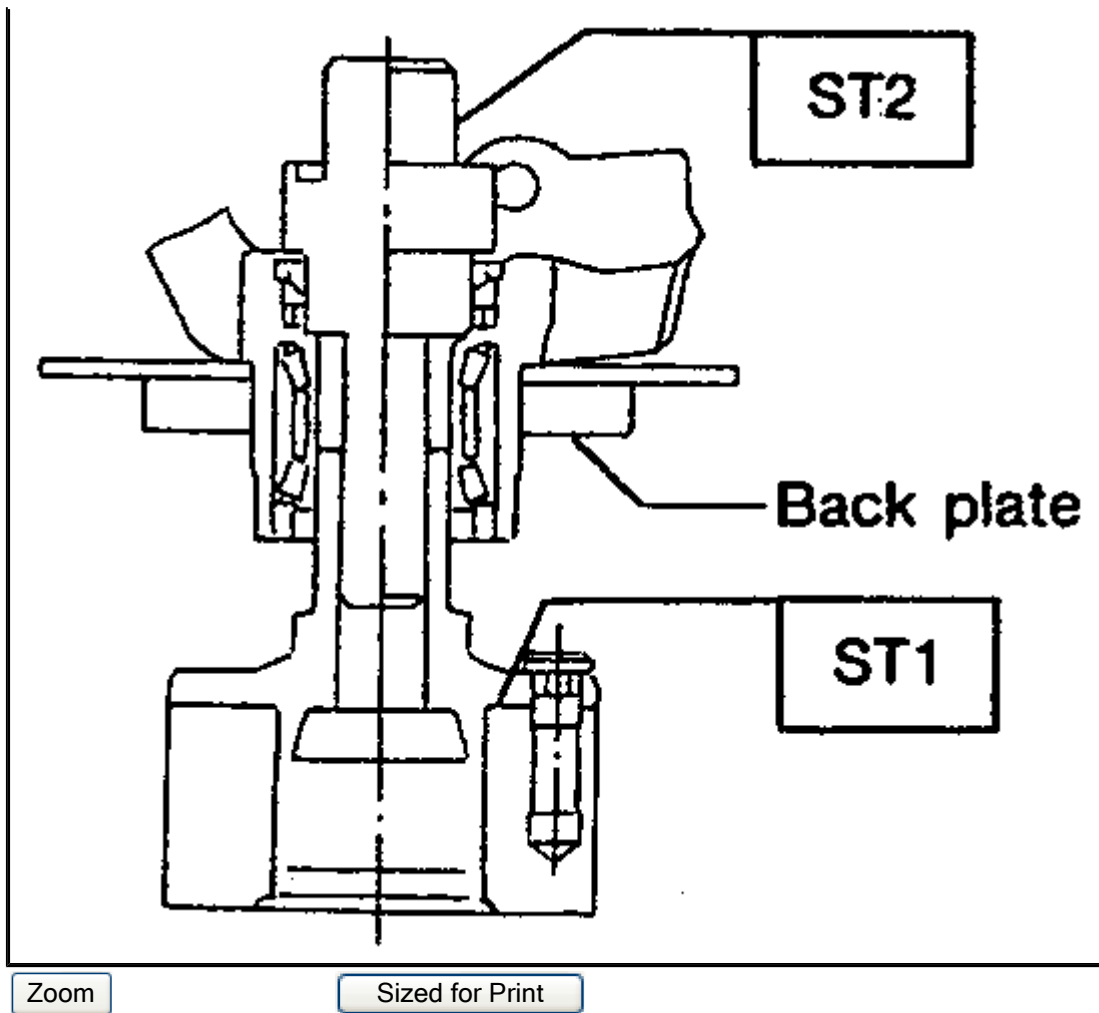
Zoom

Sized for Print

8. Using ST1 and ST2, press sub seal into place.
9. Apply sufficient grease to oil seal lip. Specified grease: SHELL 6459N  
**CAUTION:**
  - Do not apply pressure more than **3.92 kN (0.4 ton, 0.4 US ton, 0.4 Imp ton)** .
  - If specified grease is not available, remove bearing grease and apply **Auto Rex A** instead.
  - Do not mix different types of grease.
10. Install back plate to rear housing. Tightening torque:**52 ±6 Nm (38.3 ±4.3 ft. lbs.)** .



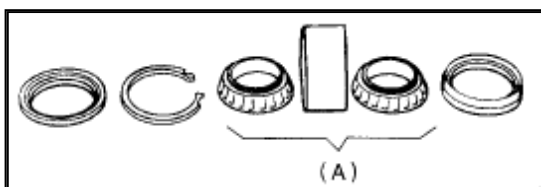




- Using ST1 and ST2, press bearing into hub. ST1 927080000 HUB STAND  
ST2 927450000 HUB INSTALLER **CAUTION:** Do not apply pressure more than **25 kN (2.5 ton, 2.3 US ton, 2.5 Imp ton)** .

### INSPECTION

- Inspect the rattle of bearing, give the [tires](#) a shake with grasping both the upper and lower sides of the tire. And also inspect to rotate the wheel smoothly.
- The lean of axis direction: Limit: Maximum **0.05mm (0.0020 in)** .



3. Inspect the removed parts for wear and damage. If defective replace with new ones. **CAUTION** : If bearing is faulty, replace it as the bearing set. Be sure to replace oil seal at every overhaul.
4. Install knuckle.

© 2010 ALLDATA LLC. All rights reserved.  
[Terms of Use](#)