

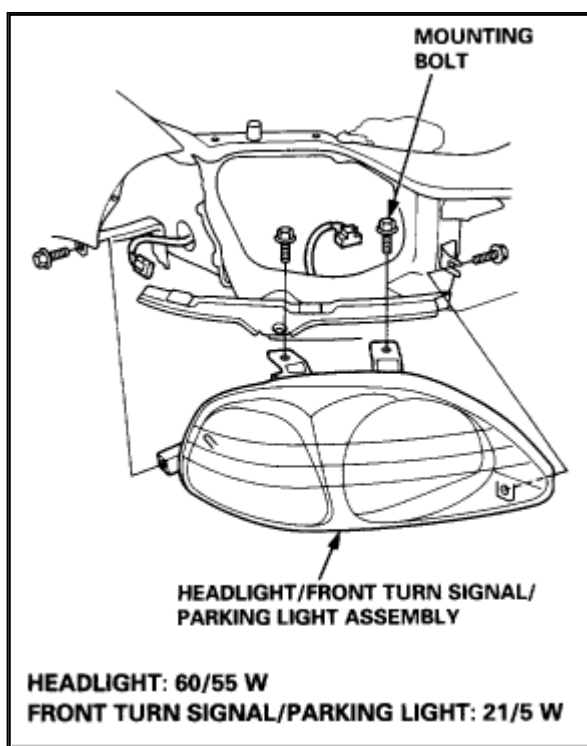
1996 Honda Civic Sedan L4-1.6L SOHC (16 Valve)

Vehicle Level → Lighting and Horns → Headlamp → Service and Repair ←

Service and Repair[Notes](#)

CAUTION: Halogen headlights become very hot in use; do not touch them or the attaching hardware immediately after they have been turned off.

1. Remove the front bumper.
2. Remove the mounting bolts.



Zoom

Sized for Print

3. Disconnect each connector, then remove the headlight/front turn signal/parking light assembly.