

[Home](#) | [Account](#) | [Contact ALLDATA](#) | [Log Out](#) | [Help](#)

PAUL REDEHOFT

[Select Vehicle](#) | [New TSBs](#) | [Technician's Reference](#) Component Search:

OK

Conversion Calculator

2005 Cadillac DeVille V8-4.6L VIN Y[Vehicle Level](#) → [Windows and Glass](#) → [Front Door Window Regulator](#) → [Service and Repair](#) ←

Service and Repair

[Notes](#)

Window Regulator Replacement - Front Door

Removal Procedure

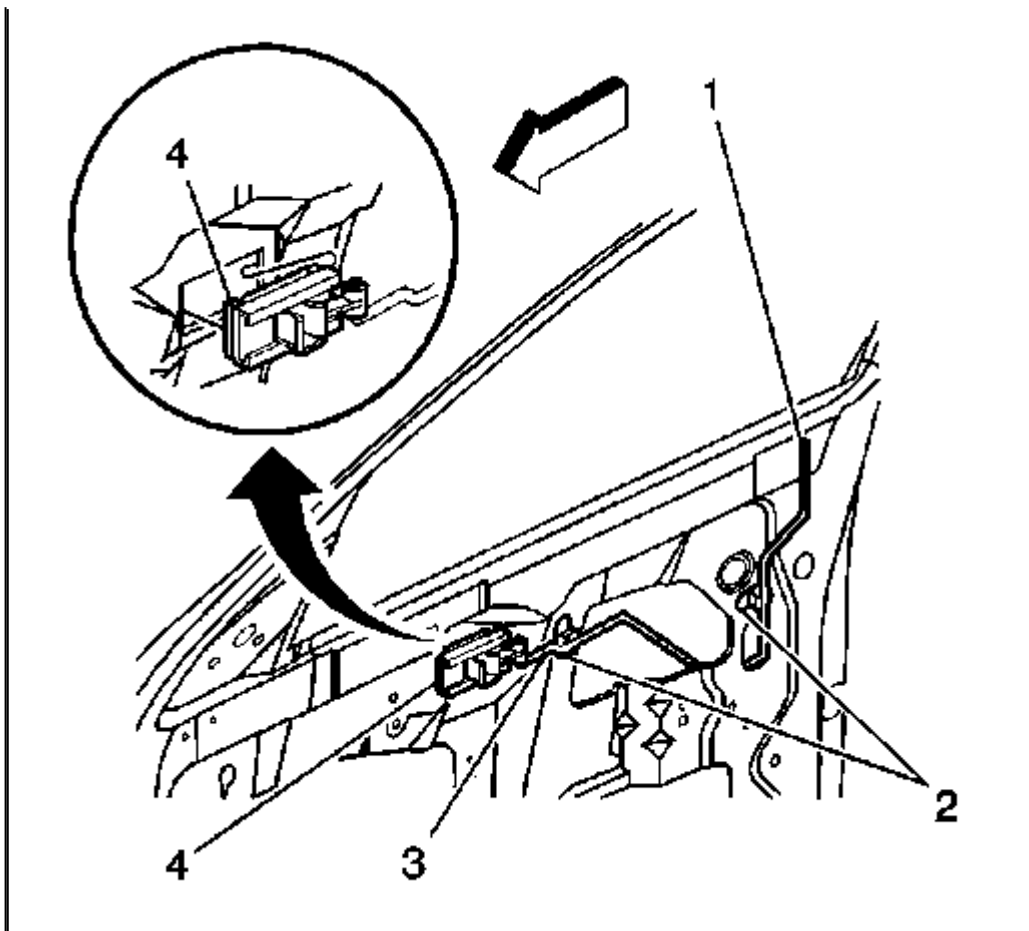
Caution: Refer to Express Window Down Caution in Cautions and Notices.

Important: This vehicle is equipped with express up, torque sensitive window on the front door windows.

When the battery or the power has been removed from the front [door module](#), the front door module will need to be reprogrammed after power is restored and all repairs are completed.

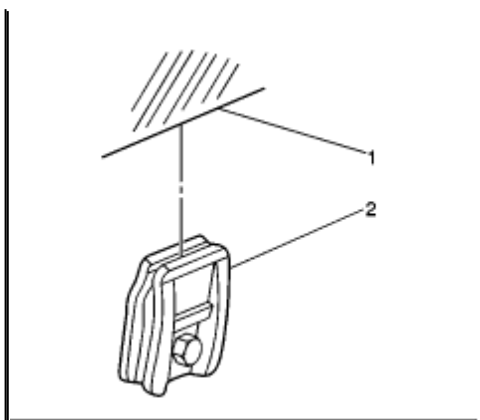
1. Remove the door [trim panel](#). Refer to Trim Panel Replacement - Side Front Door (Standard) ([See: Body and Frame\Doors, Hood and Trunk\Front Door Panel\Service and Repair\Front Door Panel Replacement\Trim Panel Replacement - Side Front Door \(Standard\)](#)) Trim Panel Replacement - Side Front Door (WC2, WC8) ([See: Body and Frame\Doors, Hood and Trunk\Front Door Panel\Service and Repair\Front Door Panel Replacement\Trim Panel Replacement - Side Front Door \(WC2, WC8\)](#)) .
2. Remove the [door module](#). Refer to Door Control Module Replacement () .
3. Remove the water deflector. Refer to Water Deflector Replacement - Front Door ([See: Body and Frame\Doors, Hood and Trunk\Front Door Panel\Service and Repair\Front Door Panel Components](#)) .



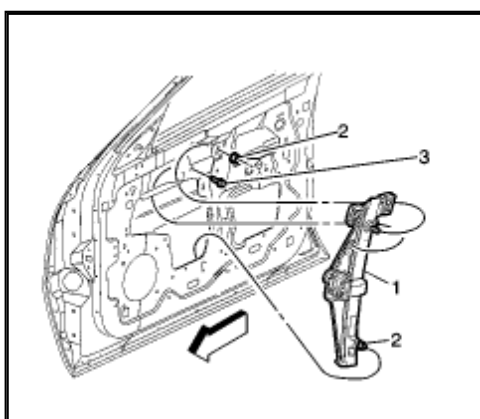
[Zoom](#)[Sized for Print](#)

4. Remove the inside handle assembly (4) in order to gain access to the window clamp attachment bolts:
 1. Carefully pry the front of the assembly (4) rearward.
 2. Pull the front of the assembly (4) outward.
 3. Slide the assembly (4) rearward to remove.
5. Disconnect the handle rod (3) from the clip guide (2). **Caution:** Refer to Express Window Down Caution in Cautions and Notices.
6. Reconnect the power window switch and module.
7. Raise the window to the full up position.
8. Tape the window in place. **Caution:** Refer to Glass and Sheet Metal Handling Caution in Cautions and Notices.



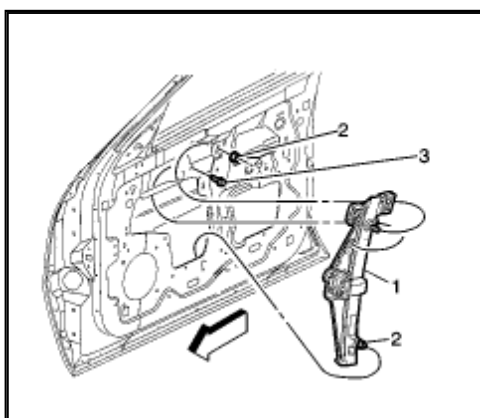
[Zoom](#)[Sized for Print](#)

9. Loosen the window clamp attachment fasteners.
10. Lower the regulator clamps (2) to the full down position.

[Zoom](#)[Sized for Print](#)

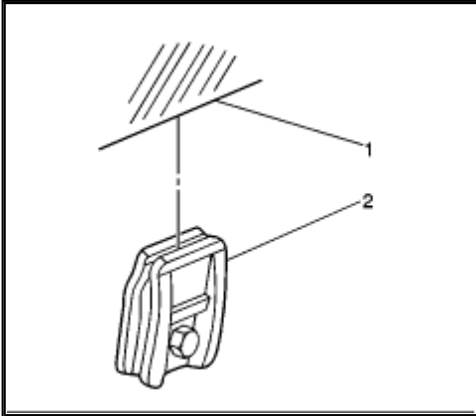
11. Disconnect the electrical connector from the window regulator motor.
12. Remove the window regulator to inner door panel fasteners (2, 3).
13. Remove the window regulator (1) from the inner door panel.

Installation Procedure



[Zoom](#)[Sized for Print](#)

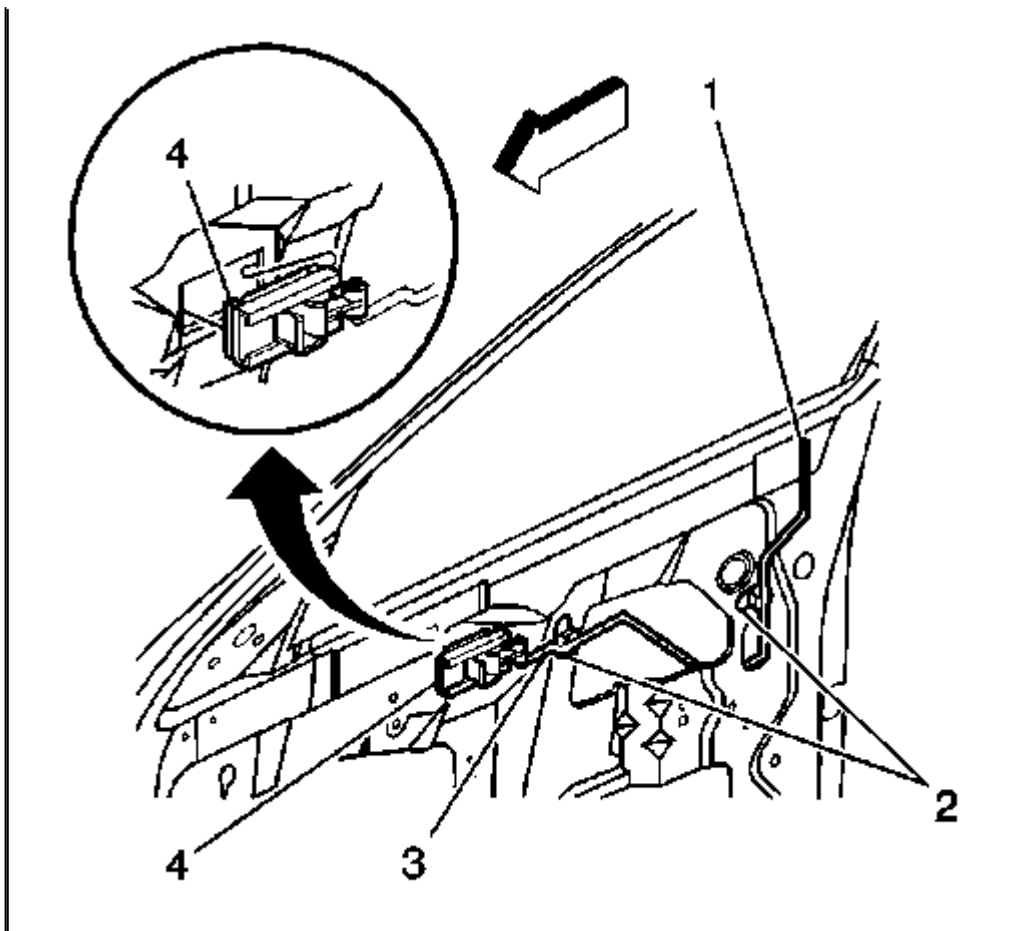
1. Install the window regulator (1) through the access hole of the inner door panel. **Notice:** Refer to Fastener Notice in Cautions and Notices.
2. Install the window regulator fasteners (2, 3). **Tighten the fasteners to 9 N.m (80 lb in).**
3. Connect the electrical connector to the window regulator motor.

[Zoom](#)[Sized for Print](#)

Important: Ensure that the rubber insulators are properly attached to the window regulator clamps.

4. Carefully raise the window regulator clamps (2) to the full up position, engaging the window (1).
5. Remove the tape from the window.
6. Complete the following to properly position the window:
 1. Lower the window approximately two inches.
 2. Seat the window fully rearward against the center pillar.
 3. Adjust the window forward 2-3 mm (5/64-1/8 in).
 4. Set the glass with the clamp fasteners. **Tighten the window clamp fasteners to 10.5 N.m (93 lb in).**
7. Disconnect the power window switch and module.





Zoom

Sized for Print

8. Position the rear of the inside handle assembly (4) into the opening of the inner panel.
9. Press the front of the assembly (4) inward until it fully engages the inner panel.
10. Connect the handle rod (3) to the clip guide (2).
11. Install the water deflector. Refer to [Water Deflector Replacement - Front Door](#) (See: [Body and Frame\Doors, Hood and Trunk\Front Door Panel\Service and Repair\Front Door Panel Components](#)) .
12. Install the [door module](#). Refer to [Door Control Module Replacement](#) () .
13. Install the door [trim panel](#). Refer to [Trim Panel Replacement - Side Front Door \(Standard\)](#) (See: [Body and Frame\Doors, Hood and Trunk\Front Door Panel\Service and Repair\Front Door Panel Replacement\Trim Panel Replacement - Side Front Door \(Standard\)](#))[Trim Panel Replacement - Side Front Door \(WC2, WC8\)](#) (See: [Body and Frame\Doors, Hood and Trunk\Front Door Panel\Service and Repair\Front Door Panel Replacement\Trim Panel Replacement - Side Front Door \(WC2, WC8\)](#)) .
14. Reprogram the front [door module](#). Refer to [Window Motor Programming - Express Function](#) () .

© 2010 ALLDATA LLC. All rights reserved.
[Terms of Use](#)